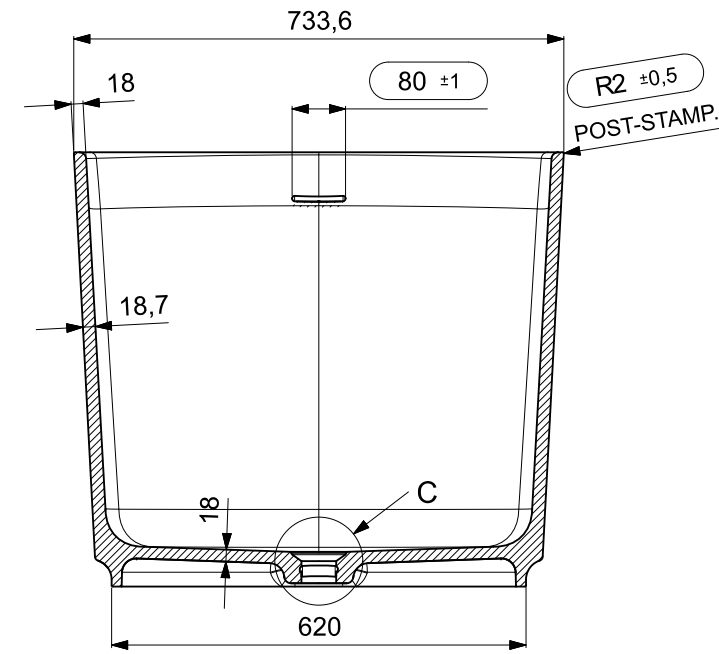
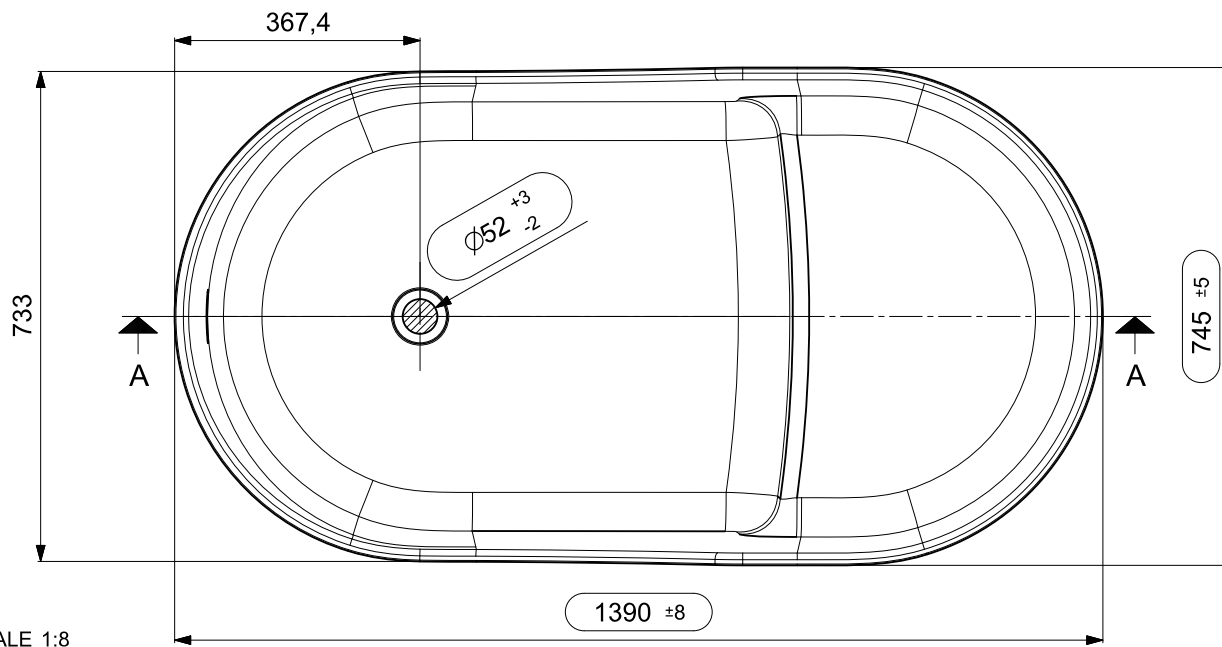


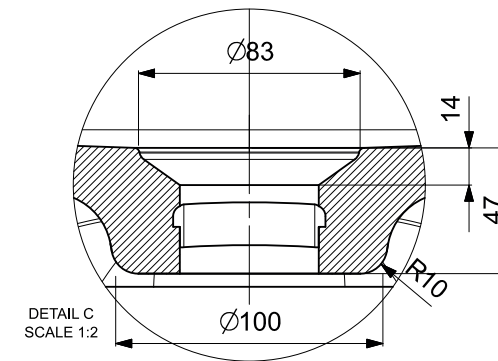
SECTION A-A
SCALE 1:8



SECTION B-B
SCALE 1:8



SCALE 1:8



DETAIL C
SCALE 1:2

N°	DATA/Date	FIRMA/drawn by	DESCRIZIONE REVISIONE/Revision description
1			

NOTE/Notes		N° STAMPO/Mould Number
.....		C01537AB16
.....		PROG. 24-068
.....		PESO NETTO/Weight
.....		Kg. 99
.....		D. 1300 kg/m ³
.....		DATA REV. 0/Date Rev. 0
.....		21/02/2025
CLIENTE/Client	MODELLO/Model	EMESSO/Drawn by
NICOS INT.	VIESTE	A. MANIAGO
DENOMINAZIONE/Product Name		VERIFICATO/Checked by
BATHTUB		A. MANIAGO
TUTTE LE QUOTE E TOLLERANZE INDICATE IN QUESTO DISEGNO SI RIFERISCONO A MISURAZIONI EFFETTUATE AD UNA TEMPERATURA DEL MANUFATTO DI 20°C +/-5°C.		PROIEZIONE/Projection
All the dimensions and the tolerances of this drawing are referred to measurements taken with a temperature of the piece of 20°C +/-5°C.	