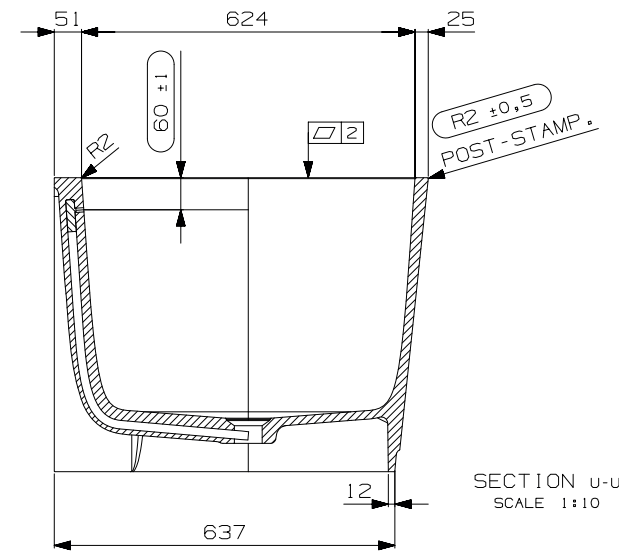
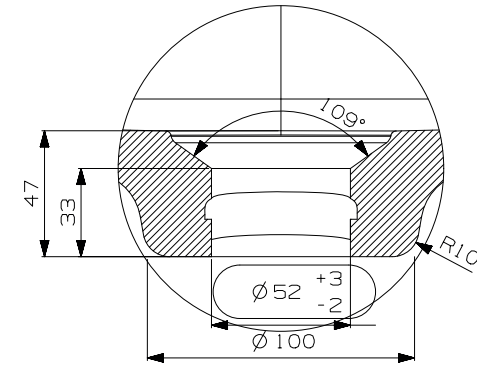
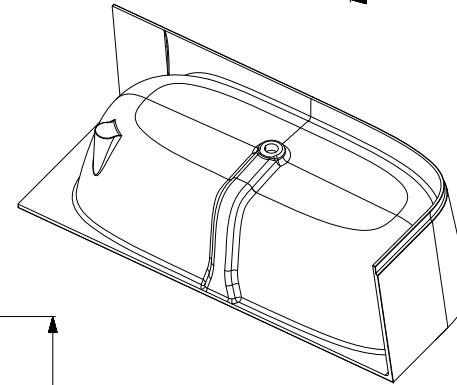


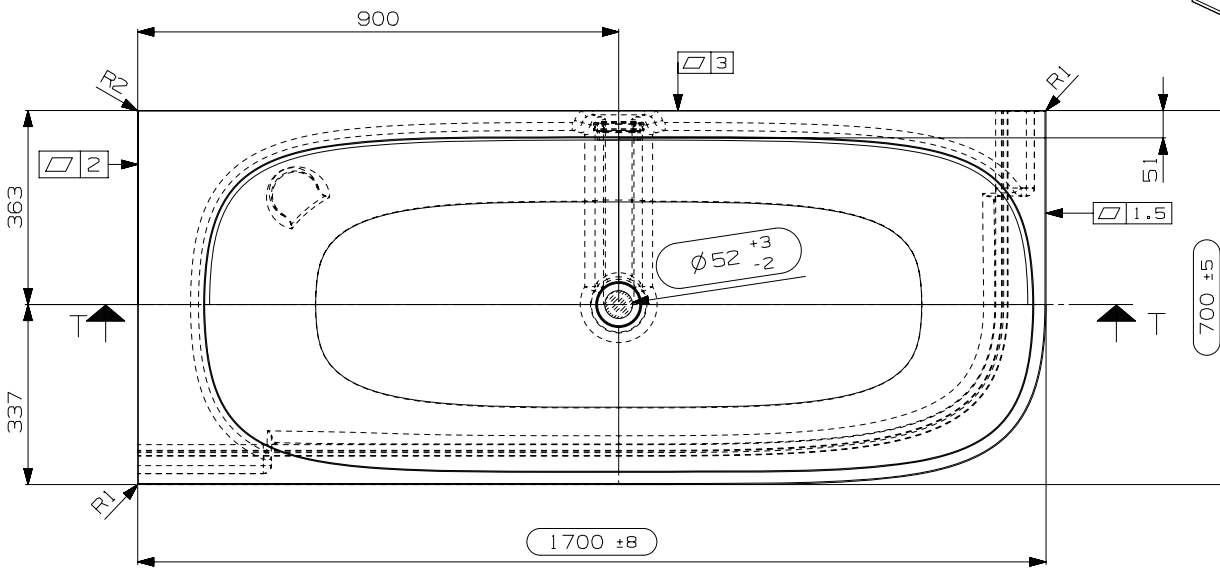
SECTION T-T
SCALE 1:10



SECTION U-U
SCALE 1:10



DETAIL V
SCALE 1:2



SCALE 1:10

N° DATA/Date	FIRMA/drawn by	DESCRIZIONE REVISIONE/Revision description
1		

NOTE/Notes		N° STAMPO/Mould Number
.....		C01510AB16
.....		PROG.20-043
.....		PESO NETTO/Weight
.....		Kg.80
.....		DATA REV.0/Date Rev.0
.....		22/01/2025
CLIENTE/Client	MODELLO/Model	EMESSO/Drawn by
NICOS	SORRENTO CORNER	ELISABETTA F.
DENOMINAZIONE/Product Name		VERIFICATO/Checked by
BATHTUB LEFT		ANDREA M.