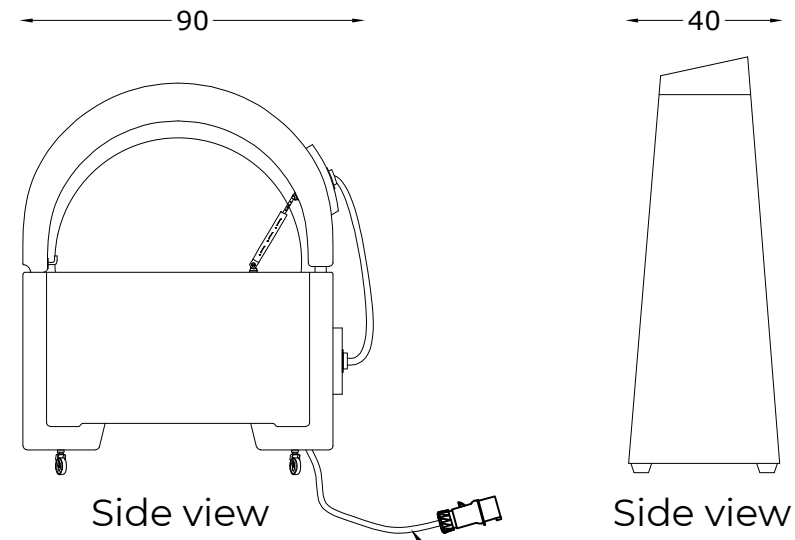


Front view

(minimum room for access 100Lx200H cm.
minimum curve ray for access:140cm.)



Side view

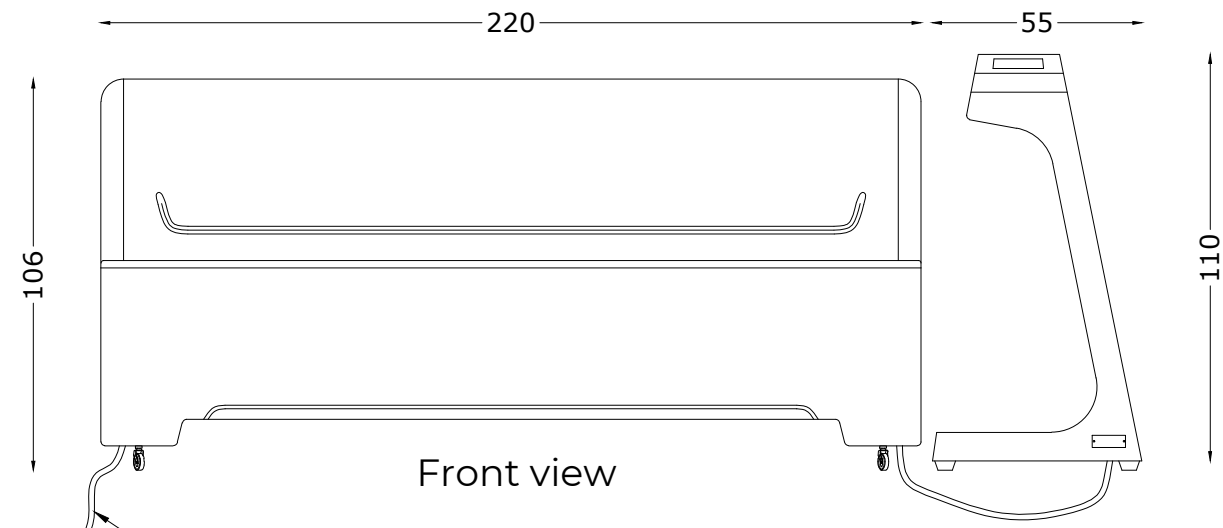
Side view

2.5 m cable for power supply

Note: It is mandatory to keep the room temperature at 24/25°C and a humidity around 40%

Note: Avoid areas with heating devices and high humidity

Note: Install in a place with good air circulation

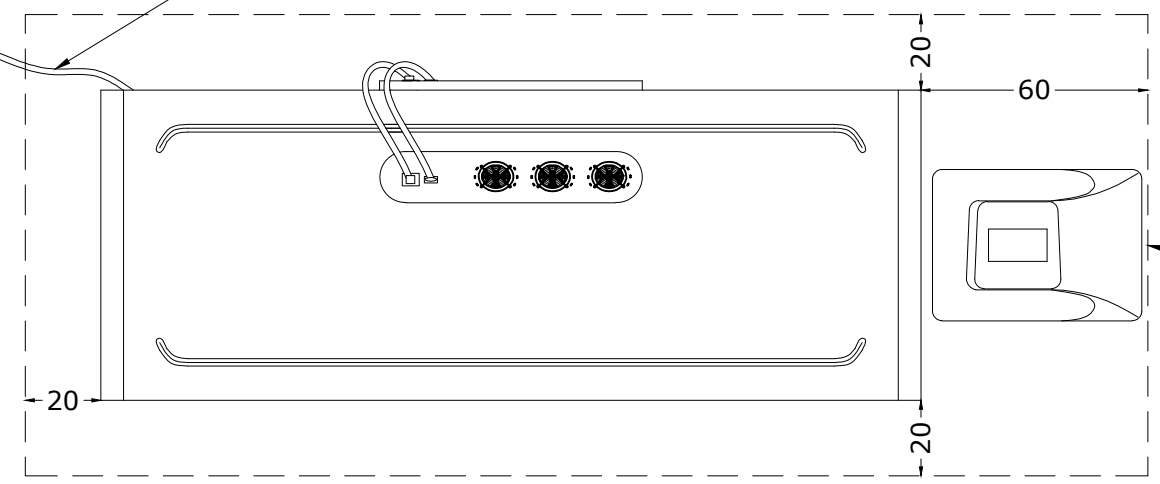


Front view

Front view

2.5 m cable for power supply

Socket 32A - 230V 2P+T



Plan

Clear area around the Fotobiomodulazione

PHOTOBIMODULATION TECHNICAL DATA

DIMENSION	220L x 106P x 90H cm Chamber
NET WEIGHT	55L x 40P x 110H cm External Controller
POWER SUPPLY	220 kg
FREQUENCY	230 Vac protected by suitable thermal-magnetic and differential switch
MAX POWER	50 - 60 Hz
	3900 Watt / 16,95 A

product's code	consignor STARPOOL	material	designer G.T.	Allowance requested
product PHOTOBIMODULATION	thermal treatment	superficial treatment	notes	projection
detail TECHNICAL DRAWING	review 02	date 12/12/2025	scale 1:20	unit of measurement CENTIMETERS



According to the Law, this printout cannot be reproduced nor communicated to third parties, without the previous and expressed authorization of the owner.