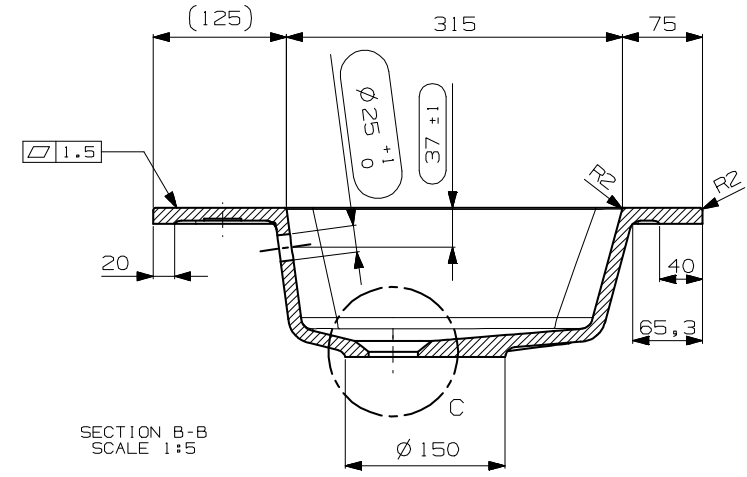
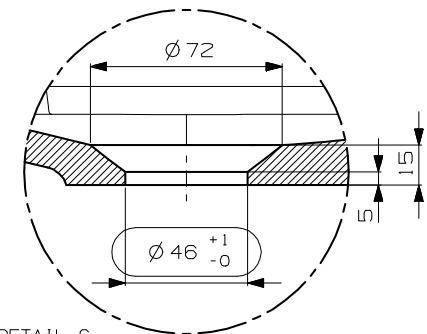
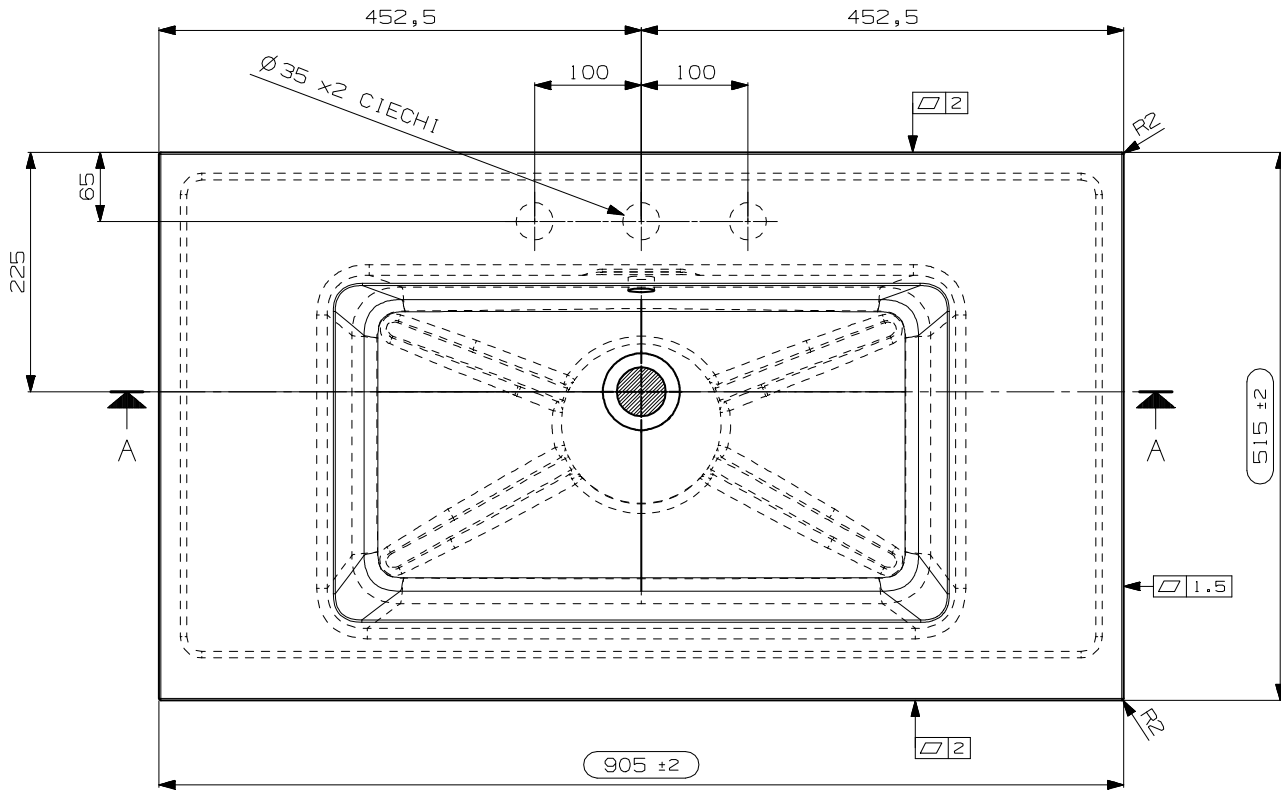


SECTION A-A  
SCALE 1:5



SECTION B-B  
SCALE 1:5



DETAIL C  
SCALE 1:2

N° DATA/Date	FIRMA/drawn by	DESCRIZIONE REVISIONE/Revision description
1		

NOTE/Notes		N° STAMPO/Mould Number
.....		<b>MOB274A</b>
VEDI SCHEDE ALLEGATE		Prog. 20-040
.....		PESO NETTO/Weight
.....		Kg. 16
.....		(D. 2000 kg/m <sup>3</sup> )
.....		DATA REV.0/Date Rev.0
.....		03/07/2020
CLIENTE/Client	MODELLO/Model	EMESSO/Drawn by
NICOS INT.	MAX	FABRIZIO D.
DENOMINAZIONE/Product Name		VERIFICATO/Checked by
LAVABO 90x51,5 S/F - C/TP		A. MANIAGO
TUTTE LE QUOTE E TOLLERANZE INDICATE IN QUESTO DISEGNO SI RIFERISCONO A MISURAZIONI EFFETTUATE AD UNA TEMPERATURA DEL MANUFATTO DI 20°C +/-5°C.		PROIEZIONE/Projection
All the dimensions and the tolerances of this drawing are referred to measurements taken with a temperature of the piece of 20°C +/-5°C.		