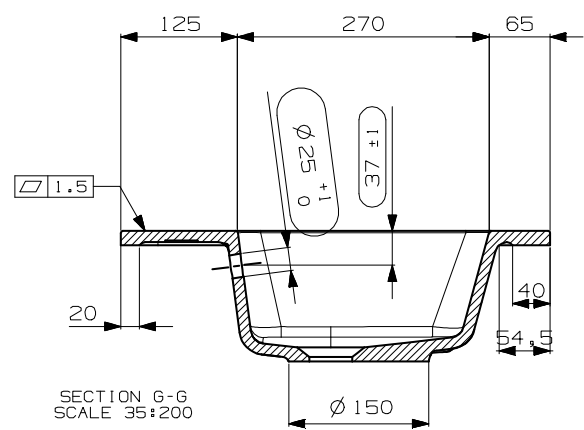
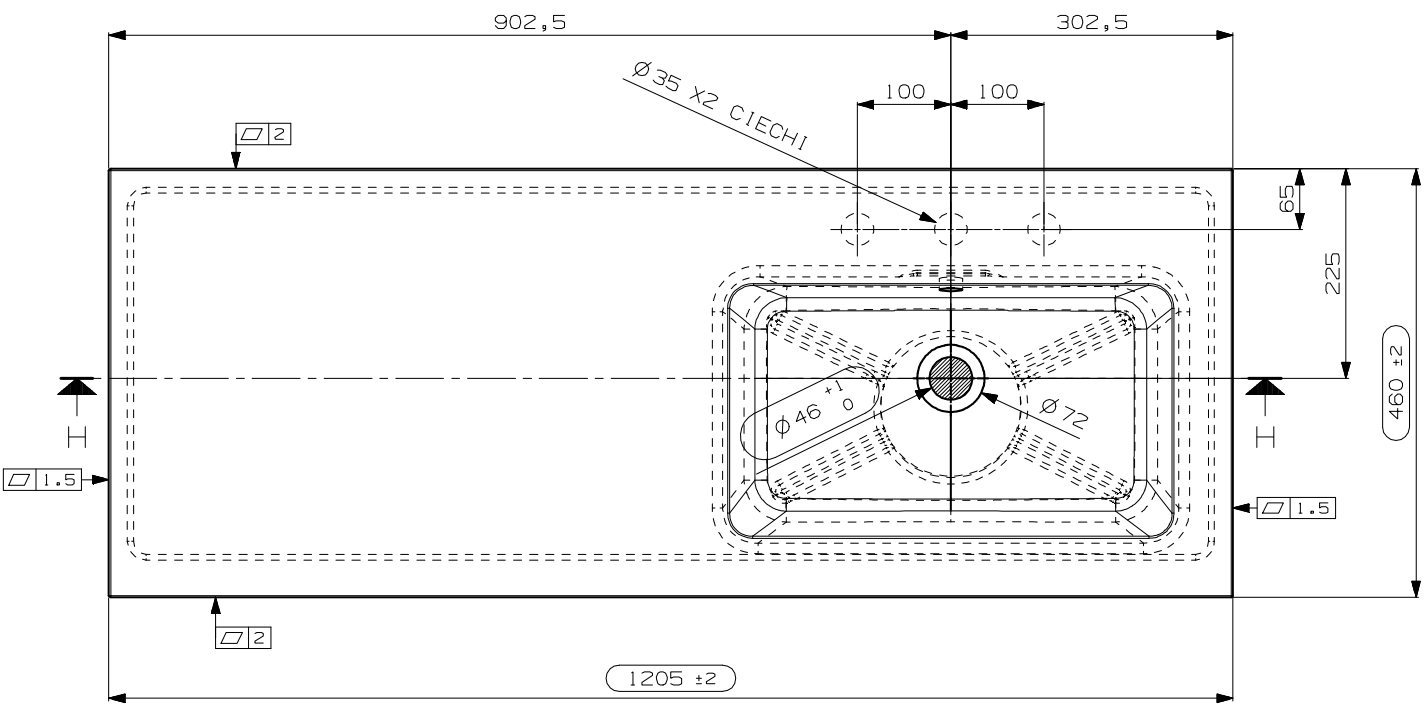


SECTION H-H
SCALE 35:200

CALIBRARE



SECTION G-G
SCALE 35:200



N° DATA/Date	FIRMA/drawn by	DESCRIZIONE REVISIONE/Revision description
1		

NOTE/Notes	N° STAMPO/Mould Number
.....	MOB209A
.....	Prog. 18-146
.....	PESO NETTO/Weight
.....	Kg. 17,5
.....	DATA REV.0/Date Rev.0
.....	18/06/2020
.....	CLIENTE/Client
.....	NICOS INT.
.....	MODELLO/Model
.....	MAX
.....	EMESSO/Drawn by
.....	S. SANTAROSSA
.....	DENOMINAZIONE/Product Name
.....	LAVABO DX 120x46 VASCA 48 S/F - C/TP
.....	VERIFICATO/Checked by
.....	A. MANIAGO