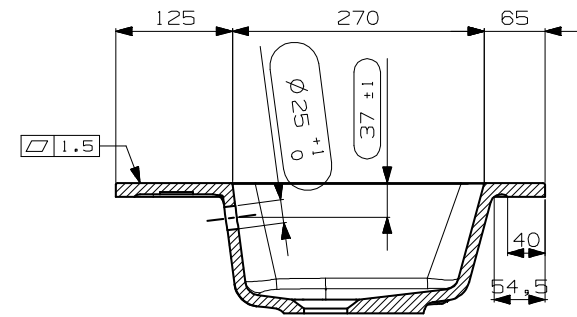
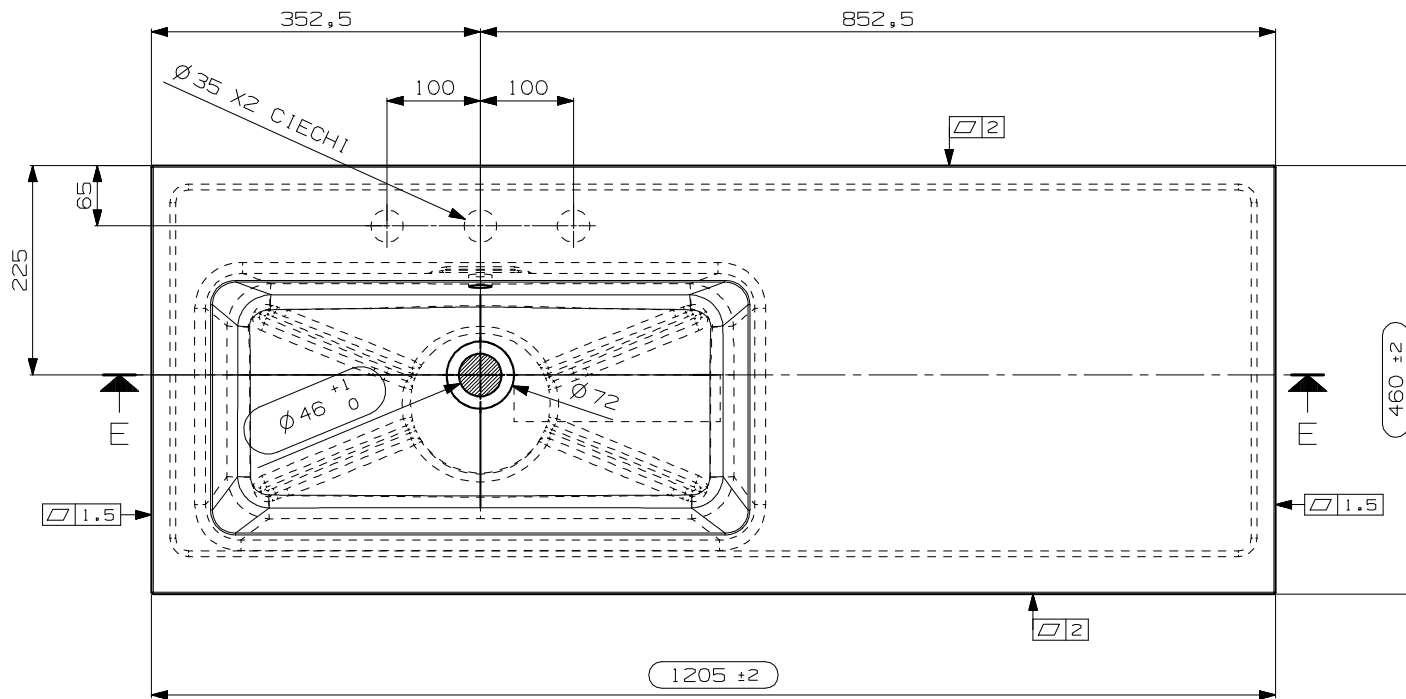


SECTION E-E
SCALE 35:200



SECTION F-F
SCALE 35:200



N° DATA/Date	FIRMA/drawn by	DESCRIZIONE REVISIONE/Revision description
1		

NOTE/Notes		N° STAMPO/Mould Number
.....		MOB133A
VEDI SCHEDE ALLEGATE		Prog. 18-146
.....		PESO NETTO/Weight
.....		Kg. 18
.....		DATA REV.0/Date Rev.0
.....		18/06/2020
CLIENTE/Client	MODELLO/Model	EMESSO/Drawn by
NICOS INT.	MAX	S.SANTAROSSA
DENOMINAZIONE/Product Name		VERIFICATO/Checked by
LAVABO SX 120x46 S/F - C/TP		A.MANIAGO