

WELLNESS BOOK

PRICE LIST



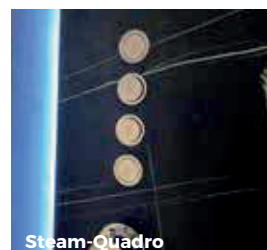
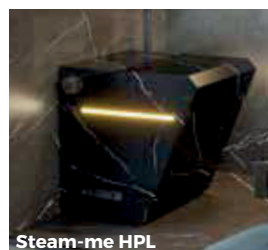
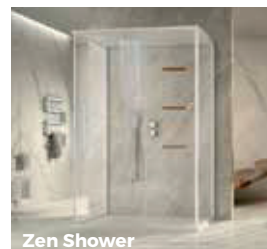
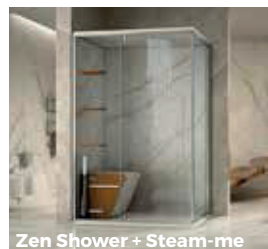
ENG

WELLNESS BOOK

PRICE LIST

Welcome to the new Megius Wellness Price List

Discover the exciting innovations in the wellness world by Megius. Saunas, hammams, and Turkish baths are enriched with new features, refined finishes, and captivating collections, perfect for both indoor and outdoor spaces. Exceptional products that combine quality, design, and innovation, a true expression of Made in Italy. Let yourself be inspired by unique solutions designed for your well-being.



Megius S.p.A.

Via Torino 18, 35035 Mestrino (PD)
megius@megius.com

SHOWROOM:

Padova: Via Torino 18, Mestrino
Milano: Via Solferino 36

Megius France sarl

Immeuble Panama, 45 rue de Villeneuve
94150 Rungis - megiusfrance@megius.com

Megius España SL

Diputació, 301 Principal 1ª Barcelona
megiusespana@megius.com

Megius Portugal

AP 110, 4745-312
Muro – Trofa – Portugal



www.facebook.com/megius



www.youtube.com/megius



www.linkedin.com/megius



www.instagram.com/megius



www.issuu.com/megius



INDEX

01 SAUNA OUTDOOR:

NEW Oasi Sauna Outdoor	8
-------------------------------	---

02 SAUNE:

NEW Karma Sauna	14
Tao Sauna/infrarossi	20
Exen Sauna sliding	26
Exen Sauna pivot	36
Nirvana Sauna/biosauna/infrarossi	46

03 SAUNE & HAMMAM:

Nirvana Combi 1 Young	58
Nirvana Combi 1	68
Zen Combi Duo Corner	78
NEW Zen Combi Duo Linear	84

04.1 HAMMAM:

Complete Products:

Wellbox	84
NEW Zen Nude / Shower	124
Zen Idro / Hammam	128

Steam Generators:

Steam Mistery	170
NEW Steam Mistery Comfort	171
NEW Steam Mistery Pro	172
NEW Steam Quadro	173
Steam Me Wood	174
NEW Steam Me Soft-Touch	175
NEW Steam Me HPL	176

04.2 TAILOR-MADE HAMMAM:

NEW Wellzone	184
---------------------	-----

05 SHOWER ENCLOSURE

Complete Products:

Rasodoccia	196
Filodoccia	196

06 ACCESSORIES

Staves	216
Stool	218
Zen Layer	215
Shower trays	214
Aqua Genesi	194
Bucket Shower	195

Megius worldwide



Megius, in addition to being present in Italy, has proprietary commercial branches in Portugal, France, and Spain.

With a network of agencies and distributors worldwide, it ensures comprehensive market coverage to meet the needs of various countries. Furthermore, Megius boasts two showrooms dedicated to shower and wellness products: one in Via Solferino in Milan and the other at its headquarters in Padua. Here, customers can explore the full range of products, compare finishes, and enjoy an immersive experience.



Certified Company



Our commitment to well-being goes beyond comfort and design: every material we use is carefully selected to respect the environment and ensure the highest quality. We use only certified woods and materials from guaranteed and sustainable sources, fully respecting natural ecosystems. Every choice is guided by environmental responsibility, offering you products that combine harmony, durability, and authenticity, in the name of a more sustainable future.



All Megius shower screen have the CE brand accordingly to the community rules n° 305/2011CPR related to the safety and quality of the construction products. Particularly severe test of laboratory guarantee the conformity to the norm UNI EN 14428 : 2018.

Here are some tests to which the shower screen are submitted:

- cleaning
- resistance to the bumps / fragmentation properties
- durability

The evaluation to the resistance to the bump is different according to the materials: glass or plastic. A fundamental safety issue because this treatment ensures that in the event of breakage, the glass crumbles in such a way that it does not pose a danger to the person. The evaluation of the durability foresees tests of resistance against corrosion, chemical and stain agents, to cycles dry / wet, opening / closing, stability and waterproof.



 305/2011CPR	
11 UNI EN 14428:2018 Pareti Doccia per uso domestico realizzate con profili in alluminio verniciato/anodizzato, lastre in vetro temperato e lastre in PS.	
Pulibilità	Passa
Resistenza all'urto/caratteristiche di frantumazione	Passa
Durabilità	Passa
 Via Torino, 18 Mestrino (PD) - ITALY	

The CE label and the Megius mark guarantee the quality, the safety and the reliability of our shower enclosures.

EPD[®]

S-P-00123 EPD[®]
environdec.com



The EPD Environmental Product Declaration - is a voluntary certified declaration, which provides specific data on the environmental impact of the product, in accordance with the international standard ISO 14025 and EN 15804.

The EPD is prepared by referring to the analysis of the product life cycle, based on an LCA (Life Cycle Assessment) study, which defines the consumption of resources (materials, water, energy) and the impacts on the surrounding environment in the various stages of the product life cycle. The minimum stages considered range from the extraction of raw materials, their transport to the production site and the production itself, or up to the disposal of the product itself. The results are presented in summary form through the use of a series of environmental indicators, such as the amount of carbon dioxide emitted or GWP (Global Warming Potential) per declared unit of product (eg. Per ton). Obtaining the EPD is the final result of a process that has seen the group engaged for several months. In fact, since the shower enclosures did not yet have specific rules recognized for the product category in question (PCR, Product Category Rules), it was necessary to develop and approve specific PCRs, on the basis of which the evaluations that led to obtaining the EPD

Possession of an EPD constitutes an undoubted competitive advantage for companies, considering its international diffusion and its general recognition as a primary instrument for certifying the environmental performance of a product. In various fields, and especially in the world of construction products, products with EPD are preferred. The environmental rating schemes for buildings (LEED and similar), for example, reward the use of products that have obtained the environmental product declaration with an additional score.

EU-KONFORMITÄTSERKLÄRUNG

L'oggetto della dichiarazione sopra descritto è conforme ai requisiti delle seguenti norme armonizzate			
4	Documento n°	Titolo	Data di emissione
1	N° di identificazione	:	01
2	Nome del fabbricante	:	MEGIUS
	Indirizzo del fabbricante	:	Via Torino 18 35035 Mestrino (PD)
	Oggetto della dichiarazione	:	Generatore Hammam
3	Marchio commerciale	:	MEGIUS
	Modello	:	Steam me
5	Si dichiara sotto la propria responsabilità che gli apparecchi oggetto della presente dichiarazione sono conformi ai requisiti essenziali indicati dalle seguenti Direttive Comunitarie: - Direttiva Bassa Tensione (LVD) 2014/35/UE - Direttiva Compatibilità Elettromagnetica (EMC) 2014/53/UE - Direttiva RoHS 2011/65/UE		
IL PRESIDENTE		L'AMMINISTRATORE DELEGATO	
Megius S.p.A. Via Torino 18, Mestrino - Padova - ITALY			

Megius ensures that all its products meet the highest quality and safety standards, fully complying with current European regulations. Each item is manufactured according to the requirements established by EU directives and regulations and is accompanied by the Declaration of Conformity, certifying that it meets all applicable provisions.

This certification allows Megius to market its products throughout Europe and beyond, offering reliable, safe solutions in line with international standards. Choosing a Megius product means opting for certified innovation, quality, and safety.



OASI SAUNA OUTDOOR

To create a wellness oasis at home, choosing **Oasi**, an outdoor sauna, is the ideal choice.

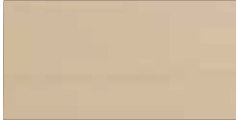
Crafted with quality materials and designed to perfectly fit the outdoor environment, it offers an unparalleled experience of relaxation and Comfort, whether in the garden or on the terrace.

STYLE DETAILS



FINNISH OUTDOOR SAUNA

WOOD FINISHES



Linden Wood "G"

SITTING SAUNA



Ayouis wood

PROFILE FINISHES



Matt Black Aluminum "Z"



Brilliant Chrome Aluminium "Q"

EXTERNAL WOOD CLADDING (ideal for covered or sheltered outdoor spaces)



Painted wood White "Y"



Painted wood Black "W"

EXTERNAL SHEET METAL CLADDING (ideal for total exposure to weather conditions)



White painted sheet metal "E"



Anthracite gray painted sheet metal "J"



Painted sheet metal in dark brown "D"



Grey Stone finish "P"

GLASS CLOSING FINISHES



Transparent Glass "P"



Bronze Glass "1Z"



Satin Bronze Glass "1J"



Fumè glass

STANDARD DIMENSIONS	2300x2550 mm
STANDARD HEIGHT	h. 2200/2290 mm
GLASS THICKNESS	6/8 mm
HANDLE	aluminum/wood
HANDLE HEIGHT	58 cm
POWER SUPPLY	400V - Specify before the order
NUMBER OF PEOPLE MAX.	4 (2300x2550 mm)
DOOR FINISH	transparent tempered glass
BENCH FINISH	Ayouis wood
LIGHTING	LED
EXTERNAL PROTECTION	Waterproof paint (wood version)
ROOF	Optional

FEATURES/COMPONENTS

Electric stove with lava stones
 Integrated controls on the stove
 LED under-bench light
 Hourglass with sand for 15 minutes time duration.
 Thermo-hygrometer for monitoring temperature and humidity inside the sauna.
 Wooden tub and ladle.
 Handle drilled directly into the glass
 Walls are made of 32 mm thick fir wood.
 6 mm thick transparent tempered glass door
 Solid fir wood benches
 Removable wooden floor

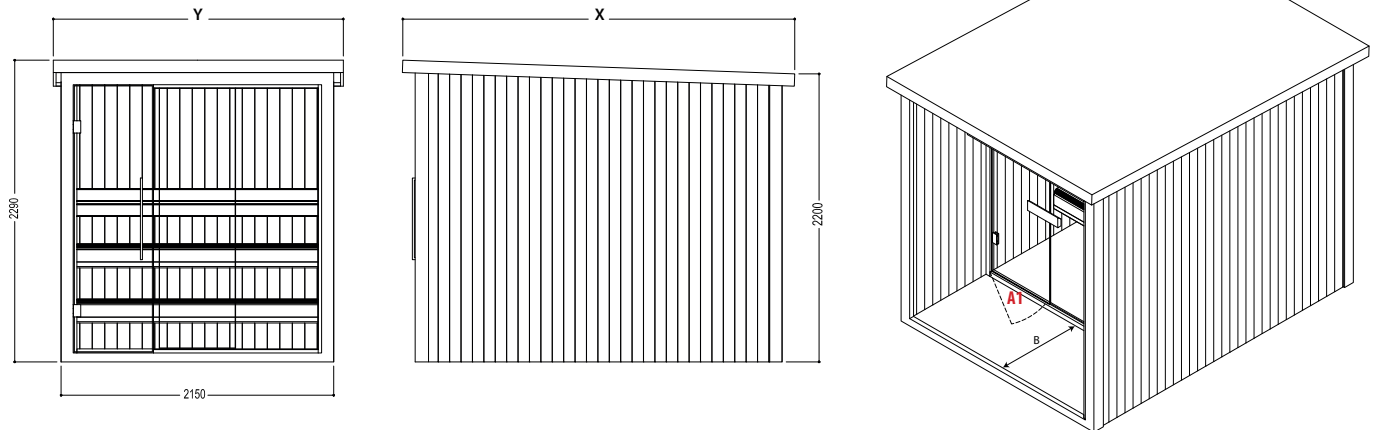


HOME AUTOMATION CONNECTION PRE-SETUP:

The sauna can be integrated with compatible home automation systems thanks to the preconfigured electrical board. This allows the heater to be turned on and off directly through the system, providing advanced Comfort and convenience.

OASI SAUNA OUTDOOR

TECHNICAL DRAWINGS



(X x Y) mm	(A1) mm	B mm	(H1) mm	(H2) mm	kW
2550x2300	520	800	2200	2290	9 Kw

WOOD FINISHES



Linden Wood "G"

SITTING SAUNA



Ayous wood

EXTERNAL WOOD CLADDING (ideal for covered or sheltered outdoor spaces)



Painted wood White "Y"



Painted wood Black "W"

EXTERNAL SHEET METAL CLADDING (ideal for total exposure to weather conditions)



White painted sheet metal "S"



Anthracite gray painted sheet metal "U" Painted sheet metal in dark brown "D"



Grey Stone finish "P"

SAUNA OUTDOOR

MEASURE	CODE	kW.	EXTERNAL WOOD CLADDING Y - W	EXTERNAL SHEET METAL CLADDING S - U - D	EXTERNAL SHEET GREY STONE P	DELIVERY
2550x2300	OAP09252/G_AP	9 Kw	24.500	26.500	26.500	5-6 week

Outdoor sauna to be placed in a covered space; for open spaces, include the roof covering in all finishes.

PRICE LIST WITH POINTS

FEATURES/COMPONENTS

LED under-bench light
Hourglass with sand for 15 minutes time duration.
Coat hook included
Thermo-hygrometer for monitoring temperature and humidity inside the sauna.
Wooden tub and ladle.
Ayous wood seating benches
Removable wooden floor
Wooden headrest included
Three-phase stove - 400V

EQUIPMENTS

code

Locker room construction

"g"

+ 200

Replace "A" with the corresponding code for the chosen equipments.

ROOF COVERING

To complete the outdoor version of the sauna, a sheet metal roof is available in three finishes: white, black, and Testa di Moro. With the addition of side walls in the same finish, the structure is fully protected from weather conditions and seamlessly integrated into any outdoor environment.



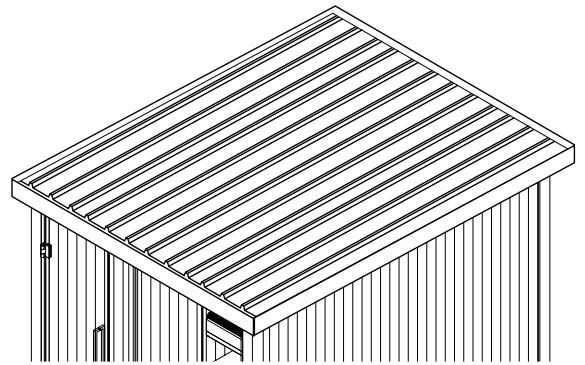
White painted sheet metal "S"



Anthracite gray painted sheet metal "U"

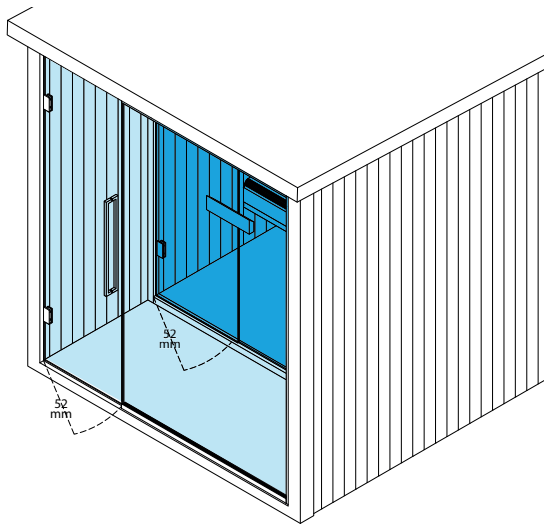


Painted sheet metal in dark brown "D"



MEASURE	CODE	EXTERNAL SHEET METAL CLADDING S - U - D	DELIVERY
2550x2300	OATET9252/_	2.190	5-6 week

SAUNA WITH DRESSING ROOM



PROFILE FINISHES



Brilliant Chrome Aluminium "Q"



Matt Black Aluminium "Z"

GLASS CLOSING FINISHES



Transparent Glass "P"



Bronze Glass "1Z"



Satin Bronze Glass "1J"



Fumè glass

GLASS CLOSING

COD.	PROFILE FINISH	GLASS FINISH	DELIVERY
OAB1F252/QP	BRILLIANT CHROME ALUMINIUM	TRANSPARENT GLASS	1.960
OAB1F252/ZP	MATT BLACK ALUMINIUM		1.960
OAB1F252/Q1Z	BRILLIANT CHROME ALUMINIUM	BRONZE GLASS	1.960
OAB1F252/Z1Z	MATT BLACK ALUMINIUM		1.960
OAB1F252/Q1J	BRILLIANT CHROME ALUMINIUM	SATIN BRONZE GLASS	1.960
OAB1F252/Z1J	MATT BLACK ALUMINIUM		1.960
OAB1F252/QK	BRILLIANT CHROME ALUMINIUM	FUMÈ GLASS	1.960
OAB1F252/ZK	MATT BLACK ALUMINIUM		1.960

For special solutions and assembling ask for feasibility

OASI SAUNA OUTDOOR

ADDITIONAL SHEET METAL WALLS

For existing saunas with a wooden finish, an optional upgrade of sheet metal walls is available for all three sides. This solution is designed to complement the original wooden cladding, providing additional protection against weather conditions without compromising the wood's aesthetics. It's ideal for those looking to enhance the sauna's durability in outdoor environments while maintaining its elegant and functional design.



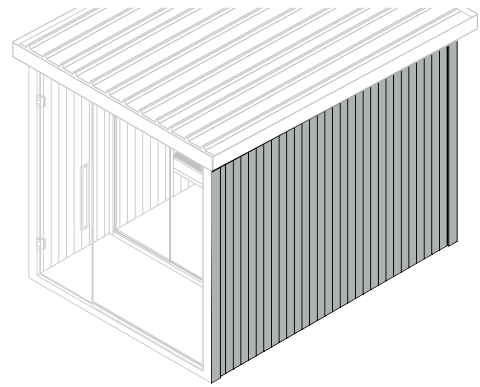
White painted sheet metal "S"



Anthracite gray painted sheet metal "U"

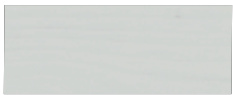


Painted sheet metal in dark brown "D"



MEASURE	CODE	EXTERNAL SHEET METAL CLADDING S - U - D	DELIVERY
2550x2200 (on three sides)	OAPAR252/_	4.400	5-6 week

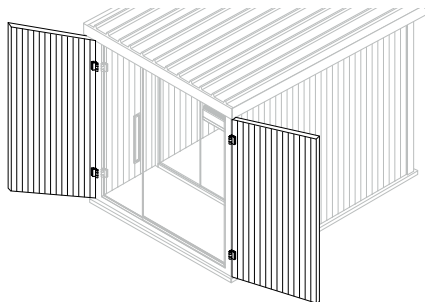
SAUNA CLOSURE KIT



Painted wood White "Y"

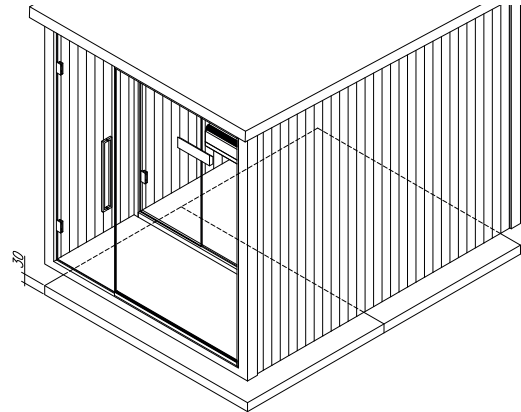


Painted wood Black "W"



CODE	FINISH		DELIVERY
OASCU252/W	BLACK PAINTED WOOD	5.550	5-6 weeks
OASCU252/Y	WHITE PAINTED WOOD	5.550	5-6 weeks

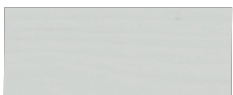
PROTECTIVE INSULATING PLATFORM



*To be placed between the sauna and the concrete base.

CODE	FINISH		DELIVERY
OAPED252/W	BLACK OSB	950	5-6 weeks
OAPED252/Y	WHITE OSB	950	5-6 weeks

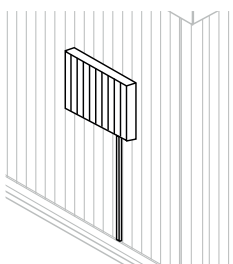
ELECTRICAL PANEL COVER KIT



Painted wood White "Y"



Painted wood Black "W"



The electrical system cover box, made of wood with the same external finish as the sauna, is designed to ensure perfect aesthetic integration. This accessory is essential if no floor electrical system has been pre-installed, providing a functional and visually harmonious solution.

CODE	FINISH		DELIVERY
OAQUE/W	BLACK PAINTED WOOD	540	5-6 weeks
OAQUE/Y	WHITE PAINTED WOOD	540	5-6 weeks

STOOL SAUNA



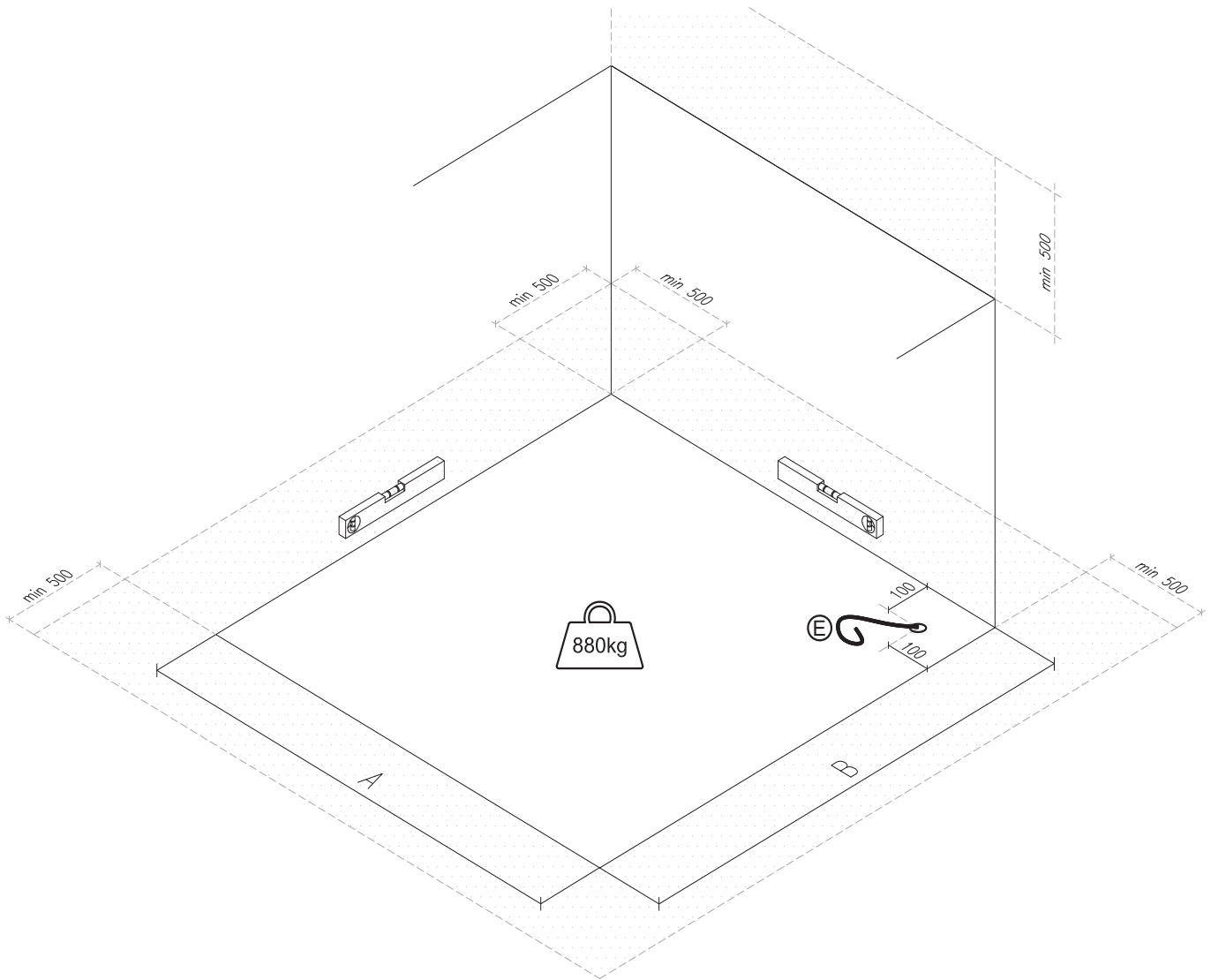
FINISHES	COD.		DELIVERY
Classic Fir	AWTA04/Z	330	4-5 weeks

EMERGENCY BUTTON



COD.	
AWZS05	500

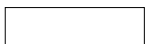
PRE-INSTALLATION SHEET



E Electrical supply 400 Vac 3N 50-60 Hz - Three-phase

Provide a power cable with a 4mm² section (400 Vac 3N 50-60Hz).

Measures (A x B)	Ground dimensions (A x B) External cladding: WOOD	Ground dimensions (A x B) External cladding: SHEET METAL	Ground dimensions (A x B) External cladding: STONE	kW
2300X2550	2150X2430	2170X2450	2150X2430	9.0 KW



Create a reinforced concrete slab with top/bottom mesh made of 10mm thick wires and 20x20cm grids.

WARNING: In the case of an existing slab, the assigned technician must verify the load-bearing capacity.



Minimum space required for sauna installation

ELECTRICAL SAFETY

The product assumes that the system to which the sauna is connected, and the room in which the product is installed, meet the safety requirements laid down by standards and laws, among which the following are particularly important:

- Have an efficient protection circuit (earthing);
- Have a highly sensitive differential protection device according to the output of the heat generator;
- Limitation of electrical devices in the zones (zones 0, 1, 2, 3) of the bathroom and equal potential of the same
- Provide a mains disconnection switch with contact opening < 3 mm and characteristics suitable for the sauna's rated data
- Provision of a suitable cable connection system in accordance with the installed power rating.
- Use of certified electrical material according to standard

Power supply 380V

N.B: please specify before ordering



KARMA SAUNA

Featuring a compact and practical design, this sauna includes two benches arranged in a corner layout, designed to fit even in small spaces such as rooms or mini spa.

The hinged door, located at the center of the entrance, has a customized wooden handle engraved with the Megius logo, adding a touch of distinction compared to other saunas. The platform positioned at the entrance facilitates access to the sauna, ensuring comfortable and safe entry.

As for the construction material, it is made of high-quality fir wood, creating an authentic environment with its natural fragrance, enhancing relaxation.

STYLE DETAILS



FINNISH SAUNA

WOOD FINISHES



Classic Fir "Z"

GLASS FINISHES



Transparent Glass "P"

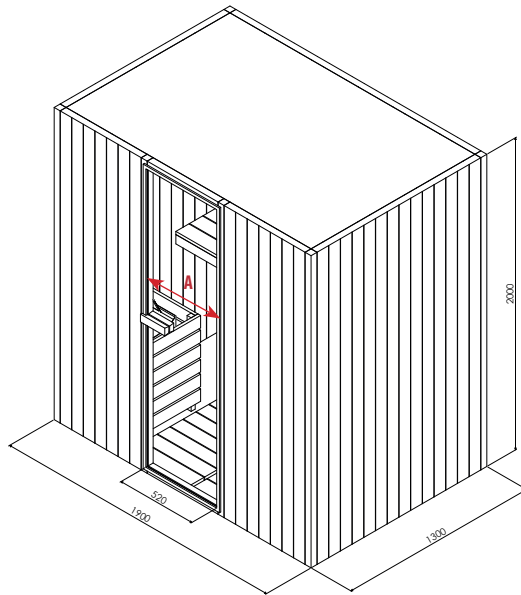
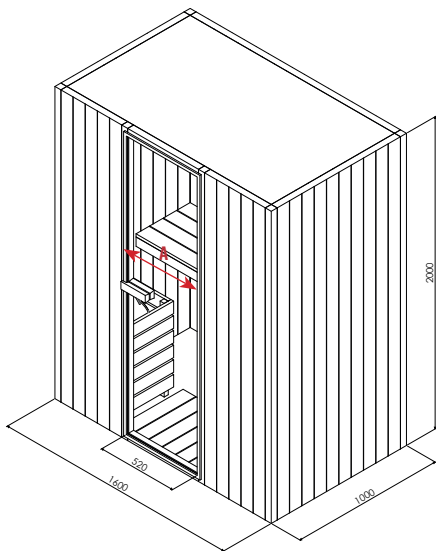
STANDARD DIMENSIONS	1600x1000 mm
	1900x1300 mm
STANDARD HEIGHT	h. 2000 mm
GLASS THICKNESS	8 mm
HANDLE	Classic Fir wood
POWER SUPPLY	220V - Specify before the order
NUMBER OF PEOPLE MAX.	2/4 (art. 1900x1300)
DOOR FINISH	transparent tempered glass
BENCH FINISH	Classic Fir wood
LIGHTING	led inserted in the bench
DELIVERY TIME	2-3 weeks

FEATURES/COMPONENTS

Electric stove with lava stones
Integrated controls on the stove
LED under-bench light
Hourglass with sand for 15 minutes time duration.
Thermo-hygrometer for monitoring temperature and humidity inside the sauna.
Wooden tub and ladle.
Wooden handle.
Walls are made of 44 mm thick fir wood.
8 mm thick transparent tempered glass door
Solid fir wood benches
Removable wooden floor

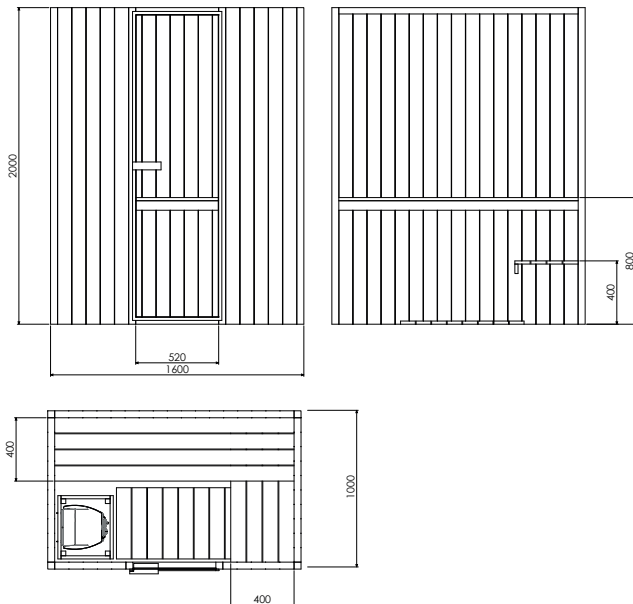
KARMA SAUNA

TECHNICAL DRAWINGS

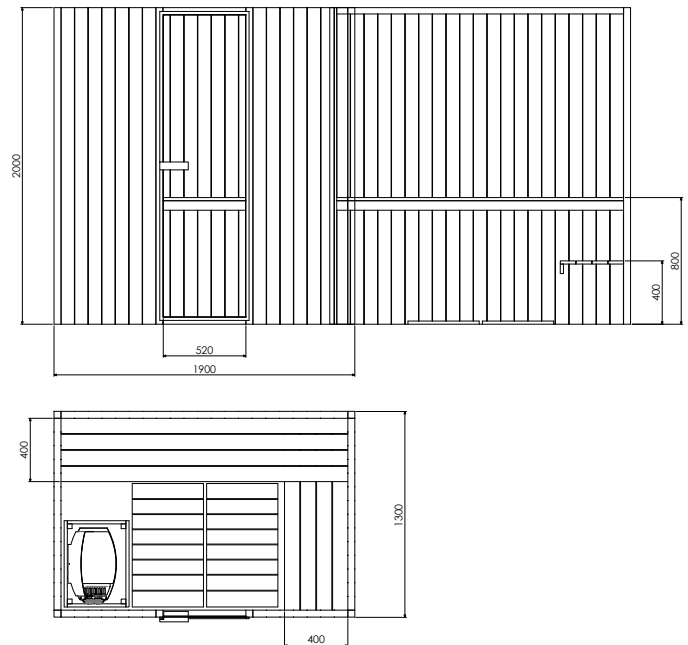


(XxY) mm	(A) mm	(H) mm	kW
1600x1000	520	2000	3,5 kW
1900x1300	520	2000	4,5 kW

1600x1000



1900x1300



WOOD FINISHES

Classic Fir "Z"

GLASS FINISHES

Transparent glass "P"

REVERSIBLE PRODUCT

MEASURE	kw.	CODE	NO. BANCOS	WOOD FINISH	GLASS FINISH		DELIVERY
1600x1000	3,5 kW	TAPM1410/ZP	2	FIR CLASSIC	TRANSPARENT GLASS	5.200	2-3 weeks
1900x1300	4,5 kW	TAPM1714/ZP	2	FIR CLASSIC	TRANSPARENT GLASS	5.600	2-3 weeks

FEATURES/COMPONENTS

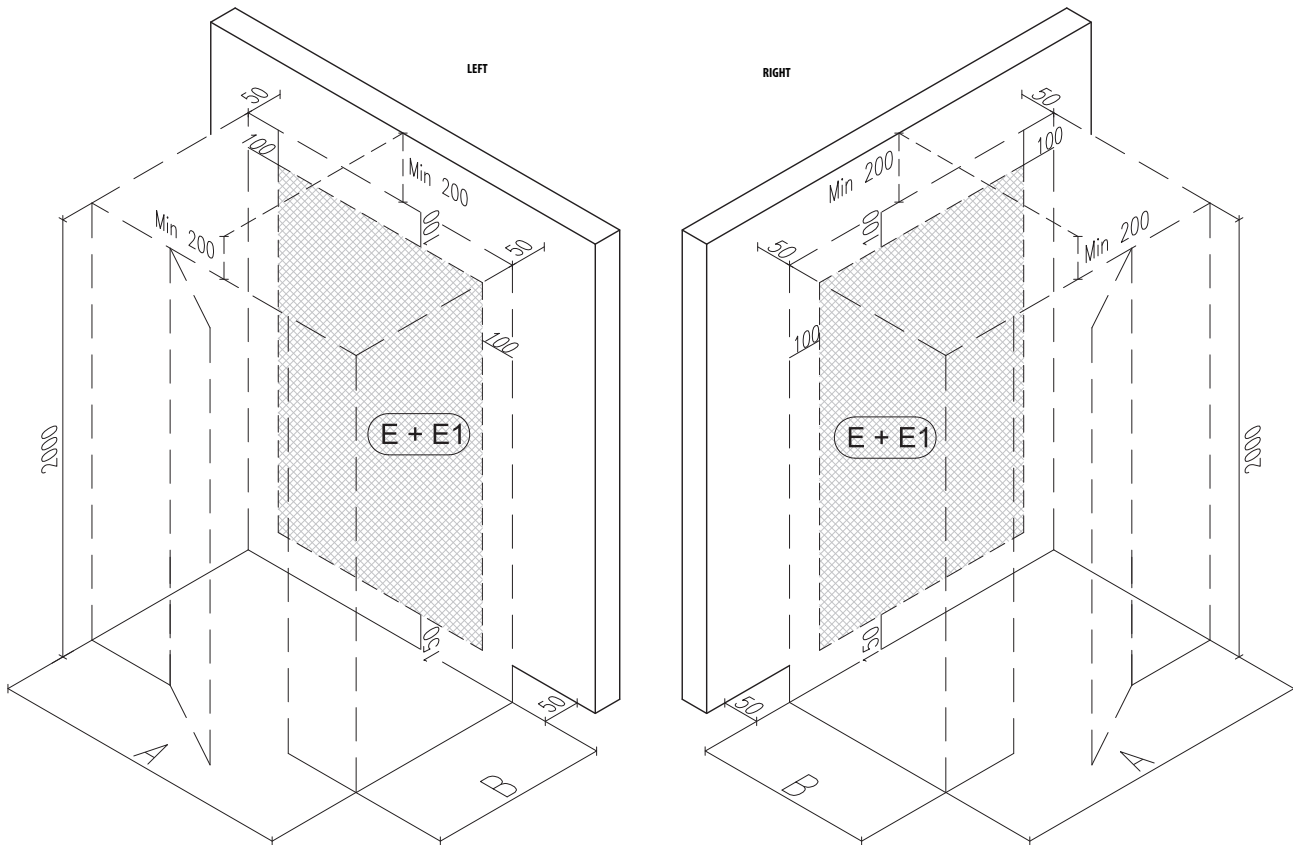
LED under-bench light
 Hourglass with sand for 15 minutes time duration.
 Thermo-hygrometer for monitoring temperature and humidity inside the sauna.
 Wooden tub and ladle.
 Solid fir wood benches
 Removable wooden floor
 Wooden headrest included
 Reversible door

STANDARD HEIGHT	h. 2000 mm
GLASS THICKNESS	8 mm
HANDLE	Classic Fir wood
POWER SUPPLY	220V - Specify before the order
NUMBER OF PEOPLE MAX.	2/4 (art. 1900x1300)
DOOR FINISH	transparent tempered glass
BENCH FINISH	Classic Fir wood
LIGHTING	led inserted in the bench
DELIVERY TIME	2-3 weeks

For special solutions and assembling ask for feasibility

PRE-INSTALLATION SHEET

3 SIDE

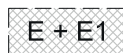


Measures (A x B)	kW	single-phase power supply	three-phase supply
1600X1000	3,5 KW	H07RN-F 3x2.5 mm ²	H07RN-F 5x1.5 mm ²
1900X1300	4,5 KW	H07RN-F 3x2.5 mm ²	H07RN-F 5x1.5 mm ²

E Power supply 220V (sauna stove)

E1 Power supply 220V - 50Hz (LED)

Attention: The power cable is not supplied.



Fully inspectable area for hydraulic and electrical connections

ELECTRICAL SAFETY

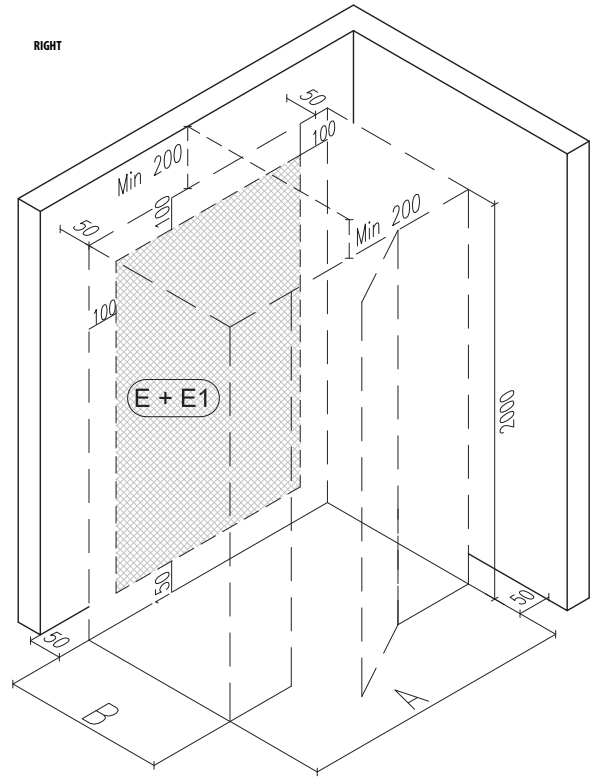
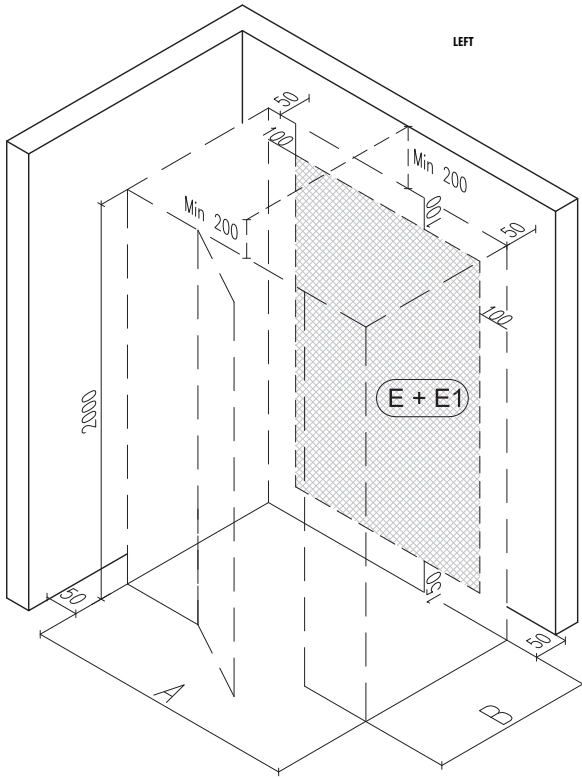
The product assumes that the system to which the sauna is connected, and the room in which the product is installed, meet the safety requirements laid down by standards and laws, among which the following are particularly important:

- Have an efficient protection circuit (earthing);
- Have a highly sensitive differential protection device according to the output of the heat generator;
- Limitation of electrical devices in the zones (zones 0, 1, 2, 3) of the bathroom and equal potential of the same
- Provide a mains disconnection switch with contact opening < 3 mm and characteristics suitable for the sauna's rated data
- Provision of a suitable cable connection system in accordance with the installed power rating.
- Use of certified electrical material according to standard

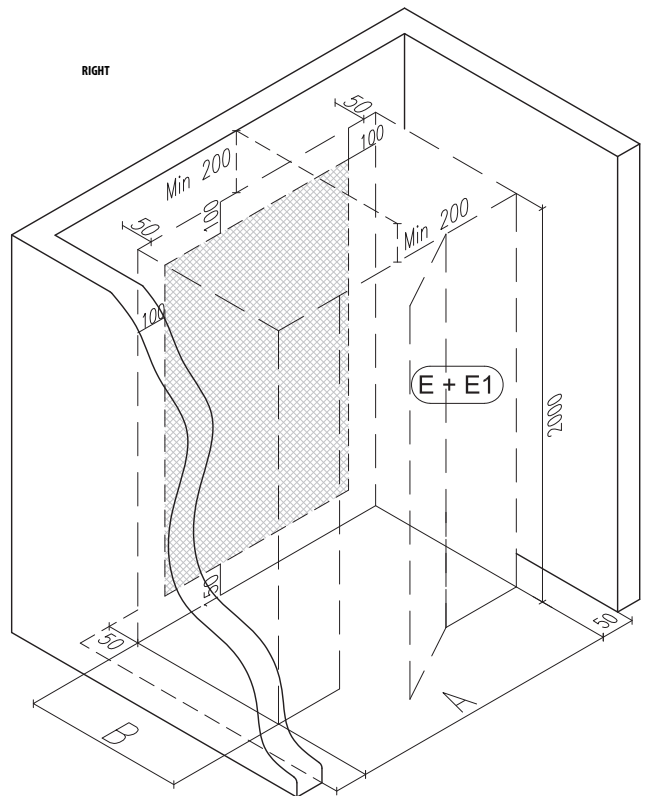
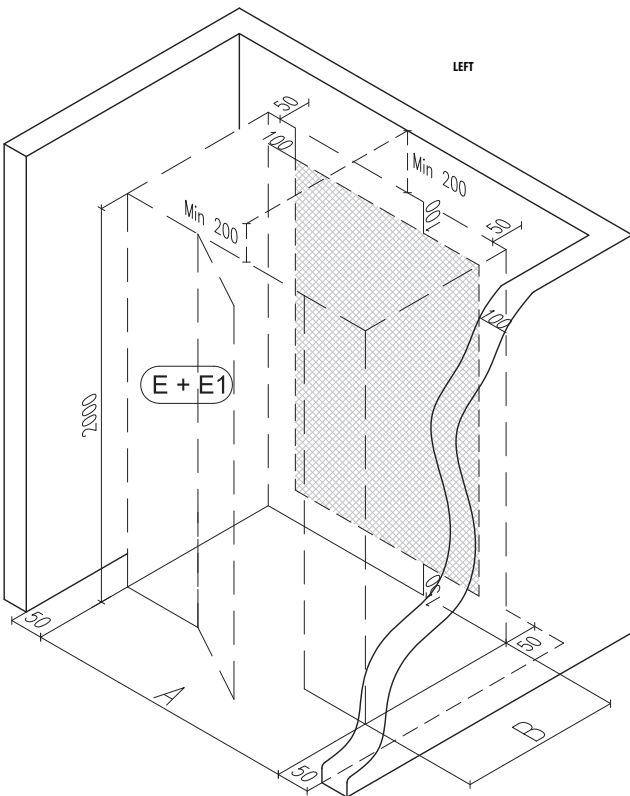
Power supply 220V

PRE-INSTALLATION SHEET

CORNER



NICHE





TAO

FINNISH SAUNA INFRARED SAUNA

Among the best ways to cleanse the body and relax the mind, the Finnish sauna is certainly one of the most popular.

With **Tao Sauna** by Megius, you can rediscover the true essence and warmth of the Finnish sauna, made entirely of natural fir wood, which is found not only in the structure but also on the bench and removable platforms.

STYLE DETAILS



FINNISH SAUNA

WOOD FINISHES



Classic Fir wood "Z"

GLASS FINISHES



Transparent Glass "P"

STANDARD DIMENSIONS	1400x1000 mm
	1700x1000 mm
	2000x1000 mm
	1700x1400 mm
	2000x2000 mm
STANDARD HEIGHT	h. 2055 mm
GLASS THICKNESS	6 mm
HANDLE	perforated glass
HANDLE HEIGHT	100 mm
POWER SUPPLY	220-380V - Specify before the order
NUMBER OF PEOPLE MAX.	4 (art. 2000x2000)
DOOR FINISH	transparent tempered glass
BENCH FINISH	Classic Fir wood
LIGHTING	led inserted in the bench
DELIVERY TIME	5-6 weeks - * 2-3 weeks

FEATURES/COMPONENTS

Electric stove with lava stones
Integrated controls on the stove
LED under-bench light
Hourglass with sand for 15 minutes time duration.
Thermo-hygrometer for monitoring temperature and humidity inside the sauna.
Wooden tub and ladle.
Handle drilled directly into the glass
Walls are made of 32 mm thick fir wood.
6 mm thick transparent tempered glass door
Solid fir wood benches
Removable wooden floor



HOME AUTOMATION CONNECTION PRE-SETUP (ONLY WITH TOUCH DISPLAY SETUP):

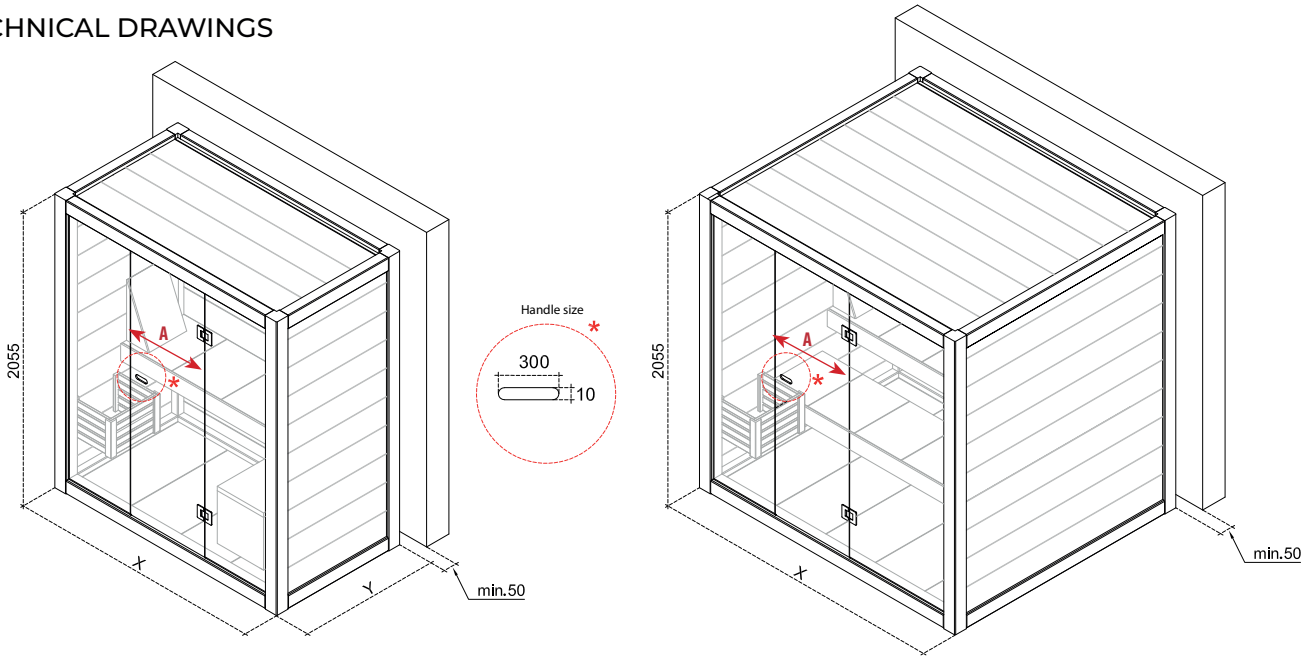
The sauna can be integrated with compatible home automation systems thanks to the preconfigured electrical board. This allows the heater to be turned on and off directly through the system, providing advanced Comfort and convenience.

INFRARED SAUNA

The infrared sauna uses infrared rays to directly heat the body without significantly increasing the ambient temperature (30-60°C). It is perfect for those seeking a gentler effect, benefiting from deep and targeted warmth, ideal even for those who tolerate intense heat less.

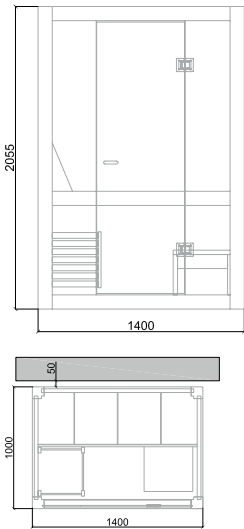
TAO SAUNA PIVOT

TECHNICAL DRAWINGS

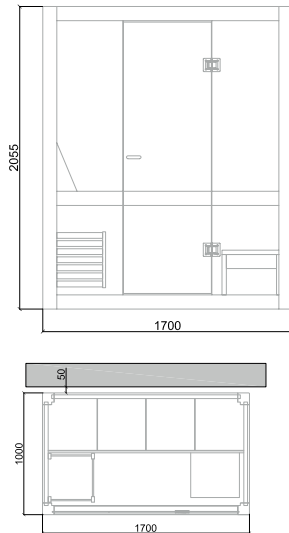


(XxY) mm	(A) mm	(H) mm	kW
1400x1000	580	2055	3.5 kW
1700x1000	580	2055	3.5 kW
1700x1400	580	2055	4.5 kW
2000x1400	580	2055	4.5 kW
2000x2000	580	2055	6 kW

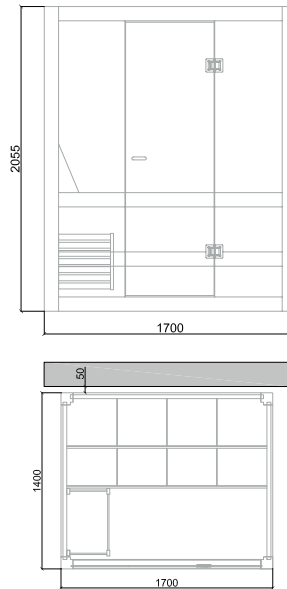
1400x1000



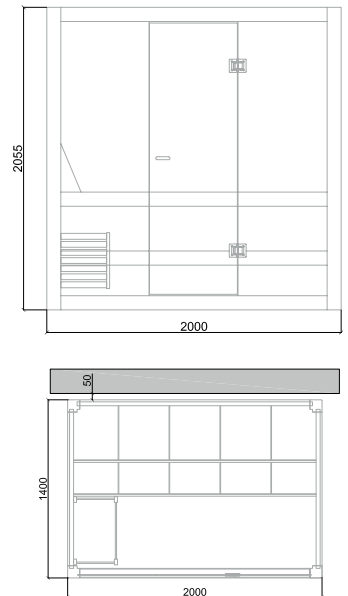
1700x1000



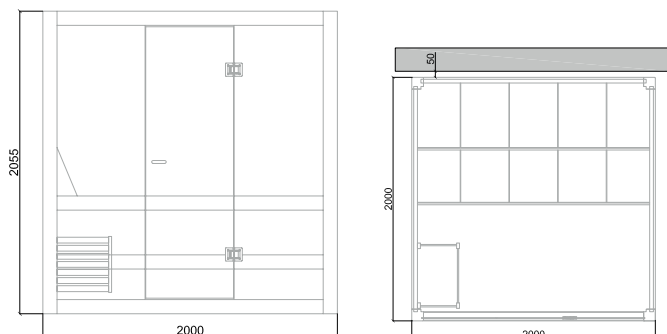
1700x1400



2000x1400



2000x2000



STANDARD HEIGHT	h. 2055 mm
GLASS THICKNESS	6 mm
HANDLE	perforated glass
HANDLE HEIGHT	10 cm
POWER SUPPLY	220-380V - Specify before the order
NUMBER OF PEOPLE MAX.	4 (art. 2000x2000)
DOOR FINISH	transparent tempered glass
BENCH FINISH	Classic Fir wood
LIGHTING	led inserted in the bench

WOOD FINISHES



Classic Fir "Z"

GLASS FINISHES



Transparent glass "P"

REVERSIBLE PRODUCT

PRICE LIST WITH POINTS

MEASURE	kW.	CODE	NO. BANCOS	WOOD FINISH	GLASS FINISH	TRANSPARENT	DELIVERY
1400x1000	3,5 kW	TAPM1410/ZAP	1	FIR CLASSIC	TRANSPARENT GLASS	8.977	2-3 weeks
1700x1000	3,5 kW	TAPM1710/ZAP	1	FIR CLASSIC	TRANSPARENT GLASS	10.295	2-3 weeks
1700x1400	4,5 kW	TAPM1714/ZAP	2	FIR CLASSIC	TRANSPARENT GLASS	11.613	5-6 weeks
2000x1400	4,5 kW	TAPM2014/ZAP	2	FIR CLASSIC	TRANSPARENT GLASS	12.390	5-6 weeks
2000x2000	6 kW	TAPM2020/ZAP	2	FIR CLASSIC	TRANSPARENT GLASS	16.766	5-6 weeks

CUSTOMIZED SIZE:

Width min. 1400 mm - depth min. 1000 mm - height min. 2055 mm

Width max. 2000 mm - depth max. 2000 mm - height max. 2100 mm

- For intermediate special sizes consider the price of the next larger size + 5%
- For special measures higher feasibility and price on request

FEATURES/COMPONENTS

LED under-bench light
Hourglass with sand for 15 minutes time duration.
Thermo-hygrometer for monitoring temperature and humidity inside the sauna.
Wooden tub and ladle.
Solid fir wood benches
Removable wooden floor
Wooden headrest included
Reversible door

OPTIONAL:

BACKREST

A6F372	230
--------	-----

EMERGENCY BUTTON

AWZS05	500
--------	-----

INFRARED SAUNA

The infrared sauna uses infrared rays to directly heat the body without significantly increasing the ambient temperature (30-60°C). It is perfect for those seeking a gentler effect, benefiting from deep and targeted warmth, ideal even for those who tolerate intense heat less.

Replace "TA _ _" with "TI _ _"

TI _ _ / _ On request

EQUIPMENTS	code	buttons in satin silver finish	buttons in matte black finish	white touch keyboard	black touch keyboard	music therapy system	Chromotherapy RGB	
Easy control 2	"B"	■						+ 1.500
Easy control 2 BLACK	"Y"		■					+ 1.500
Full Control	"E"	■		■				+ 2.200
Full Control BLACK	"J"		■		■			+ 2.200
Relax	"F"	■				■	■	+ 2.400
Relax BLACK	"W"		■			■	■	+ 2.400
Total Relax	"G"	■		■		■	■	+ 3.000
Total Relax BLACK	"Z"		■		■	■	■	+ 3.000

Replace "A" with the corresponding code for the chosen equipments.

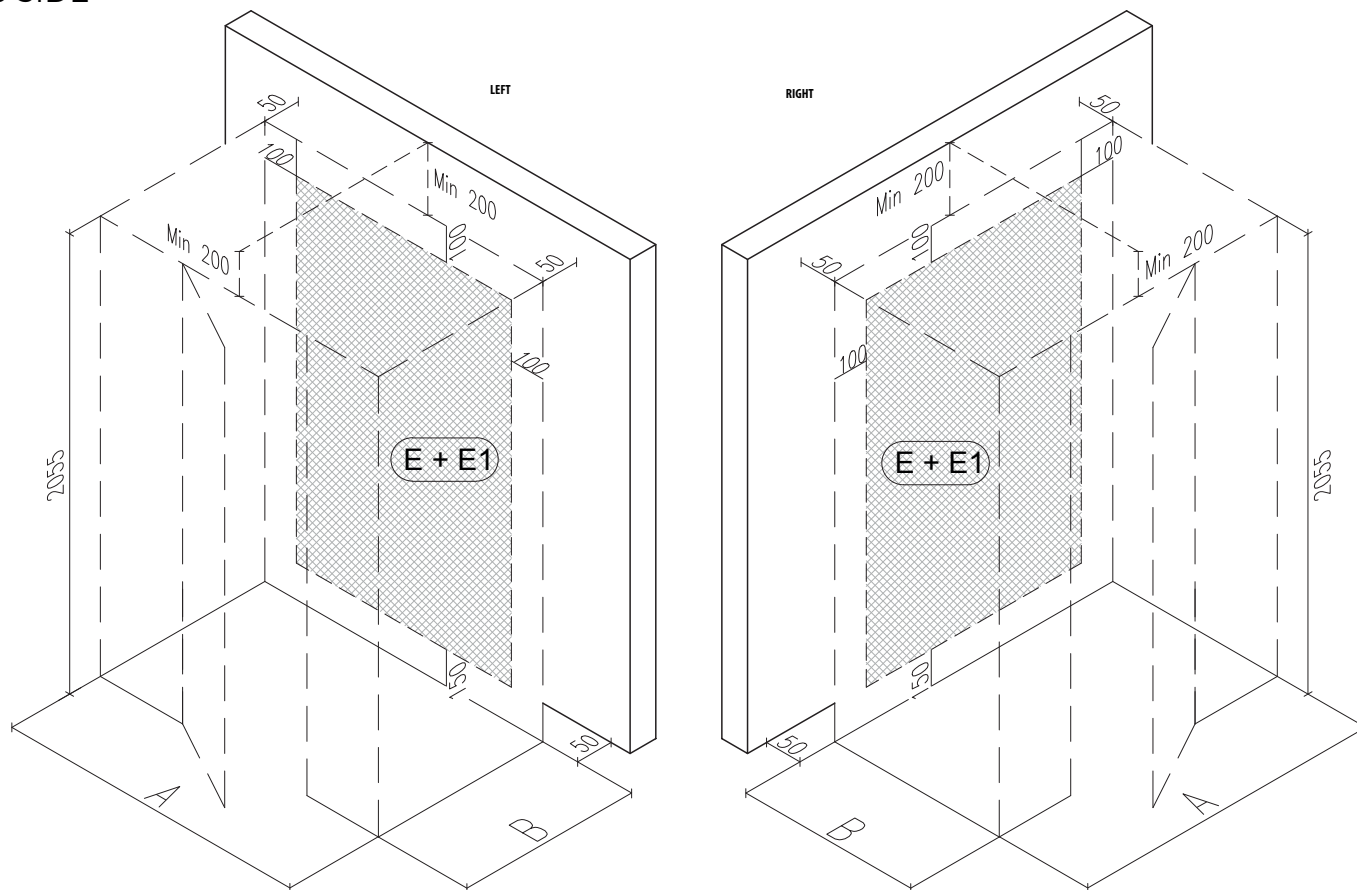
See the pre-installation sheet for the touch display on page 177

OPTIONS	COD.	
Supplementary pre-installation kit for touch display	A6F418	85

For special solutions and assembling ask for feasibility

PRE-INSTALLATION SHEET

3 SIDE



Measures (A x B)	KW	single-phase power supply	three-phase supply
1400X1000	3,5	H07RN-F 3x2.5 mm ²	H07RN-F 5x1.5 mm ²
1700X1000	3,5	H07RN-F 3x2.5 mm ²	H07RN-F 5x1.5 mm ²
2000X1000	4,5	H07RN-F 3x2.5 mm ²	H07RN-F 5x1.5 mm ²
1700X1400	4,5	H07RN-F 3x2.5 mm ²	H07RN-F 5x1.5 mm ²
2000X2000	6	H07RN-F 3x6 mm ²	H07RN-F 5x1.5 mm ²

E Power supply 220-380V (sauna stove)

E1 Power supply 220V - 50Hz (LED)



Fully inspectable area for hydraulic and electrical connections

ELECTRICAL SAFETY

The product assumes that the system to which the sauna is connected, and the room in which the product is installed, meet the safety requirements laid down by standards and laws, among which the following are particularly important:

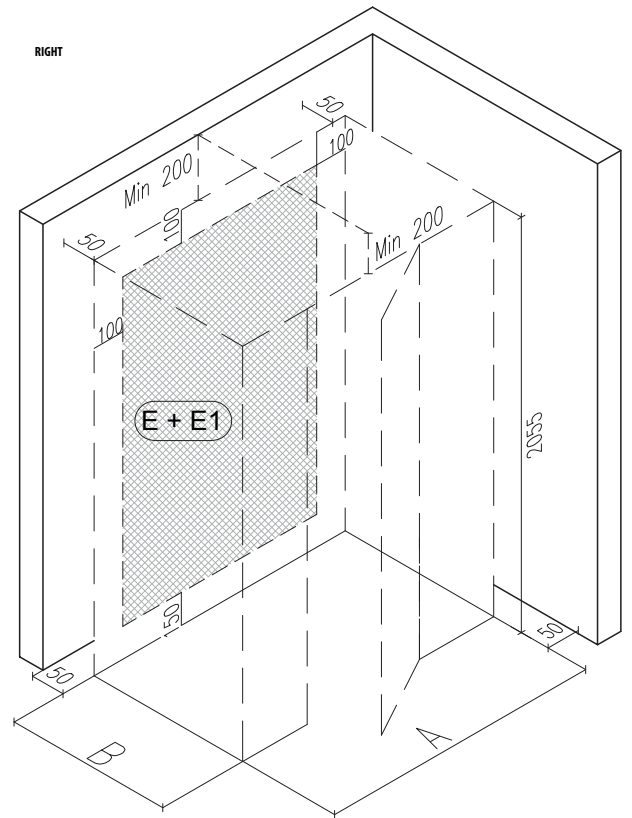
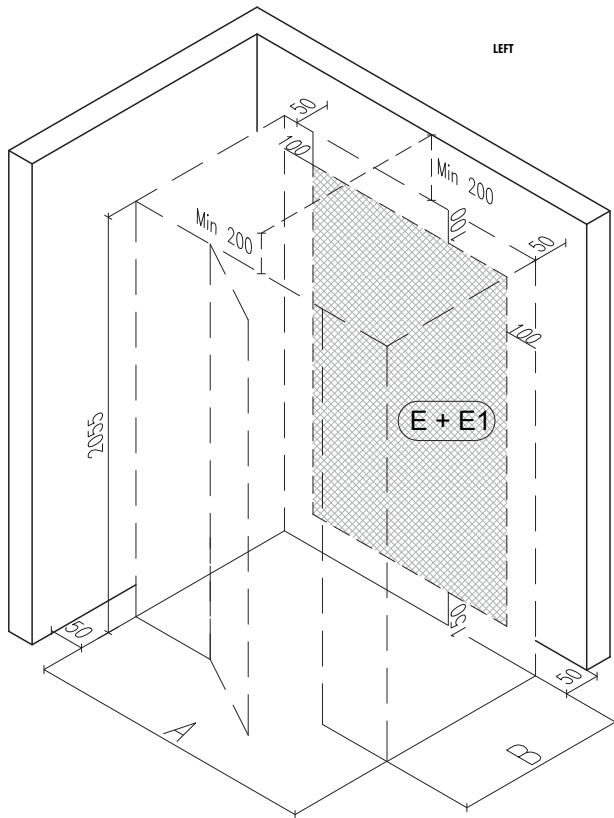
- Have an efficient protection circuit (earthing);
- Have a highly sensitive differential protection device according to the output of the heat generator;
- Limitation of electrical devices in the zones (zones 0, 1, 2, 3) of the bathroom and equal potential of the same
- Provide a mains disconnection switch with contact opening < 3 mm and characteristics suitable for the sauna's rated data
- Provision of a suitable cable connection system in accordance with the installed power rating.
- Use of certified electrical material according to standard

Power supply 220-380V

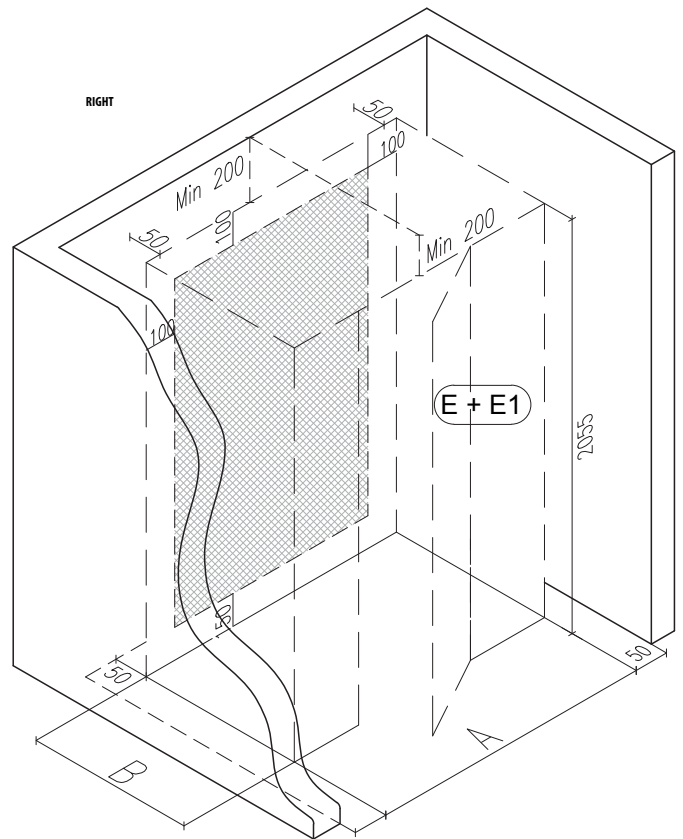
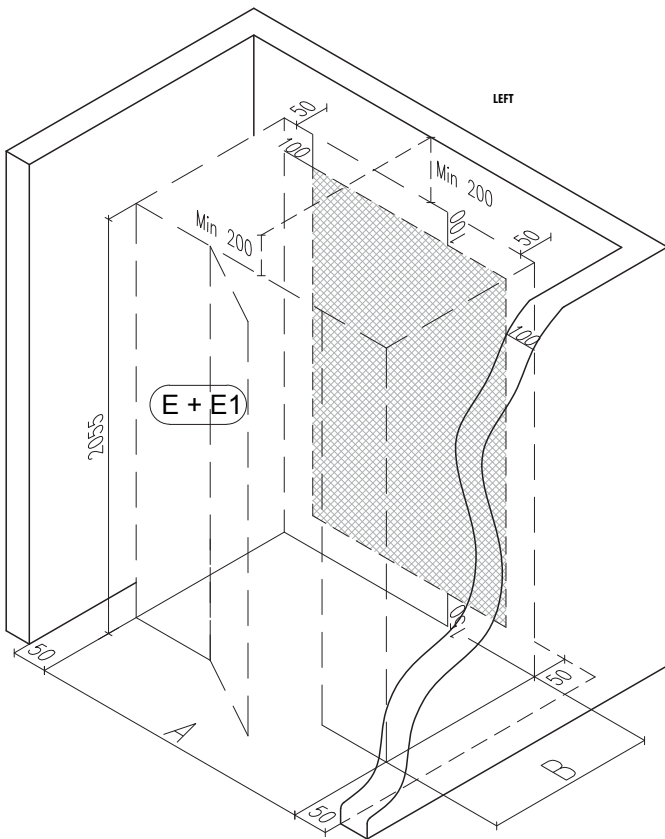
N.B: please specify before ordering

PRE-INSTALLATION SHEET

CORNER



NICHE





EXEN SAUNA SLIDING

In the Finnish Sauna Exen we can see the **exaltation of glass**

The back wall and the various interior components are made of spruce with vertical grain, while the two side walls and the entrance are made of 8 mm clear tempered glass or back painted.

STYLE DETAILS



SLIDING FINNISH SAUNA

WOOD FINISHES



Hemlock "E"



Classic Fir "Z"



Cedar "C"



Canaletto walnut "Q"

PLATFORM AND BENCH



Ayous wood

GLASS FINISHES



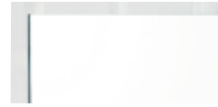
Transparent Glass "P"



Extra-clear glass "X"



Black back-painted glass "Z"



White back-painted glass "1"

CUSTOM SIZE	width max. 2000 mm
	depth max. 2000 mm
	height max. 2110 mm
STANDARD DIMENSIONS	1500x1200 mm
	1700x1300 mm
	2000x1500 mm
STANDARD HEIGHT	h. 2100 mm
GLASS THICKNESS	8 mm
HANDLE	perforated glass
HANDLE HEIGHT	160 mm
POWER SUPPLY	220-380V - Specify before the order
NUMBER OF PEOPLE MAX.	3 (art. 2100x1500)
CONSUMPTION	4.5 kW. min - 6 kW. max
DOOR FINISH	transparent tempered glass
BENCH FINISH	wood ayous
LIGHTING	led inserted in the bench
DELIVERY TIME	5-6 weeks

FEATURES/COMPONENTS

- Electric stove with lava stone, with integrated control ignition
- Opening system with SLIDING door
- A glass wall with wall support in white or black back-painted glass finish (only in the CORNER and NICHE solution)
- Hourglass with sand for 15 minutes time duration.
- Thermo-hygrometer for monitoring temperature and humidity inside the sauna.
- Wooden tub and ladle.
- Removable wooden floor slats

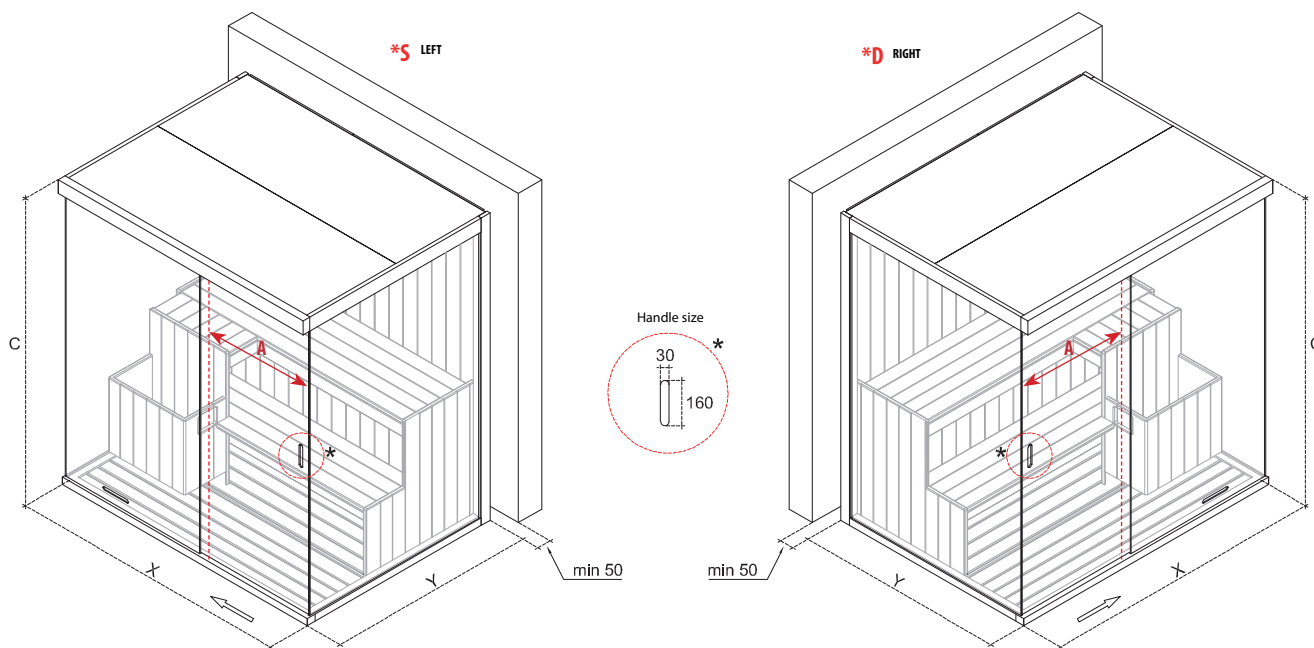


HOME AUTOMATION CONNECTION PRE-SETUP (ONLY WITH TOUCH DISPLAY SETUP):

The sauna can be integrated with compatible home automation systems thanks to the preconfigured electrical board. This allows the heater to be turned on and off directly through the system, providing advanced Comfort and convenience.

EXEN SAUNA SLIDING

TECHNICAL DRAWINGS



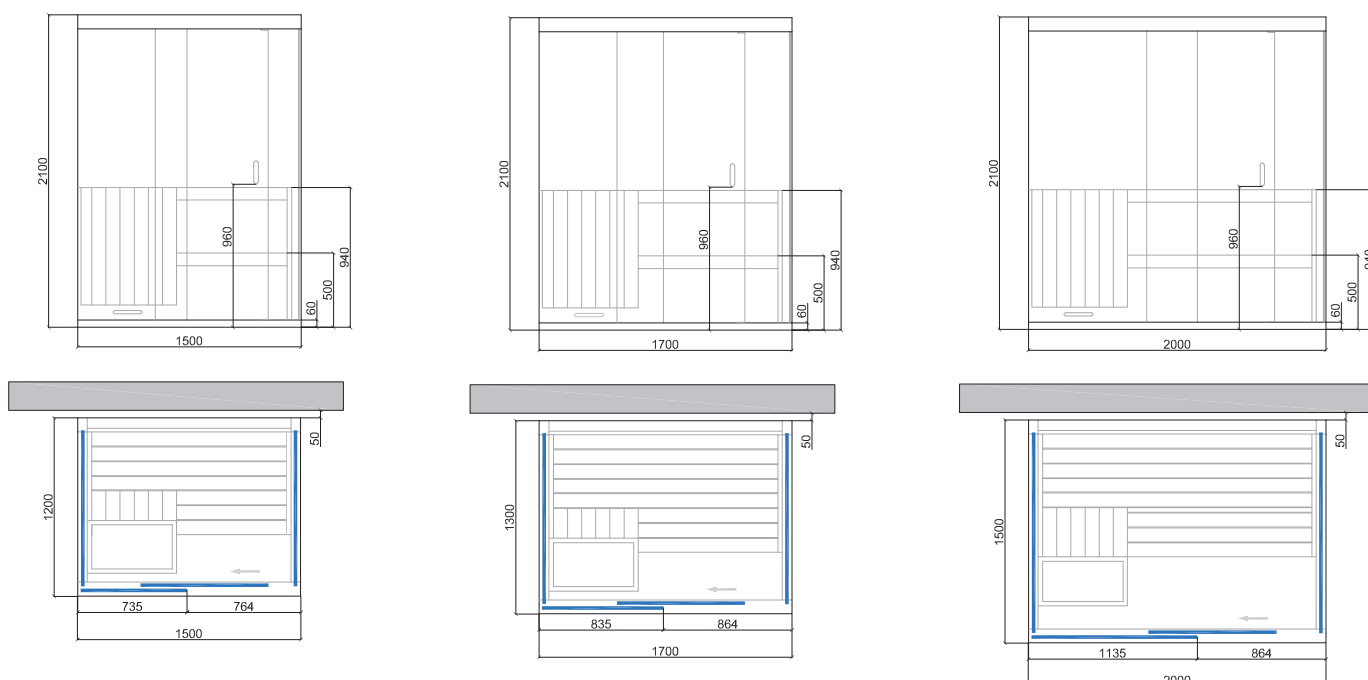
(XxY) mm	(A) mm	(C) mm	kW
1500x1200	610	2100	4,5
1700x1300	710	2100	4,5
2000x1500	710	2100	6

STANDARD HEIGHT	h. 2100 mm
GLASS THICKNESS	8 mm
HANDLE HEIGHT	16 cm
POWER SUPPLY	220-380V - Specify before the order
DOOR FINISH	tempered glass
BENCH FINISH	wood ayous

1500x1200

1700x1300

2000x1500



WOOD FINISHES



Classic Fir "Z"



Hemlock "E"



Cedar "C"
replace "E" with "C"



Canaletto walnut "Q"

SITTING SAUNA



Ayoux wood

GLASS FINISHES



Transparent Glass "P"



Extra-clear glass "X"

PRICE LIST WITH POINTS

TRANSPARENT GLASS	MEASURE	kW.	CODE	INTERIOR	TRANSPARENT	DELIVERY
	1500x1200	4,5 kW	EXPM152*/ZPAP	CLASSIC FIR	12.912	5-6 weeks
EXPM152*/EPAP			HEMLOCK	13.536	5-6 weeks	
EXPM152*/QPAP			CANALETTO WALNUT	14.687	5-6 weeks	
1700x1300	4,5 kW	EXPM173*/ZPAP	CLASSIC FIR	14.364	5-6 weeks	
		EXPM173*/EPAP	HEMLOCK	15.329	5-6 weeks	
		EXPM173*/QPAP	CANALETTO WALNUT	16.480	5-6 weeks	
2000x1500	6 kW	EXPM205*/ZPAP	CLASSIC FIR	16.936	5-6 weeks	
		EXPM205*/EPAP	HEMLOCK	18.195	5-6 weeks	
		EXPM205*/QPAP	CANALETTO WALNUT	19.329	5-6 weeks	

EXTRA-CLEAR GLASS	MEASURE	kW.	CODE	INTERIOR	EXTRA-CLEAR	DELIVERY
	1500x1200	4,5 kW	EXPM152*/ZXAX	CLASSIC FIR	13.752	5-6 weeks
EXPM152*/EXAX			HEMLOCK	14.376	5-6 weeks	
EXPM152*/QXAX			CANALETTO WALNUT	15.527	5-6 weeks	
1700x1300	4,5 kW	EXPM173*/ZXAX	CLASSIC FIR	15.324	5-6 weeks	
		EXPM173*/EXAX	HEMLOCK	16.289	5-6 weeks	
		EXPM173*/QXAX	CANALETTO WALNUT	17.440	5-6 weeks	
2000x1500	6 kW	EXPM205*/ZXAX	CLASSIC FIR	18.016	5-6 weeks	
		EXPM205*/EXAX	HEMLOCK	19.275	5-6 weeks	
		EXPM205*/QXAX	CANALETTO WALNUT	20.409	5-6 weeks	

CUSTOMIZED SIZE:

Width min. 1500 mm - depth min. 1200 mm - height min. 2110 mm
Width max. 2000 mm - depth max. 2000 mm - height max. 2110 mm

· For intermediate special sizes consider the price of the next larger size + 5%
· For special measures higher feasibility and price on request

FEATURES/COMPONENTS

Electric stove with lava stone, with integrated control ignition
LED light under the bench
Hourglass with sand for 15 minutes time duration.
Thermo-hygrometer for monitoring temperature and humidity inside the sauna.
Wooden tub and ladle.
Opening system with SLIDING door
Removable wooden floor slats

OPTIONAL:

EMERGENCY BUTTON

AWZS05	500
--------	-----

OPTIONS	COD.	
Supplementary pre-installation kit for touch display	A6F418	85

EQUIPMENTS	code	buttons in satin silver finish	buttons in matte black finish	white touch keyboard	black touch keyboard	music therapy system	Chromotherapy RGB	
Easy control 2	"B"	■						+ 1.200
Easy control 2 BLACK	"Y"		■					+ 1.200
Full Control	"E"	■		■				+ 1.800
Full Control BLACK	"J"		■		■			+ 1.800
Relax	"F"	■				■	■	+ 2.000
Relax BLACK	"W"		■			■	■	+ 2.000
Total Relax	"G"	■		■		■	■	+ 2.700
Total Relax BLACK	"Z"		■		■	■	■	+ 2.700

Replace "A" with the corresponding code for the chosen equipments.

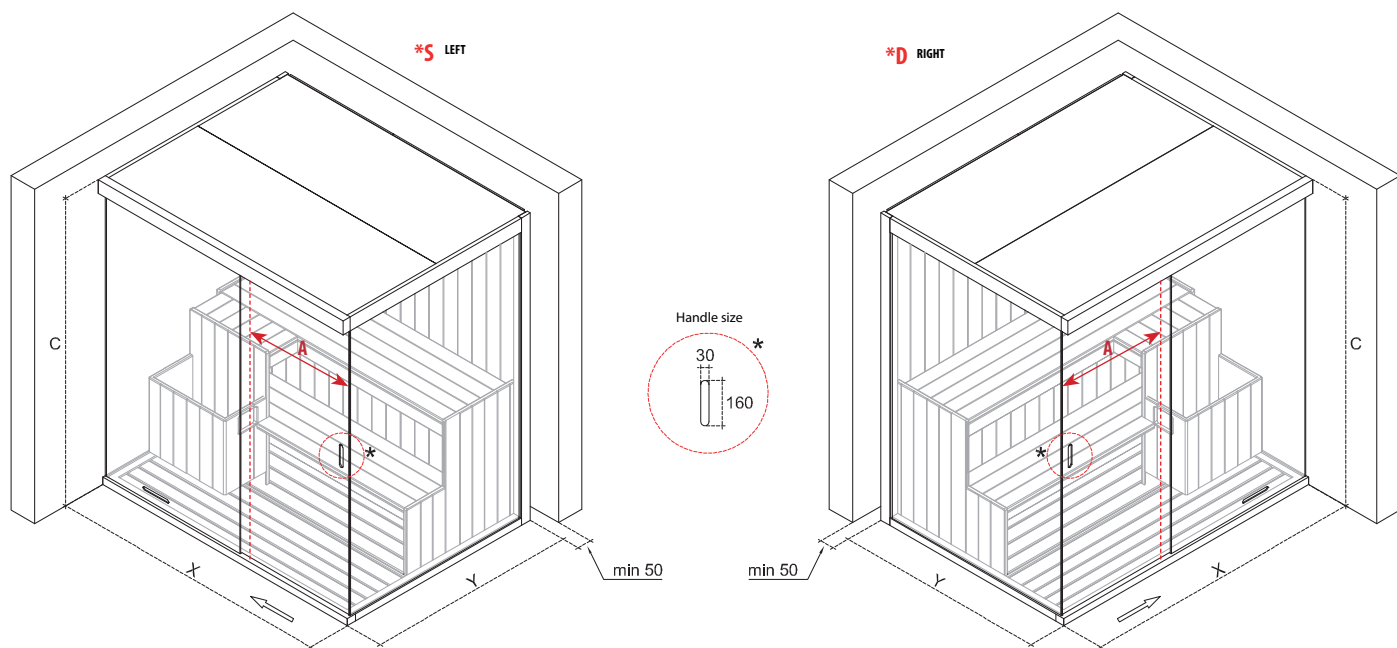
See the pre-installation sheet for the touch display on page 177

For special solutions and assembling ask for feasibility

Some small components always remain silver

EXEN SAUNA SLIDING

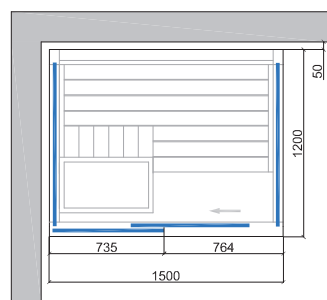
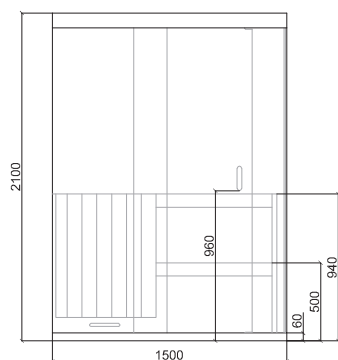
TECHNICAL DRAWINGS



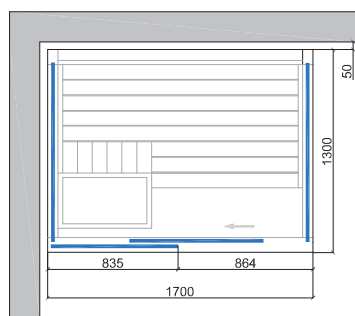
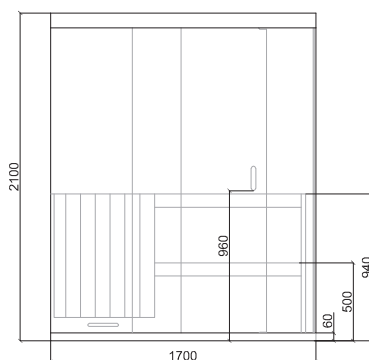
(XxY) mm	(A) mm	(C) mm	kW
1500x1200	610	2100	4,5
1700x1300	710	2100	4,5
2000x1500	710	2100	6

STANDARD HEIGHT	h. 2100 mm
GLASS THICKNESS	8 mm
HANDLE HEIGHT	16 cm
POWER SUPPLY	220-380V - Specify before the order
DOOR FINISH	tempered glass
BENCH FINISH	wood ayous

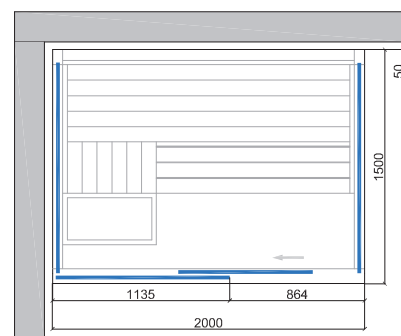
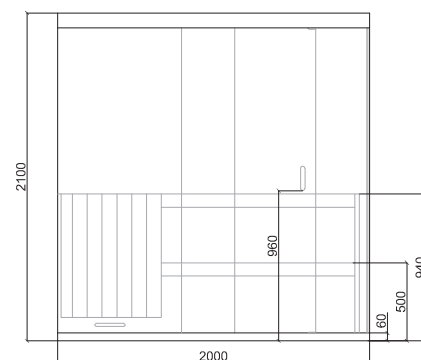
1500x1200



1700x1300



2000x1500



WOOD FINISHES



Classic Fir "Z"



Hemlock "E"



Cedar "C"
replace " _/E_ " with " _/C_ "



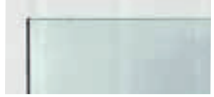
Canaletto walnut "Q"

SITTING SAUNA



Ayoux wood

GLASS FINISHES



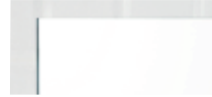
Transparent Glass "P"



Extra-clear glass "X"



Black back-painted glass "Z"



White back-painted glass "1"

PRICE LIST WITH POINTS

TRANSPARENT GLASS	MEASURE	kW.	CODE	INTERIOR	BLACK PAINTED - Z	WHITE PAINTED - 1	DELIVERY
	1500x1200	4,5 kW	EXAM152*/Z_AP	CLASSIC FIR	13.152	13.152	5-6 weeks
EXAM152*/E_AP			HEMLOCK	13.776	13.776	5-6 weeks	
EXAM152*/Q_AP			CANALETTO WALNUT	14.927	14.927	5-6 weeks	
1700x1300	4,5 kW	EXAM173*/Z_AP	CLASSIC FIR	14.604	14.604	5-6 weeks	
		EXAM173*/E_AP	HEMLOCK	15.569	15.569	5-6 weeks	
		EXAM173*/Q_AP	CANALETTO WALNUT	16.720	16.720	5-6 weeks	
2000x1500	6 kW	EXAM205*/Z_AP	CLASSIC FIR	17.176	17.176	5-6 weeks	
		EXAM205*/E_AP	HEMLOCK	18.435	18.435	5-6 weeks	
		EXAM205*/Q_AP	CANALETTO WALNUT	19.569	19.569	5-6 weeks	

EXTRA-CLEAR GLASS	MEASURE	kW.	CODE	INTERIOR	BLACK PAINTED - Z	WHITE PAINTED - 1	DELIVERY
	1500x1200	4,5 kW	EXAM152*/Z_AX	CLASSIC FIR	13.992	13.992	5-6 weeks
EXAM152*/E_AX			HEMLOCK	14.616	14.616	5-6 weeks	
EXAM152*/Q_AX			CANALETTO WALNUT	15.767	15.767	5-6 weeks	
1700x1300	4,5 kW	EXAM173*/Z_AX	CLASSIC FIR	15.564	15.564	5-6 weeks	
		EXAM173*/E_AX	HEMLOCK	16.529	16.529	5-6 weeks	
		EXAM173*/Q_AX	CANALETTO WALNUT	17.680	17.680	5-6 weeks	
2000x1500	6 kW	EXAM205*/Z_AX	CLASSIC FIR	18.256	18.256	5-6 weeks	
		EXAM205*/E_AX	HEMLOCK	19.515	19.515	5-6 weeks	
		EXAM205*/Q_AX	CANALETTO WALNUT	20.649	20.649	5-6 weeks	

CUSTOMIZED SIZE:

Width min. 1500 mm - depth min. 1200 mm - height min. 2110 mm
Width max. 2000 mm - depth max. 2000 mm - height max. 2110 mm

· For intermediate special sizes consider the price of the next larger size + 5%
· For special measures higher feasibility and price on request

FEATURES/COMPONENTS

Electric stove with lava stone, with integrated control ignition
LED light under the bench
Hourglass with sand for 15 minutes time duration.
Thermo-hygrometer for monitoring temperature and humidity inside the sauna.
Wooden tub and ladle.
Opening system with SLIDING door
A glass wall with wall support in white or black back-painted glass finish
Removable wooden floor slats

OPTIONAL:

EMERGENCY BUTTON

AWZS05	500
--------	-----

OPTIONS	COD.	
Supplementary pre-installation kit for touch display	A6F418	85

EQUIPMENTS	code	buttons in satin silver finish	buttons in matte black finish	white touch keyboard	black touch keyboard	music therapy system	Chromotherapy RGB	
Easy control 2	"B"	■						+ 1.200
Easy control 2 BLACK	"Y"		■					+ 1.200
Full Control	"E"	■		■				+ 1.800
Full Control BLACK	"J"		■		■			+ 1.800
Relax	"F"	■				■	■	+ 2.000
Relax BLACK	"W"		■			■	■	+ 2.000
Total Relax	"G"	■		■		■	■	+ 2.700
Total Relax BLACK	"Z"		■		■	■	■	+ 2.700

Replace "A" with the corresponding code for the chosen equipments.

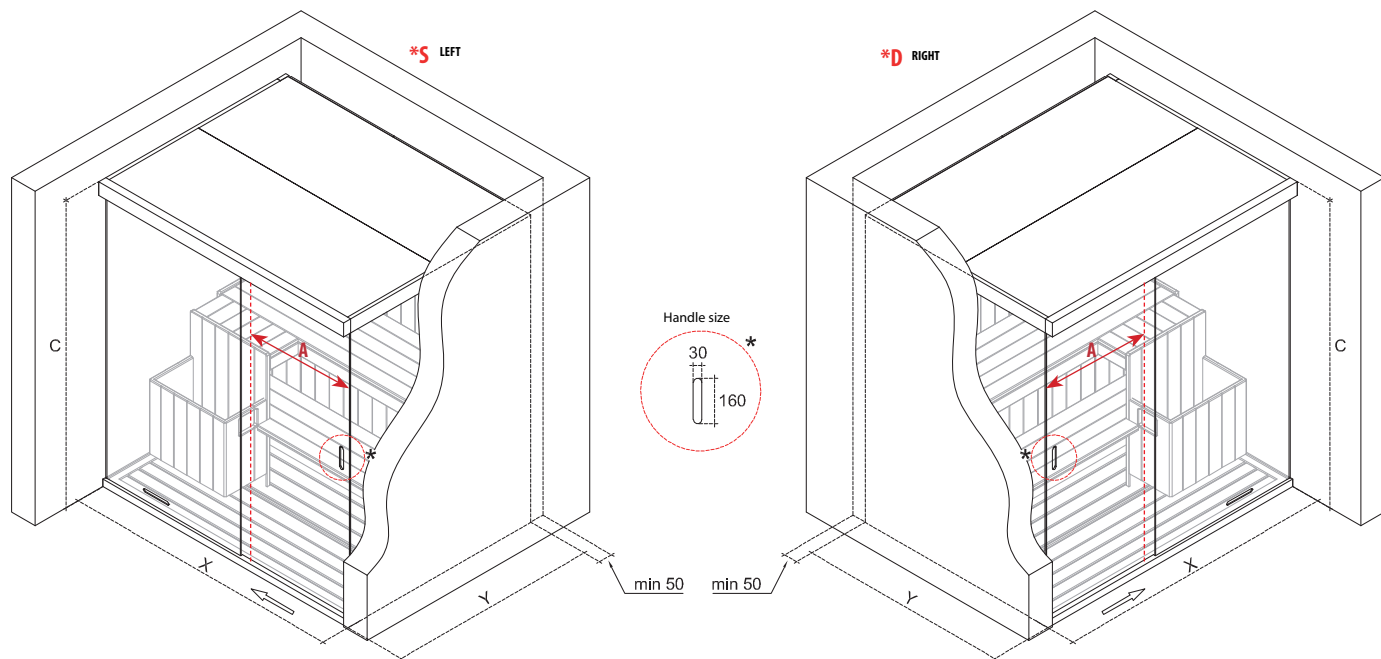
See the pre-installation sheet for the touch display on page 177

For special solutions and assembling ask for feasibility

Some small components always remain silver

EXEN SAUNA SLIDING

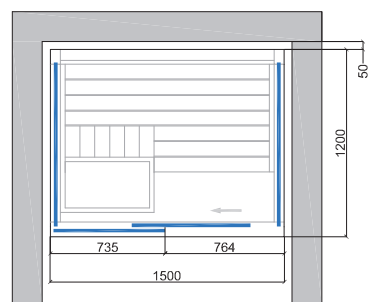
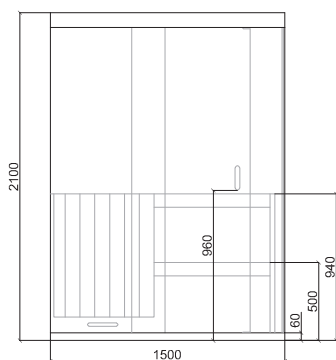
TECHNICAL DRAWINGS



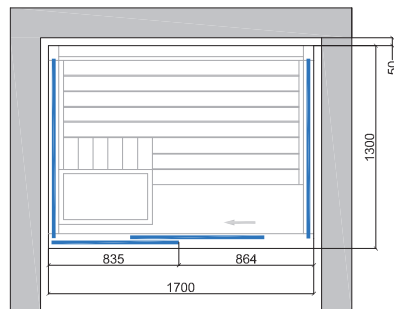
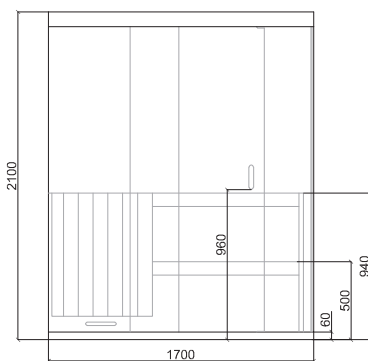
(XxY) mm	(A) mm	(C) mm	kW
1500x1200	610	2100	4,5
1700x1300	710	2100	4,5
2000x1500	710	2100	6

STANDARD HEIGHT	h. 2100 mm
GLASS THICKNESS	8 mm
HANDLE HEIGHT	16 cm
POWER SUPPLY	220-380V - Specify before the order
DOOR FINISH	tempered glass
BENCH FINISH	wood ayous

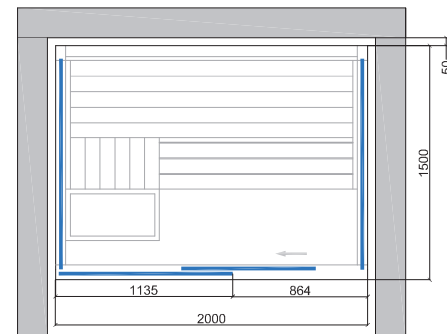
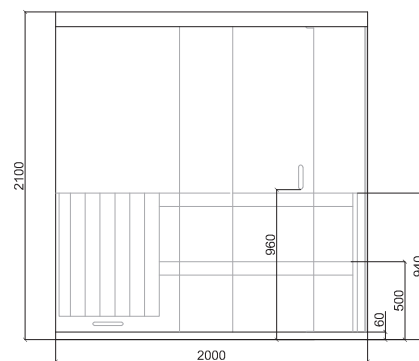
1500x1200



1700x1300



2000x1500



WOOD FINISHES



Classic Fir "Z"



Hemlock "E"



Cedar "C"
replace " _/E_ " with " _/C_ "



Canaletto walnut "Q"

SITTING SAUNA



Ayouos wood

GLASS FINISHES



Transparent Glass "P"



Extra-clear glass "X"



Black back-painted glass "Z"



White back-painted glass "1"

PRICE LIST WITH POINTS

TRANSPARENT GLASS	MEASURE	kW.	CODE	INTERIOR	BLACK PAINTED - Z	WHITE PAINTED - 1	DELIVERY
	1500x1200	4,5 kW	EXNM152*/Z_AP	CLASSIC FIR	13.392	13.392	5-6 weeks
EXNM152*/E_AP			HEMLOCK	14.016	14.016	5-6 weeks	
EXNM152*/Q_AP			CANALETTO WALNUT	15.167	15.167	5-6 weeks	
1700x1300	4,5 kW	EXNM173*/Z_AP	CLASSIC FIR	14.844	14.844	5-6 weeks	
		EXNM173*/E_AP	HEMLOCK	15.809	15.809	5-6 weeks	
		EXNM173*/Q_AP	CANALETTO WALNUT	16.960	16.960	5-6 weeks	
2000x1500	6 kW	EXNM205*/Z_AP	CLASSIC FIR	17.416	17.416	5-6 weeks	
		EXNM205*/E_AP	HEMLOCK	18.675	18.675	5-6 weeks	
		EXNM205*/Q_AP	CANALETTO WALNUT	19.809	19.809	5-6 weeks	

EXTRA-CLEAR GLASS	MEASURE	kW.	CODE	INTERIOR	BLACK PAINTED - Z	WHITE PAINTED - 1	DELIVERY
	1500x1200	4,5 kW	EXNM152*/Z_AX	CLASSIC FIR	14.232	14.232	5-6 weeks
EXNM152*/E_AX			HEMLOCK	14.856	14.856	5-6 weeks	
EXNM152*/Q_AX			CANALETTO WALNUT	16.007	16.007	5-6 weeks	
1700x1300	4,5 kW	EXNM173*/Z_AX	CLASSIC FIR	15.804	15.804	5-6 weeks	
		EXNM173*/E_AX	HEMLOCK	16.769	16.769	5-6 weeks	
		EXNM173*/Q_AX	CANALETTO WALNUT	17.920	17.920	5-6 weeks	
2000x1500	6 kW	EXNM205*/Z_AX	CLASSIC FIR	18.496	18.496	5-6 weeks	
		EXNM205*/E_AX	HEMLOCK	19.755	19.755	5-6 weeks	
		EXNM205*/Q_AX	CANALETTO WALNUT	20.889	20.889	5-6 weeks	

CUSTOMIZED SIZE:

Width min. 1500 mm - depth min. 1200 mm - height min. 2110 mm
Width max. 2000 mm - depth max. 2000 mm - height max. 2110 mm

· For intermediate special sizes consider the price of the next larger size + 5%
· For special measures higher feasibility and price on request

FEATURES/COMPONENTS

Electric stove with lava stone, with integrated control ignition
LED light under the bench
Hourglass with sand for 15 minutes time duration.
Thermo-hygrometer for monitoring temperature and humidity inside the sauna.
Wooden tub and ladle.
Opening system with SLIDING door
A glass wall with wall support in white or black back-painted glass finish
Removable wooden floor slats

OPTIONAL:

EMERGENCY BUTTON

AWZS05	500
--------	-----

OPTIONS	COD.	
Supplementary pre-installation kit for touch display	A6F418	85

EQUIPMENTS	code	buttons in satin silver finish	buttons in matte black finish	white touch keyboard	black touch keyboard	music therapy system	Chromotherapy RGB	
Easy control 2	" B "	■						+ 1.200
Easy control 2 BLACK	" Y "		■					+ 1.200
Full Control	" E "	■		■				+ 1.800
Full Control BLACK	" J "		■		■			+ 1.800
Relax	" F "	■				■	■	+ 2.000
Relax BLACK	" W "		■			■	■	+ 2.000
Total Relax	" G "	■		■		■	■	+ 2.700
Total Relax BLACK	" Z "		■		■	■	■	+ 2.700

Replace "A" with the corresponding code for the chosen equipments.

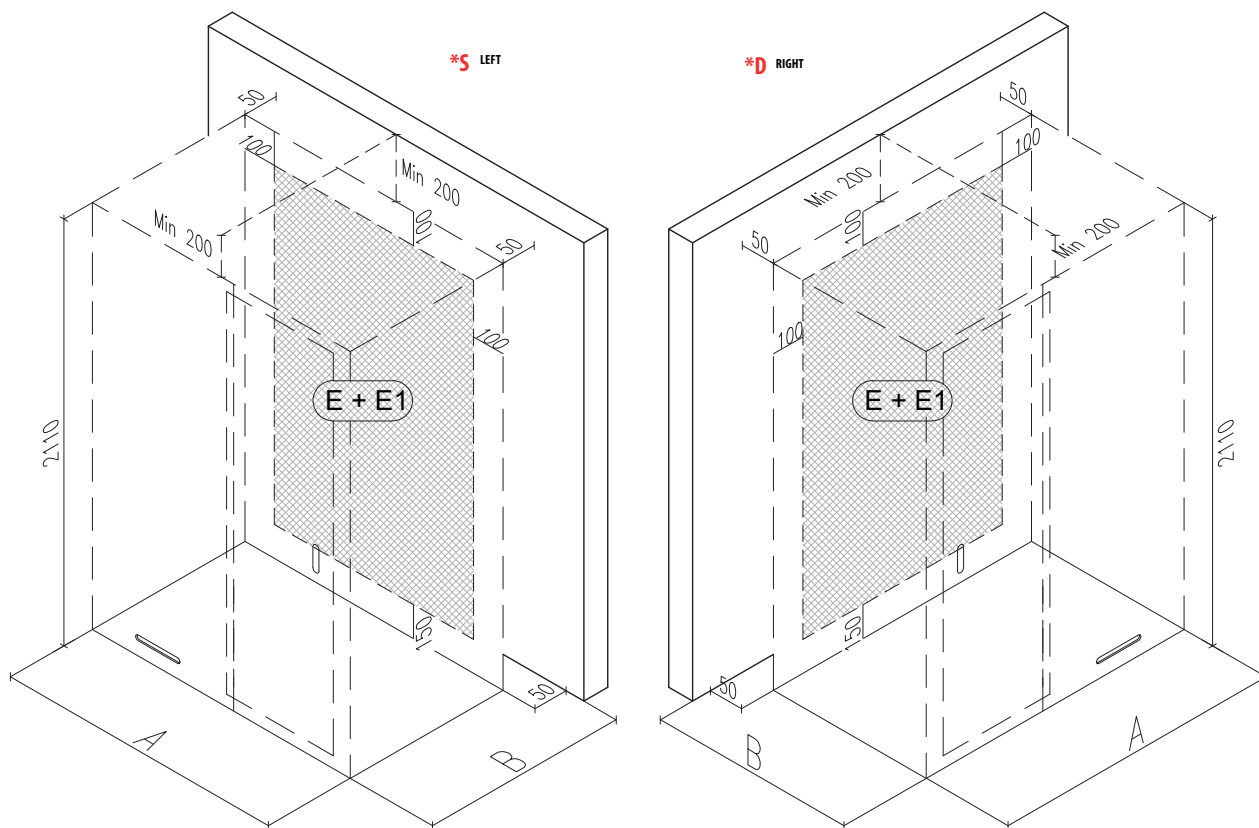
See the pre-installation sheet for the touch display on page 177

For special solutions and assembling ask for feasibility

Some small components always remain silver

PRE-INSTALLATION SHEET

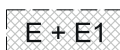
3 SIDE



Measures (A x B)	KW	single-phase power supply	three-phase supply
1500X1200	4,5 KW	H07RN-F 3x2.5 mm ²	H07RN-F 5x1.5 mm ²
1700X1300	4,5 KW	H07RN-F 3x2.5 mm ²	H07RN-F 5x1.5 mm ²
2000X1500	6 KW	H07RN-F 3x6 mm ²	H07RN-F 5x1.5 mm ²

E Power supply 220-380V (sauna stove)

E1 Power supply 220V - 50Hz (LED)



Fully inspectable area for hydraulic and electrical connections

ELECTRICAL SAFETY

The product assumes that the system to which the sauna is connected, and the room in which the product is installed, meet the safety requirements laid down by standards and laws, among which the following are particularly important:

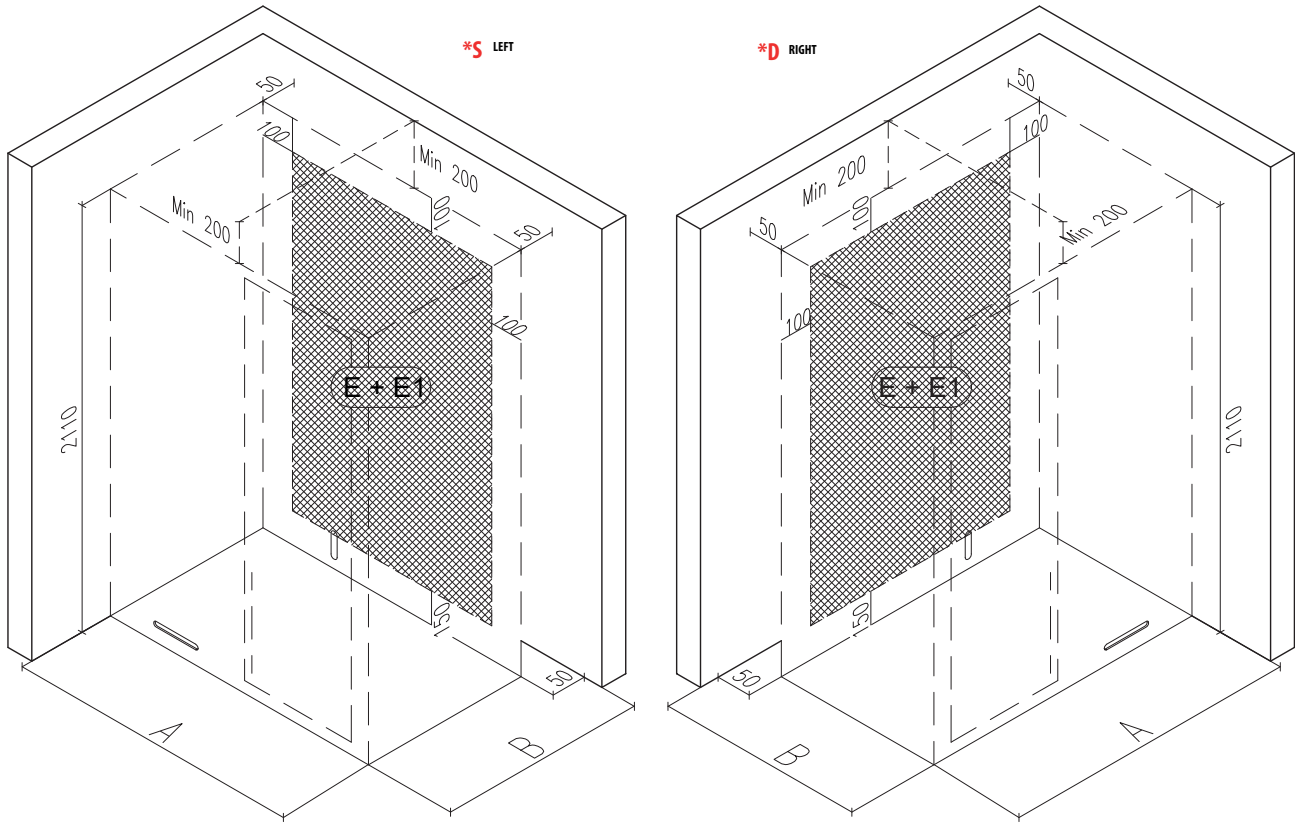
- Have an efficient protection circuit (earthing);
- Have a highly sensitive differential protection device according to the output of the heat generator;
- Limitation of electrical devices in the zones (zones 0, 1, 2, 3) of the bathroom and equal potential of the same
- Provide a mains disconnection switch with contact opening < 3 mm and characteristics suitable for the sauna's rated data
- Provision of a suitable cable connection system in accordance with the installed power rating.
- Use of certified electrical material according to standard

Power supply 220-380V

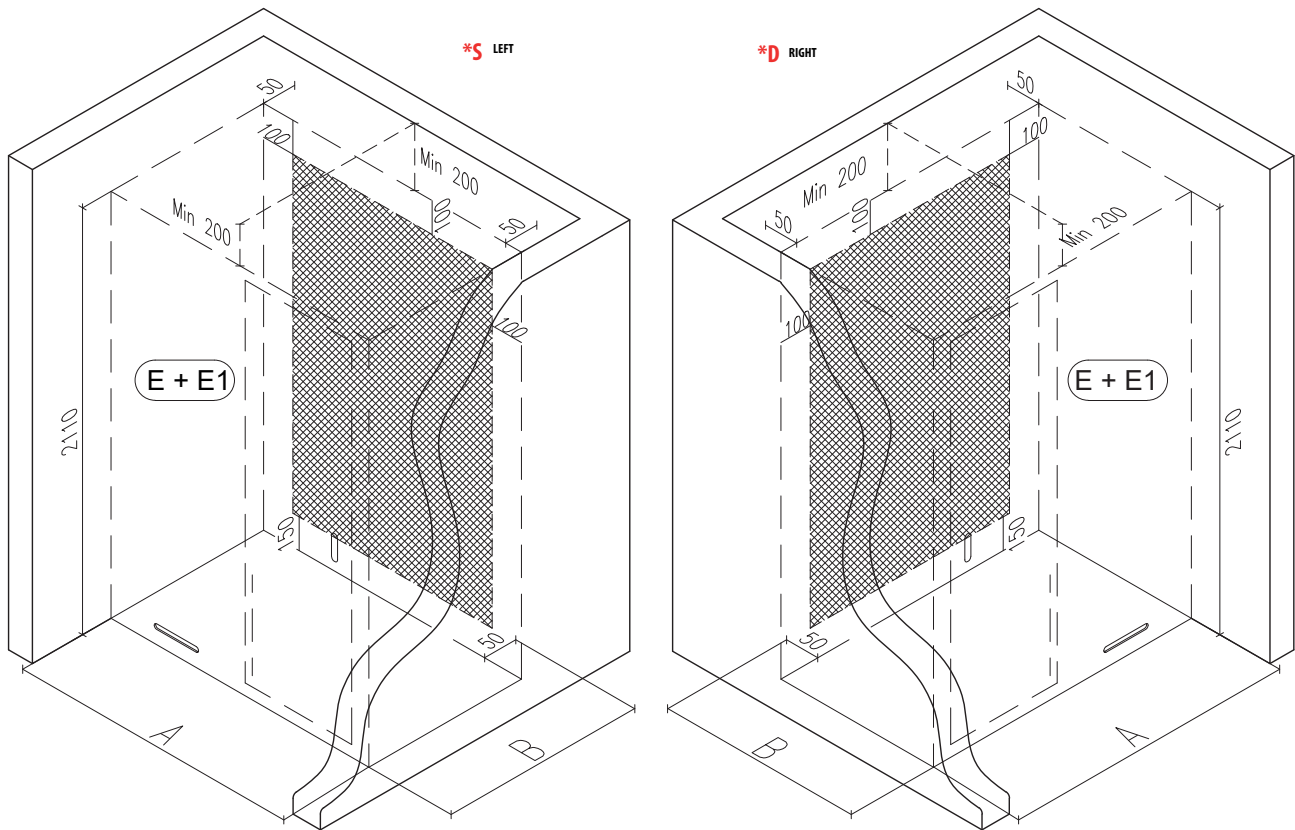
N.B: please specify before ordering

PRE-INSTALLATION SHEET

CORNER



NICHE





EXEN SAUNA P I V O T

We are accustomed to seeing Finnish saunas made entirely of wood, but Exen differs from this concept,

as it is composed mainly of a fir wood back wall where the two bench levels are embedded, while the covering walls are made of glass.

STYLE DETAILS



PIVOT FINNISH SAUNA

WOOD FINISHES



Hemlock "E"



Classic Fir "Z"

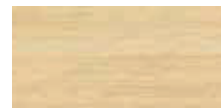


Cedar "C"



Canaletto walnut "Q"

PLATFORM AND BENCH



Ayoux wood

GLASS FINISHES



Transparent Glass "P"



Extra-clear glass "X"



Black back-painted glass "Z"



White back-painted glass "1"

CUSTOM SIZE	width max. 2000 mm
	depth max. 2000 mm
	height max. 2110 mm
STANDARD DIMENSIONS	1500x1200 mm
	1700x1300 mm
	2000x1500 mm
STANDARD HEIGHT	h. 2100 mm
GLASS THICKNESS	8 mm
HANDLE	perforated glass
HANDLE HEIGHT	160 mm
POWER SUPPLY	220-380V - Specify before the order
NUMBER OF PEOPLE MAX.	3 (art. 2100x1500)
CONSUMPTION	4.5 kW. min - 6 kW. max
DOOR FINISH	transparent tempered glass
BENCH FINISH	wood ayoux
LIGHTING	led inserted in the bench
DELIVERY TIME	5-6 weeks

FEATURES/COMPONENTS

Electric stove with lava stone, with integrated control ignition

Opening system with HINGED door

A glass wall with wall support in white or black back-painted glass finish (only in the CORNER and NICHE solution)

Hourglass with sand for 15 minutes time duration.

Thermo-hygrometer for monitoring temperature and humidity inside the sauna.

Wooden tub and ladle.

Removable wooden floor slats

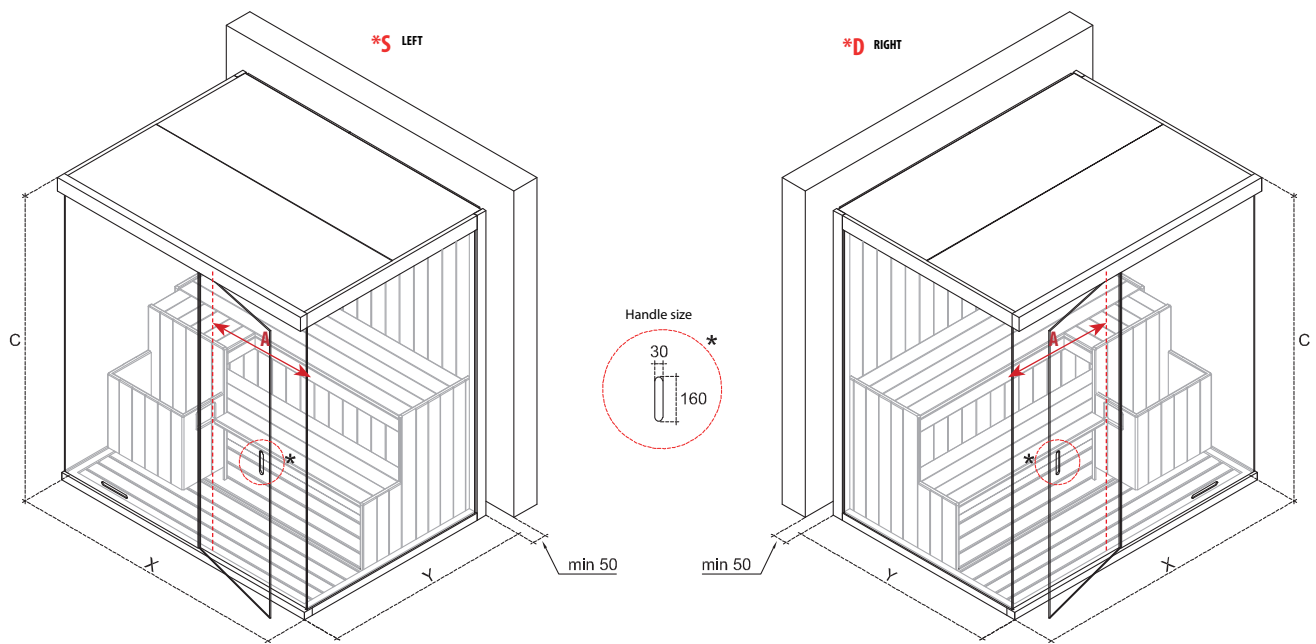


HOME AUTOMATION CONNECTION PRE-SETUP (ONLY WITH TOUCH DISPLAY SETUP):

The sauna can be integrated with compatible home automation systems thanks to the preconfigured electrical board. This allows the heater to be turned on and off directly through the system, providing advanced Comfort and convenience.

EXEN SAUNA PIVOT

TECHNICAL DRAWINGS



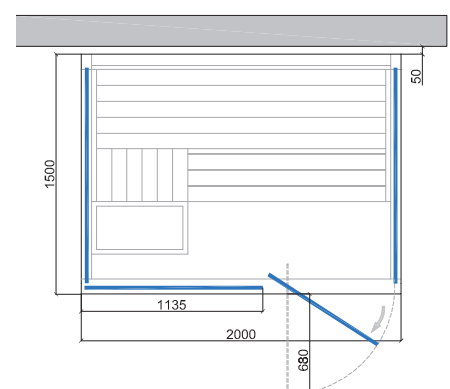
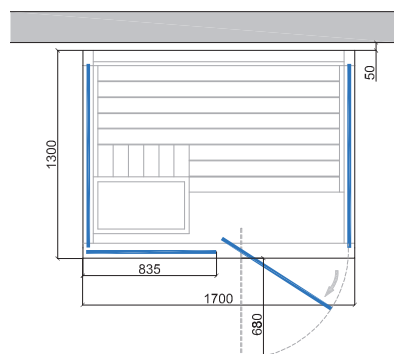
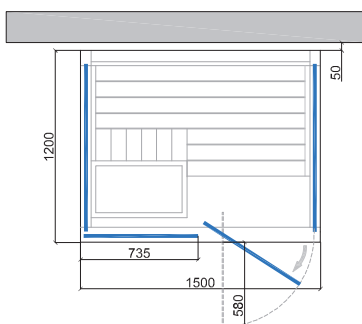
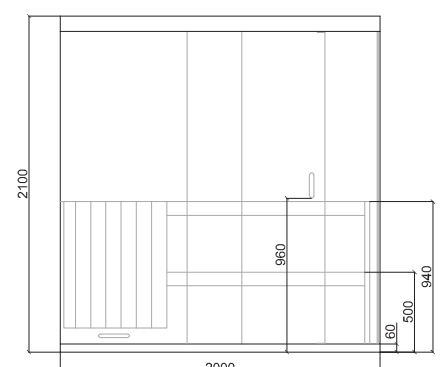
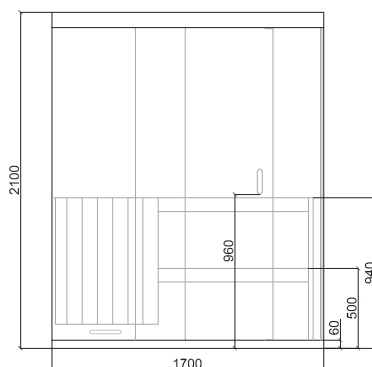
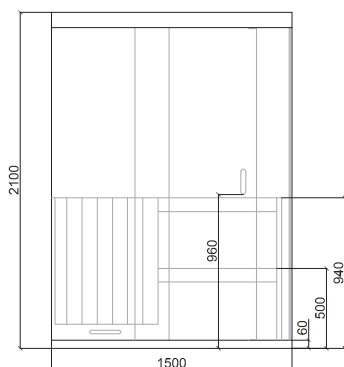
(XxY) mm	(A) mm	(C) mm	kW
1500x1200	610	2100	4,5
1700x1300	710	2100	4,5
2000x1500	710	2100	6

STANDARD HEIGHT	h. 2100 mm
GLASS THICKNESS	8 mm
HANDLE HEIGHT	16 cm
POWER SUPPLY	220-380V - Specify before the order
DOOR FINISH	tempered glass
BENCH FINISH	wood ayous

1500x1200

1700x1300

2000x1500



WOOD FINISHES



Classic Fir "Z"



Hemlock "E"



Cedar "C"
replace "E" with "C"



Canaletto walnut "Q"

SITTING SAUNA



Ayouos wood

GLASS FINISHES



Transparent Glass "P"



Extra-clear glass "X"

PRICE LIST WITH POINTS

TRANSPARENT GLASS	MEASURE	kW.	CODE	INTERIOR	TRANSPARENT	DELIVERY
	1500X1200	4,5 kW	EPPM152*/ZAP	CLASSIC FIR	13.049	5-6 weeks
EPPM152*/EAP			HEMLOCK	13.673	5-6 weeks	
EPPM152*/QAP			CANALETTO WALNUT	14.824	5-6 weeks	
1700x1300	4,5 kW	EPPM173*/ZAP	CLASSIC FIR	14.501	5-6 weeks	
		EPPM173*/EAP	HEMLOCK	15.466	5-6 weeks	
		EPPM173*/QAP	CANALETTO WALNUT	16.617	5-6 weeks	
2000x1500	6 kW	EPPM205*/ZAP	CLASSIC FIR	17.073	5-6 weeks	
		EPPM205*/EAP	HEMLOCK	18.332	5-6 weeks	
		EPPM205*/QAP	CANALETTO WALNUT	19.466	5-6 weeks	

EXTRA-CLEAR GLASS	MEASURE	kW.	CODE	INTERIOR	EXTRA-CLEAR	DELIVERY
	1500X1200	4,5 kW	EPPM152*/ZAX	CLASSIC FIR	13.889	5-6 weeks
EPPM152*/EAX			HEMLOCK	14.513	5-6 weeks	
EPPM152*/QAX			CANALETTO WALNUT	15.664	5-6 weeks	
1700x1300	4,5 kW	EPPM173*/ZAX	CLASSIC FIR	15.461	5-6 weeks	
		EPPM173*/EAX	HEMLOCK	16.426	5-6 weeks	
		EPPM173*/QAX	CANALETTO WALNUT	17.577	5-6 weeks	
2000x1500	6 kW	EPPM205*/ZAX	CLASSIC FIR	18.153	5-6 weeks	
		EPPM205*/EAX	HEMLOCK	19.412	5-6 weeks	
		EPPM205*/QAX	CANALETTO WALNUT	20.655	5-6 weeks	

CUSTOMIZED SIZE:

Width min. 1500 mm - depth min. 1200 mm - height min. 2110 mm
Width max. 2000 mm - depth max. 2000 mm - height max. 2110 mm

- For intermediate special sizes consider the price of the next larger size + 5%
- For special measures higher feasibility and price on request

FEATURES/COMPONENTS

Electric stove with lava stone, with integrated control ignition
LED light under the bench
Hourglass with sand for 15 minutes time duration.
Thermo-hygrometer for monitoring temperature and humidity inside the sauna.
Wooden tub and ladle.
Opening system with HINGED door
Removable wooden floor slats

OPTIONAL:

EMERGENCY BUTTON

AWZS05	500
--------	-----

OPTIONS	COD.	
Supplementary pre-installation kit for touch display	A6F418	85

EQUIPMENTS	code	buttons in satin silver finish	buttons in matte black finish	white touch keyboard	black touch keyboard	music therapy system	Chromotherapy RGB	
Easy control 2	"B"	■						+ 1.200
Easy control 2 BLACK	"Y"		■					+ 1.200
Full Control	"E"	■		■				+ 1.800
Full Control BLACK	"J"		■		■			+ 1.800
Relax	"F"	■				■	■	+ 2.000
Relax BLACK	"W"		■			■	■	+ 2.000
Total Relax	"G"	■		■		■	■	+ 2.700
Total Relax BLACK	"Z"		■		■	■	■	+ 2.700

Replace "A" with the corresponding code for the chosen equipments.

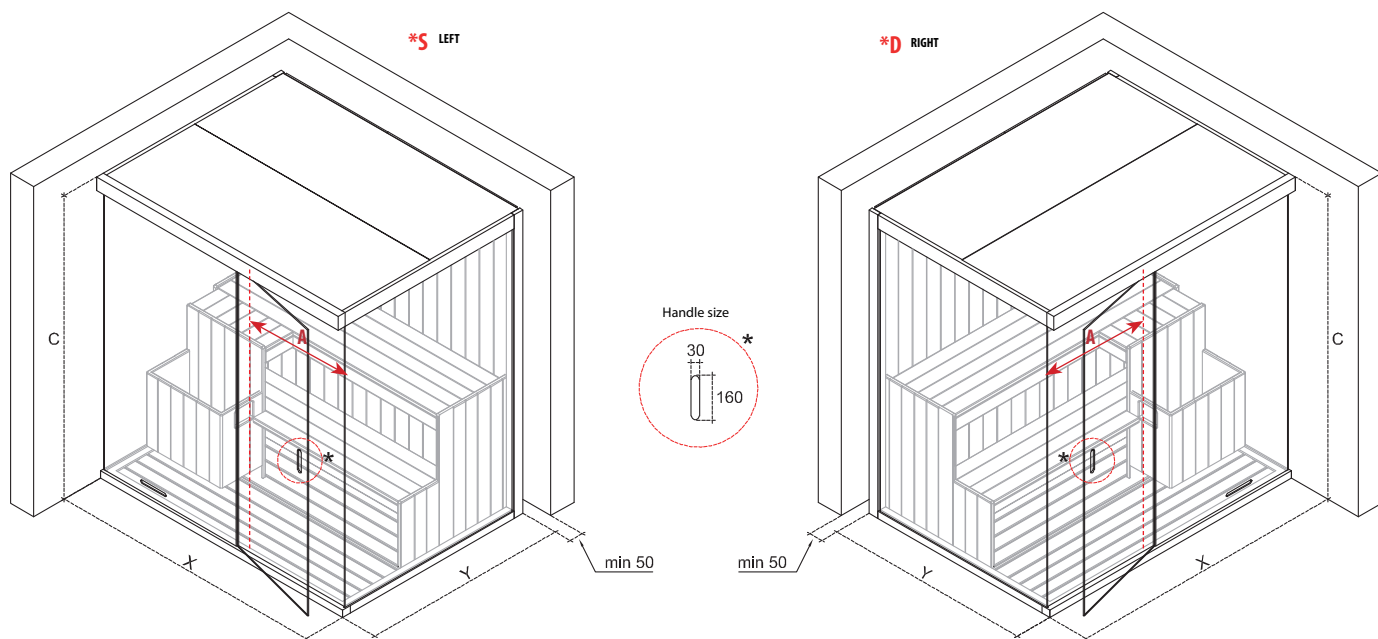
See the pre-installation sheet for the touch display on page 177

For special solutions and assembling ask for feasibility

Some small components always remain silver

EXEN SAUNA PIVOT

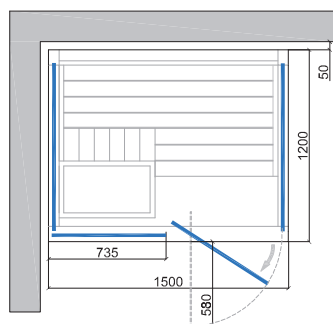
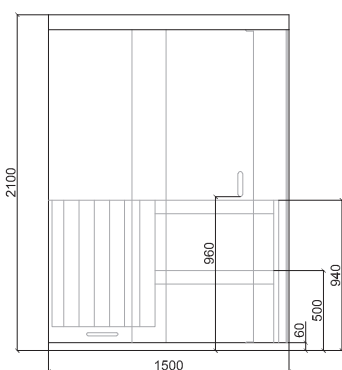
TECHNICAL DRAWINGS



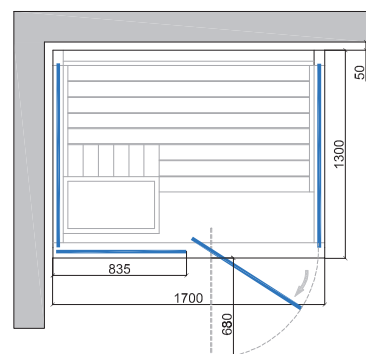
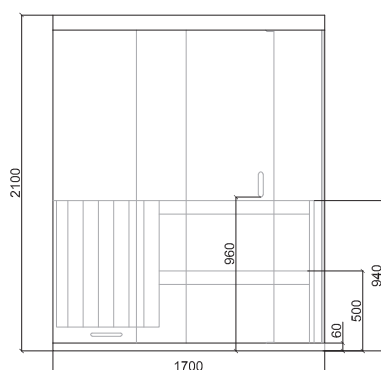
(XxY) mm	(A) mm	(C) mm	kW
1500x1200	610	2100	4,5
1700x1300	710	2100	4,5
2000x1500	710	2100	6

STANDARD HEIGHT	h. 2100 mm
GLASS THICKNESS	8 mm
HANDLE HEIGHT	16 cm
POWER SUPPLY	220-380V - Specify before the order
DOOR FINISH	tempered glass
BENCH FINISH	wood ayous

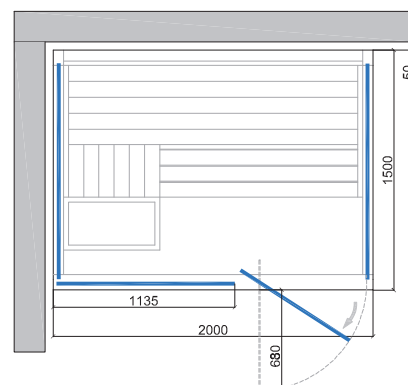
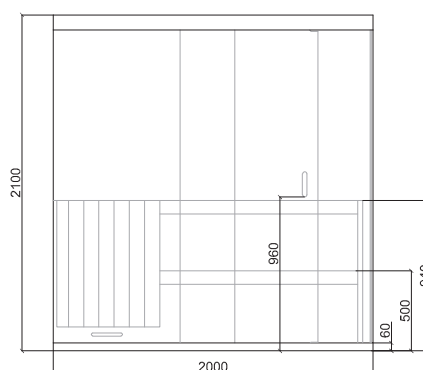
1500x1200



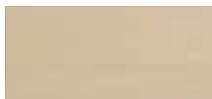
1700x1300



2000x1500



WOOD FINISHES



Classic Fir "Z"



Hemlock "E"



Cedar "C"
replace " _/E_ " with " _/C_ "



Canaletto walnut "Q"

SITTING SAUNA



Ayouz wood

GLASS FINISHES



Transparent Glass "P"



Extra-clear glass "X"



Black back-painted glass "Z"



White back-painted glass "1"

PRICE LIST WITH POINTS

TRANSPARENT GLASS	MEASURE	kW.	CODE	INTERIOR	BLACK PAINTED - Z	WHITE PAINTED - 1	DELIVERY
	1500x1200	4,5 kW	EPAM152*/Z_AP	CLASSIC FIR	13.289	13.289	5-6 weeks
EPAM152*/E_AP			HEMLOCK	13.913	13.913	5-6 weeks	
EPAM152*/Q_AP			CANALETTO WALNUT	15.064	15.064	5-6 weeks	
1700x1300	4,5 kW	EPAM173*/Z_AP	CLASSIC FIR	14.741	14.741	5-6 weeks	
		EPAM173*/E_AP	HEMLOCK	15.701	15.701	5-6 weeks	
		EPAM173*/Q_AP	CANALETTO WALNUT	16.857	16.857	5-6 weeks	
2000x1500	6 kW	EPAM205*/Z_AP	CLASSIC FIR	17.313	17.313	5-6 weeks	
		EPAM205*/E_AP	HEMLOCK	18.572	18.572	5-6 weeks	
		EPAM205*/Q_AP	CANALETTO WALNUT	19.706	19.706	5-6 weeks	

EXTRA-CLEAR GLASS	MEASURE	kW.	CODE	INTERIOR	BLACK PAINTED - Z	WHITE PAINTED - 1	DELIVERY
	1500x1200	4,5 kW	EPAM152*/Z_AX	CLASSIC FIR	14.129	14.129	5-6 weeks
EPAM152*/E_AX			HEMLOCK	14.753	14.753	5-6 weeks	
EPAM152*/Q_AX			CANALETTO WALNUT	15.904	15.904	5-6 weeks	
1700x1300	4,5 kW	EPAM173*/Z_AX	CLASSIC FIR	15.701	15.701	5-6 weeks	
		EPAM173*/E_AX	HEMLOCK	16.666	16.666	5-6 weeks	
		EPAM173*/Q_AX	CANALETTO WALNUT	17.817	17.817	5-6 weeks	
2000x1500	6 kW	EPAM205*/Z_AX	CLASSIC FIR	18.393	18.393	5-6 weeks	
		EPAM205*/E_AX	HEMLOCK	19.652	19.652	5-6 weeks	
		EPAM205*/Q_AX	CANALETTO WALNUT	20.786	20.786	5-6 weeks	

CUSTOMIZED SIZE:

Width min. 1500 mm - depth min. 1200 mm - height min. 2110 mm
Width max. 2000 mm - depth max. 2000 mm - height max. 2110 mm

· For intermediate special sizes consider the price of the next larger size + 5%

· For special measures higher feasibility and price on request

FEATURES/COMPONENTS

Electric stove with lava stone, with integrated control ignition
LED light under the bench
Hourglass with sand for 15 minutes time duration.
Thermo-hygrometer for monitoring temperature and humidity inside the sauna.
Wooden tub and ladle.
Opening system with HINGED door
A glass wall with wall support in white or black back-painted glass finish
Removable wooden floor slats

OPTIONAL:

EMERGENCY BUTTON

AWZS05	500
--------	-----

OPTIONS	COD.	
Supplementary pre-installation kit for touch display	A6F418	85

EQUIPMENTS	code	buttons in satin silver finish	buttons in matte black finish	white touch keyboard	black touch keyboard	music therapy system	Chromotherapy RGB	
Easy control 2	"B"	■						+ 1.200
Easy control 2 BLACK	"Y"		■					+ 1.200
Full Control	"E"			■				+ 1.800
Full Control BLACK	"J"				■			+ 1.800
Relax	"F"	■				■	■	+ 2.000
Relax BLACK	"W"		■			■	■	+ 2.000
Total Relax	"G"	■		■		■	■	+ 2.700
Total Relax BLACK	"Z"		■		■	■	■	+ 2.700

Replace "A" with the corresponding code for the chosen equipments.

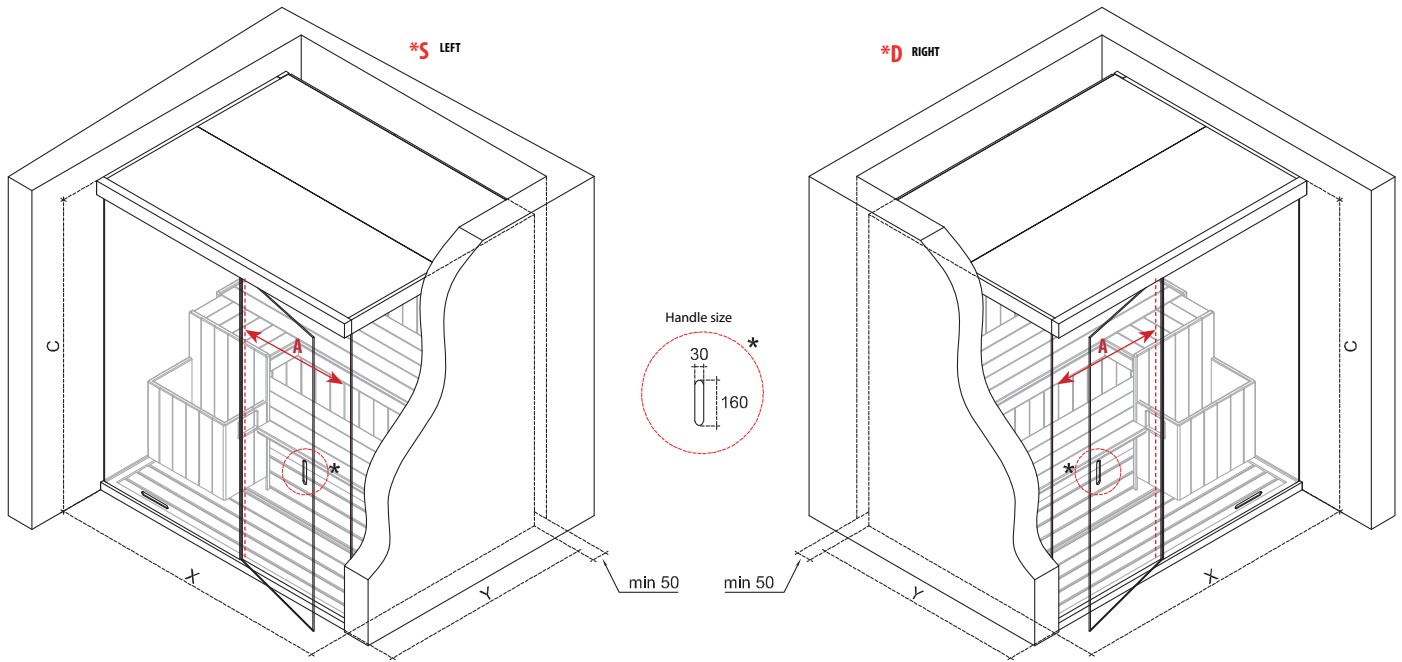
See the pre-installation sheet for the touch display on page 177

For special solutions and assembling ask for feasibility

Some small components always remain silver

EXEN SAUNA PIVOT

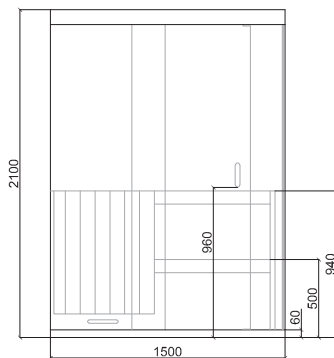
TECHNICAL DRAWINGS



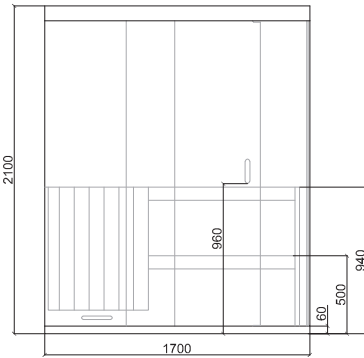
(XxY) mm	(A) mm	(C) mm	kW
1500x1200	610	2100	4,5
1700x1300	710	2100	4,5
2000x1500	710	2100	6

STANDARD HEIGHT	h. 2100 mm
GLASS THICKNESS	8 mm
HANDLE HEIGHT	16 cm
POWER SUPPLY	220-380V - Specify before the order
DOOR FINISH	tempered glass
BENCH FINISH	wood ayous

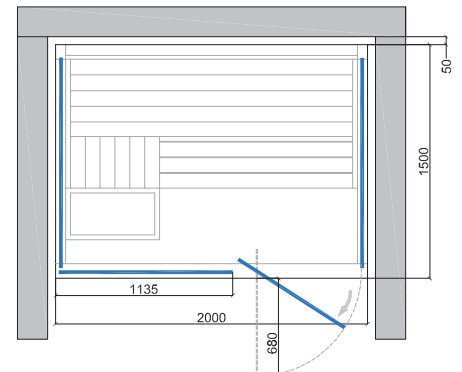
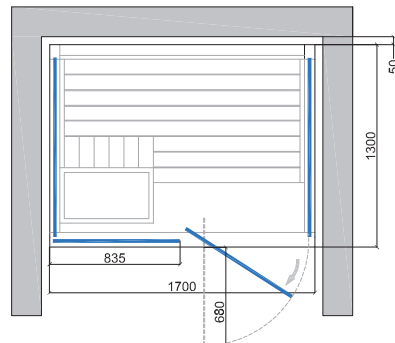
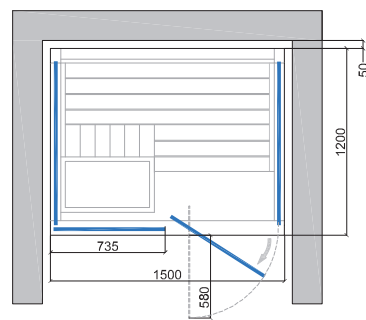
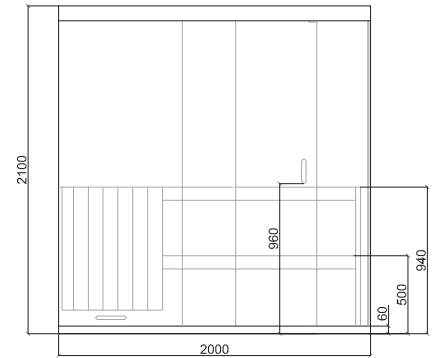
1500x1200



1700x1300



2000x1500



WOOD FINISHES



Classic Fir "Z"



Hemlock "E"



Cedar "C"
replace " _/E_ " with " _/C_ "



Canaletto walnut "Q"

SITTING SAUNA



Ayoux wood

GLASS FINISHES



Transparent Glass "P"



Extra-clear glass "X"



Black back-painted glass "Z"



White back-painted glass "1"

PRICE LIST WITH POINTS

TRANSPARENT GLASS	MEASURE	kW.	CODE	INTERIOR	BLACK PAINTED -Z	WHITE PAINTED -1	DELIVERY
	1500x1200	4,5 kW	EPNM152*/Z_AP	CLASSIC FIR	13.529	13.529	5-6 weeks
EPNM152*/E_AP			HEMLOCK	14.153	14.153	5-6 weeks	
EPNM152*/Q_AP			CANALETTO WALNUT	15.304	15.304	5-6 weeks	
1700x1300	4,5 kW	EPNM173*/Z_AP	CLASSIC FIR	14.981	14.981	5-6 weeks	
		EPNM173*/E_AP	HEMLOCK	15.946	15.946	5-6 weeks	
		EPNM173*/Q_AP	CANALETTO WALNUT	17.097	17.097	5-6 weeks	
2000x1500	6 kW	EPNM205*/Z_AP	CLASSIC FIR	17.553	17.553	5-6 weeks	
		EPNM205*/E_AP	HEMLOCK	18.812	18.812	5-6 weeks	
		EPNM205*/Q_AP	CANALETTO WALNUT	19.946	19.946	5-6 weeks	

EXTRA-CLEAR GLASS	MEASURE	kW.	CODE	INTERIOR	BLACK PAINTED -Z	WHITE PAINTED -1	DELIVERY
	1500x1200	4,5 kW	EPNM152*/Z_AX	CLASSIC FIR	14.369	14.369	5-6 weeks
EPNM152*/E_AX			HEMLOCK	14.993	14.993	5-6 weeks	
EPNM152*/Q_AX			CANALETTO WALNUT	16.144	16.144	5-6 weeks	
1700x1300	4,5 kW	EPNM173*/Z_AX	CLASSIC FIR	15.941	15.941	5-6 weeks	
		EPNM173*/E_AX	HEMLOCK	16.906	16.906	5-6 weeks	
		EPNM173*/Q_AX	CANALETTO WALNUT	18.057	18.057	5-6 weeks	
2000x1500	6 kW	EPNM205*/Z_AX	CLASSIC FIR	18.663	18.663	5-6 weeks	
		EPNM205*/E_AX	HEMLOCK	19.892	19.892	5-6 weeks	
		EPNM205*/Q_AX	CANALETTO WALNUT	21.026	21.026	5-6 weeks	

CUSTOMIZED SIZE:

Width min. 1500 mm - depth min. 1200 mm - height min. 2110 mm
Width max. 2000 mm - depth max. 2000 mm - height max. 2110 mm

· For intermediate special sizes consider the price of the next larger size + 5%
· For special measures higher feasibility and price on request

FEATURES/COMPONENTS

Electric stove with lava stone, with integrated control ignition
LED light under the bench
Hourglass with sand for 15 minutes time duration.
Thermo-hygrometer for monitoring temperature and humidity inside the sauna.
Wooden tub and ladle.
Opening system with HINGED door
A glass wall with wall support in white or black back-painted glass finish
Removable wooden floor slats

OPTIONAL:

EMERGENCY BUTTON

AWZS05	500
--------	-----

OPTIONS	COD.	
Supplementary pre-installation kit for touch display	A6F418	85

EQUIPMENTS	code	buttons in satin silver finish	buttons in matte black finish	white touch keyboard	black touch keyboard	music therapy system	Chromotherapy RGB	
Easy control 2	"B"	■						+ 1.200
Easy control 2 BLACK	"Y"		■					+ 1.200
Full Control	"E"	■		■				+ 1.800
Full Control BLACK	"J"		■		■			+ 1.800
Relax	"F"	■				■	■	+ 2.000
Relax BLACK	"W"		■			■	■	+ 2.000
Total Relax	"G"	■		■		■	■	+ 2.700
Total Relax BLACK	"Z"		■		■	■	■	+ 2.700

Replace "A" with the corresponding code for the chosen equipments.

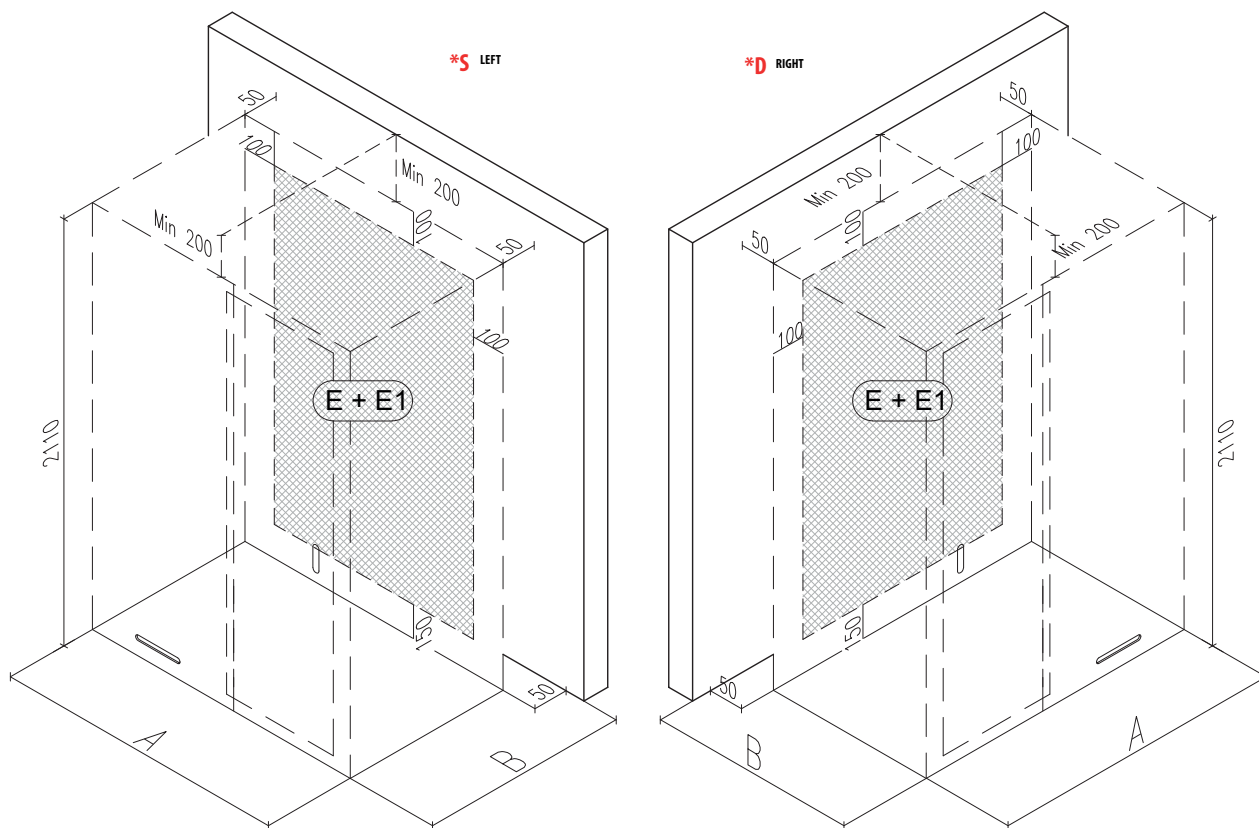
See the pre-installation sheet for the touch display on page 177

For special solutions and assembling ask for feasibility

Some small components always remain silver

PRE-INSTALLATION SHEET

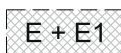
3 SIDE



Measures (A x B)	KW	single-phase power supply	three-phase supply
1500x1200	4,5 KW	H07RN-F 3x2.5 mm ²	H07RN-F 5x1.5 mm ²
1700x1300	4,5 KW	H07RN-F 3x2.5 mm ²	H07RN-F 5x1.5 mm ²
2000x1500	6 KW	H07RN-F 3x6 mm ²	H07RN-F 5x1.5 mm ²

E Power supply 220-380V (sauna stove)

E1 Power supply 220V - 50Hz (LED)



Fully inspectable area for hydraulic and electrical connections

ELECTRICAL SAFETY

The product assumes that the system to which the sauna is connected, and the room in which the product is installed, meet the safety requirements laid down by standards and laws, among which the following are particularly important:

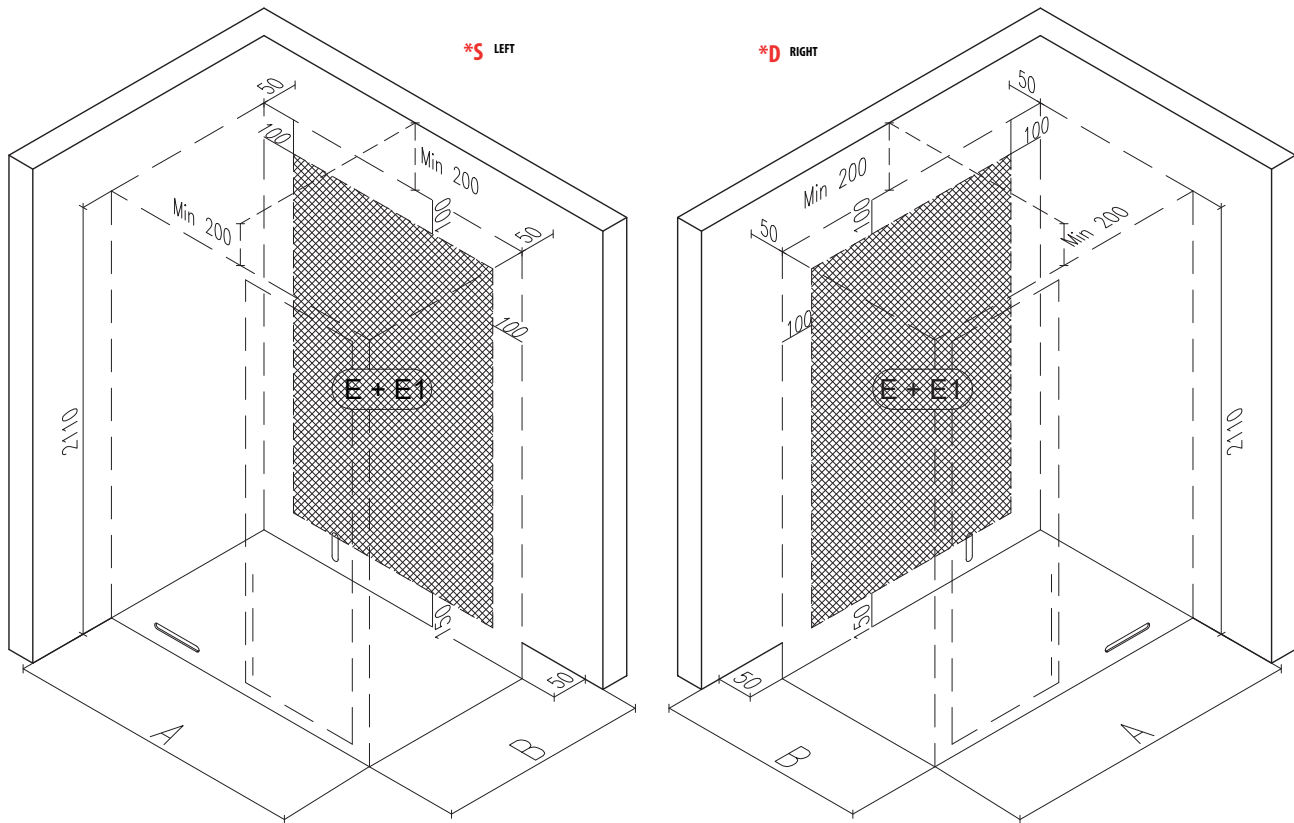
- Have an efficient protection circuit (earthing);
- Have a highly sensitive differential protection device according to the output of the heat generator;
- Limitation of electrical devices in the zones (zones 0, 1, 2, 3) of the bathroom and equal potential of the same
- Provide a mains disconnection switch with contact opening < 3 mm and characteristics suitable for the sauna's rated data
- Provision of a suitable cable connection system in accordance with the installed power rating.
- Use of certified electrical material according to standard

Power supply 220-380V

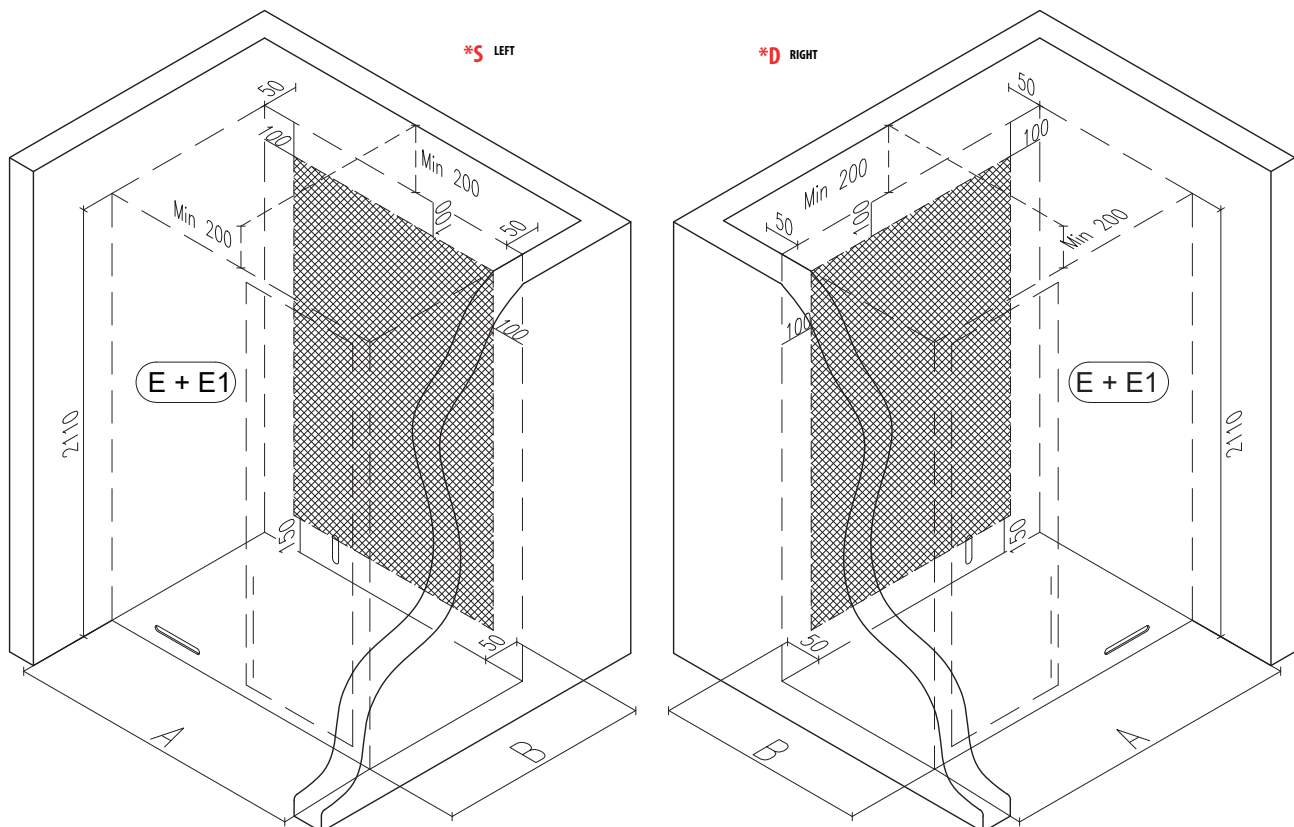
N.B: please specify before ordering

PRE-INSTALLATION SHEET

CORNER



NICHE



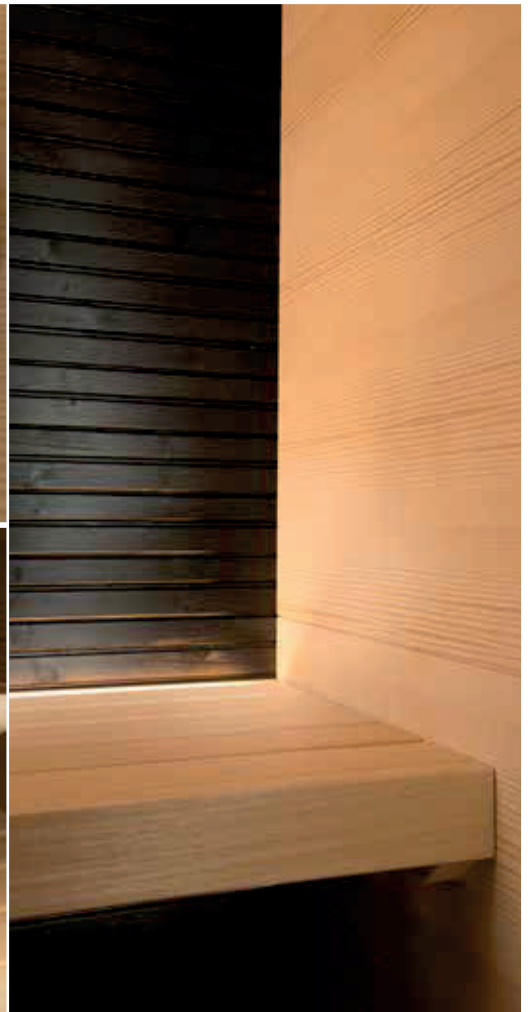


NIRVANA

SAUNA /
BIOSAUNA /
INFRARED SAUNA

In **Nirvana**
Sauna/biosauna
we can see the exaltation of the
best design of
finnish sauna:
Exterior coverings and internal
colors as the new trend.

STYLE DETAILS



FINNISH SAUNA / BIOSAUNA

INTERNAL COATING



Wood Hemlock "E"



Classic Fir "Z"



Wood Fir White "L"



Wood Fir Black "T"



Oak wood "R"



Elm wood "M"



Canaletto walnut "Q"

EXTERIOR WOOD COATING



Wood Hemlock "E"



Classic Fir "Z"



Painted wood White "Y"



Painted wood Black "W"



Oak wood "R"



Elm wood "M"



Canaletto walnut "Q"

DOOR



Transparent glass "P"

EXTERIOR GLASS COATING



Back-painted glass White "L"



Back-painted glass Black "T"

SITTING SAUNA



Ayous wood

CUSTOM SIZE	width max. 2200 mm
	depth max. 2200 mm
	height max. 2100 mm
STANDARD DIMENSIONS	1500x1200 mm
	1700x1300 mm
	2000x1500 mm
	2100x1800 mm
STANDARD HEIGHT	h. 2100 mm
GLASS THICKNESS	8 mm
HANDLE	wood/aluminum h. 58 cm
HANDLE HEIGHT	580 mm
POWER SUPPLY	220-380V - Specify before the order
NUMBER OF PEOPLE MAX.	5 (art. 2100x1800)
DOOR FINISH	transparent tempered glass
BENCH FINISH	wood Ayous
LIGHTING	led inserted in the bench
DELIVERY TIME	5-6 weeks

FEATURES/COMPONENTS

Electric stove with lava stone
 Professional digital control unit with temperature control.
 LED light above the bench.
 Hourglass with sand for 15 minutes time duration.
 Thermo-hygrometer for temperature and humidity control inside the sauna.
 Wooden tub and ladle.
 Handle made of wood inside and aluminum outside with matching finish.
 Wooden frame 62 mm thick with rock wool insulation space.
 Transparent tempered glass door 8 mm thick
 Benches made of solid athermic Ayous wood without knots.
 Walk-on wooden floorboards



HOME AUTOMATION CONNECTION PRE-SETUP:

The sauna can be integrated with compatible home automation systems thanks to the preconfigured electrical board. This allows the heater to be turned on and off directly through the system, providing advanced Comfort and convenience.

BIOSAUNA

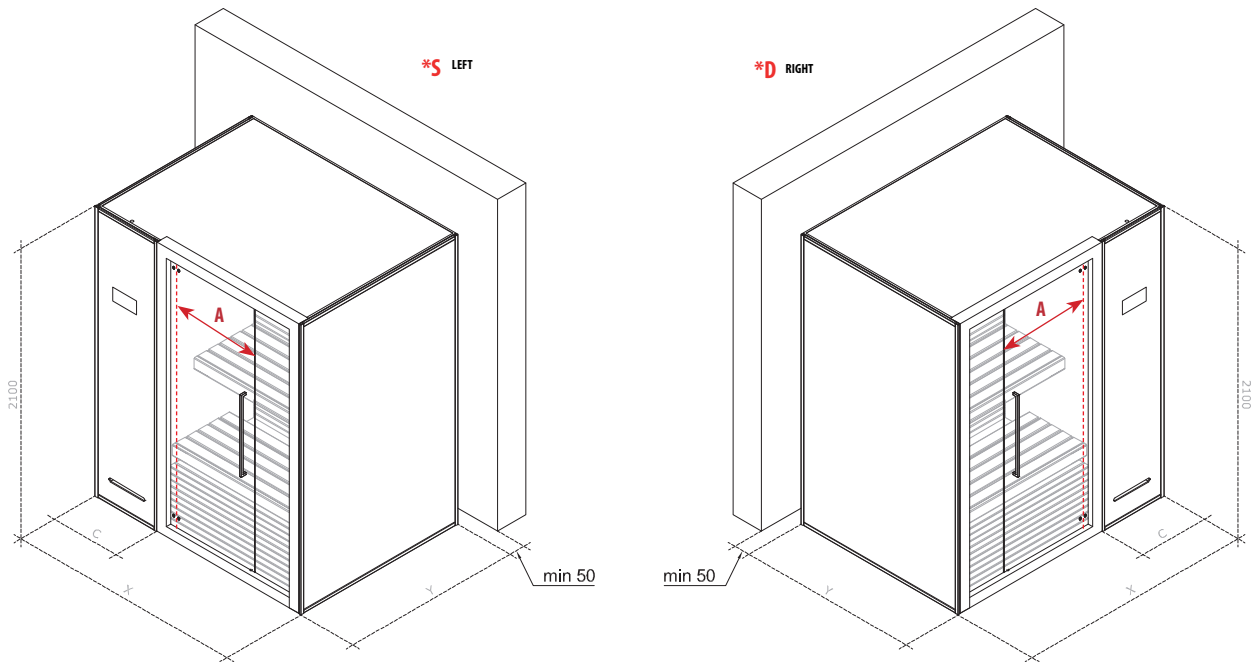
The BIOSAUNA reaches lower temperatures (50-60°C) compared to the traditional Finnish sauna (70-100°C) and has a higher humidity level. It combines heat and humidity for a more gentle and rejuvenating experience, ideal for those seeking deep and relaxing wellness. The Finnish sauna, on the other hand, offers a dry and very hot environment, promoting intense sweating and deep muscle relaxation.

INFRARED SAUNA

The infrared sauna uses infrared rays to directly heat the body without significantly increasing the ambient temperature (30-60°C). It is perfect for those seeking a gentler effect, benefiting from deep and targeted warmth, ideal even for those who tolerate intense heat less.

NIRVANA SAUNA

TECHNICAL DRAWINGS



(X x Y) mm	Exterior wood coating "X x Y"	Exterior glass coating "X x Y"	(A) mm	(C) mm	kW
1500x1200	1470x1200	1500x1200	680	500	3.0 kW
1700x1300	1670x1300	1700x1300	680	585	4.5 kW
2000x1500	1970x1500	2000x1500	680	645	4.5 kW
2100x1800	2070x1800	2100x1800	680	645	6.0 kW

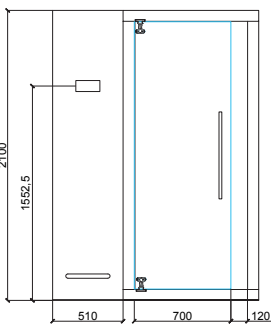
GLASS THICKNESS	8 mm
HANDLE	wood/aluminum h. 58 cm
HANDLE HEIGHT	580 mm
POWER SUPPLY	220-380V - Specify before the order
NUMBER OF PEOPLE MAX.	5 (art. 2100x1800)

OPTIONAL:

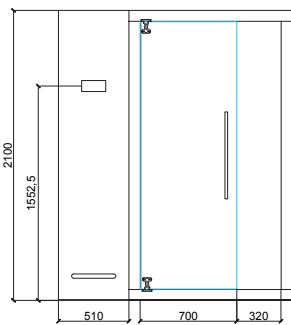
EMERGENCY BUTTON

AWZS05	500
--------	-----

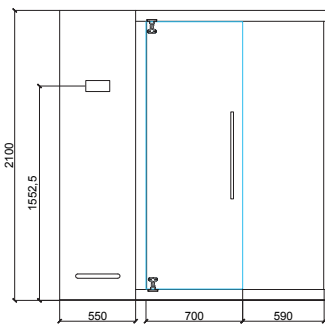
1500x1200



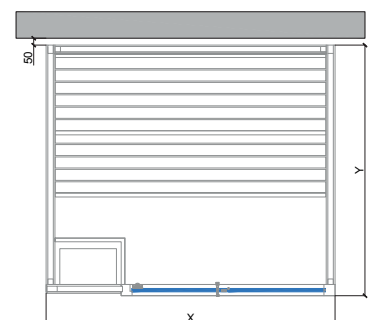
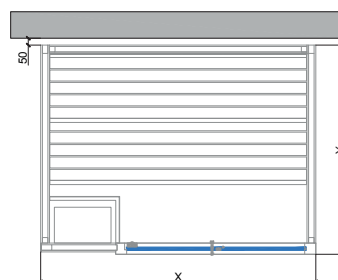
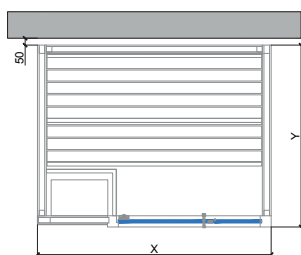
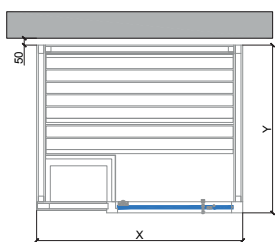
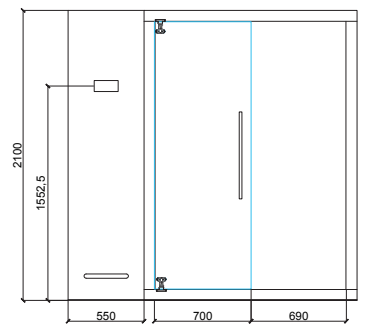
1700x1300



2000x1500



2100x1800



INTERIOR/EXTERIOR FINISHES WOOD



INTERIOR FINISHES WOOD



Wood Fir White "L"



Wood Fir Black "T"

EXTERIOR WOOD COATING



Painted wood White "Y"



Painted wood Black "W"

EXTERIOR GLASS COATING



Back-painted glass White "L"



Back-painted glass Black "T"

MEASURE	KW.	CODE	INTERIOR	Exterior FINISHES				DELIVERY
				FIR CLASSIC - Z	HEMLOCK - E	BLACK - T - W	WHITE - L - Y	
1500x1200	3 kW	NSPM152*/Z_AP	FIR CLASSIC	12.792	-	15.010	15.448	5-6 weeks
		NSPM152*/E_AP	HEMLOCK	-	15.422	17.640	18.067	5-6 weeks
		NSPM152*/T_AP	FIR BLACK	14.896	-	17.113	-	5-6 weeks
		NSPM152*/L_AP	FIR WHITE	14.896	-	-	17.552	5-6 weeks
1700x1300	4,5 kW	NSPM173*/Z_AP	FIR CLASSIC	13.503	-	15.862	16.315	5-6 weeks
		NSPM173*/E_AP	HEMLOCK	-	17.483	19.841	20.294	5-6 weeks
		NSPM173*/T_AP	FIR BLACK	15.777	-	18.137	-	5-6 weeks
		NSPM173*/L_AP	FIR WHITE	15.777	-	-	18.588	5-6 weeks
2000x1500	4,5 kW	NSPM205*/Z_AP	FIR CLASSIC	14.640	-	17.255	17.779	5-6 weeks
		NSPM205*/E_AP	HEMLOCK	-	18.904	21.519	22.043	5-6 weeks
		NSPM205*/T_AP	FIR BLACK	17.141	-	19.756	17.141	5-6 weeks
		NSPM205*/L_AP	FIR WHITE	17.141	-	-	20.280	5-6 weeks
2100x1800	6 kW	NSPM218*/Z_AP	FIR CLASSIC	16.374	-	19.216	19.841	5-6 weeks
		NSPM218*/E_AP	HEMLOCK	-	21.249	24.092	24.716	5-6 weeks
		NSPM218*/T_AP	FIR BLACK	18.619	-	21.463	-	5-6 weeks
		NSPM218*/L_AP	FIR WHITE	18.619	-	-	22.087	5-6 weeks

CUSTOMIZED SIZE:

Width min. 1200 mm - depth min. 1100 mm - height min. 2050 mm
 Width max. 2200 mm - depth max. 2200 mm - height max. 2200 mm

• For intermediate special sizes consider the price of the next larger size + 10%
 • For special measures higher feasibility and price on request

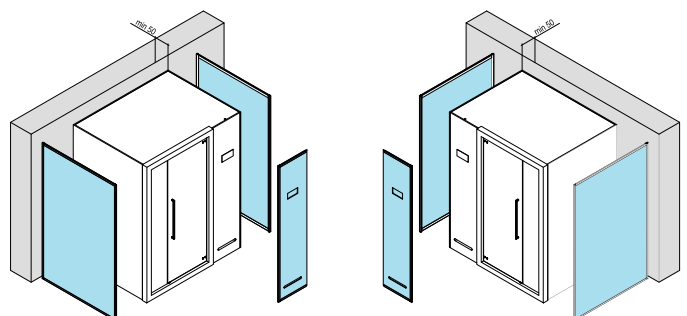
FEATURES/COMPONENTS

Electric stove with lava stone
 Professional digital control unit with temperature control.
 LED light above the bench.
 Hourglass with sand for 15 minutes time duration.
 Thermo-hygrometer for temperature and humidity control inside the sauna.
 Wooden tub and ladle.
 Handle made of wood inside and aluminum outside with matching finish.
 Wooden frame 62 mm thick with rock wool insulation space.
 Transparent tempered glass door 8 mm thick
 Benches made of solid athermic Ayous wood without knots.
 Removable wooden floor

EQUIPMENTS	code	buttons in satin silver finish	buttons in matte black finish	music therapy system	Chromotherapy RGB	
Easy control 2	"B"	■				+ 900
Easy control 2 BLACK	"Y"		■			+ 1.000
Relax	"F"	■		■	■	+ 1.800
Relax BLACK	"W"		■	■	■	+ 1.800

Replace "A" with the corresponding code for the chosen equipments.

GLASS COATING



For special solutions and assembling ask for feasibility

BIOSAUNA

The BIOSAUNA reaches lower temperatures (50-60°C) compared to the traditional Finnish sauna (70-100°C) and has a higher humidity level. It combines heat and humidity for a more gentle and rejuvenating experience, ideal for those seeking deep and relaxing wellness. The Finnish sauna, on the other hand, offers a dry and very hot environment, promoting intense sweating and deep muscle relaxation.

Replace "NS ___" with "NB ___" NB / 2.900

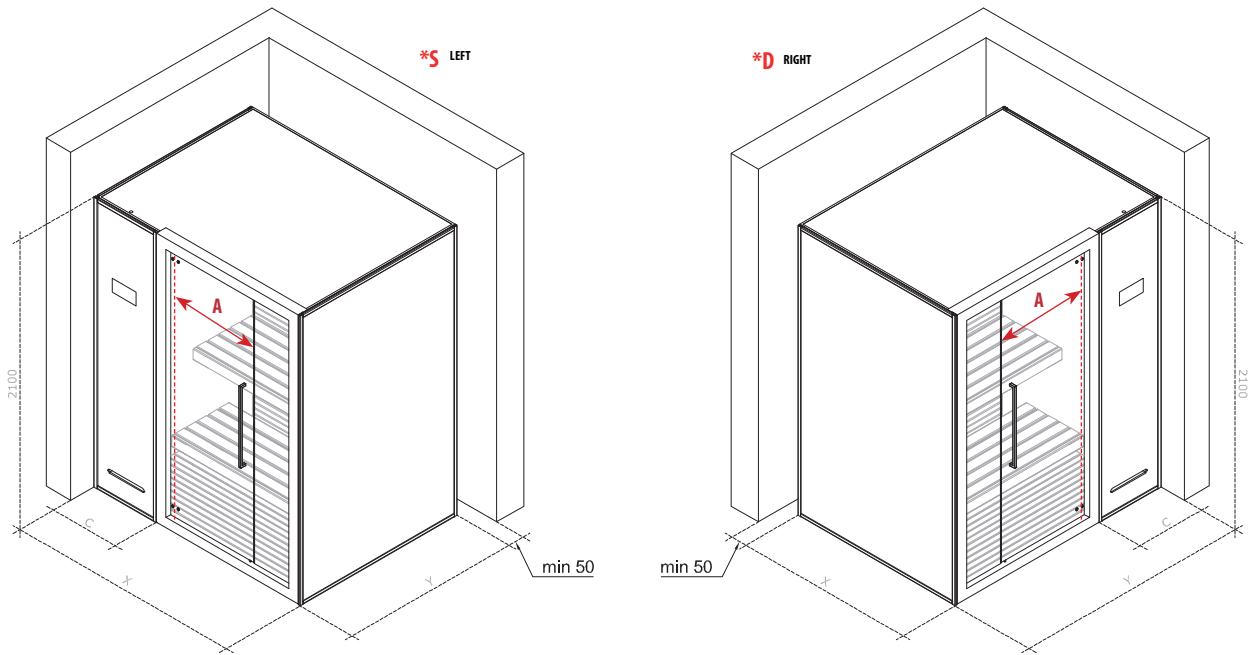
INFRARED SAUNA

The infrared sauna uses infrared rays to directly heat the body without significantly increasing the ambient temperature (30-60°C). It is perfect for those seeking a gentler effect, benefiting from deep and targeted warmth, ideal even for those who tolerate intense heat less.

Replace "NS ___" with "NI ___" NI / On request

NIRVANA SAUNA

TECHNICAL DRAWINGS



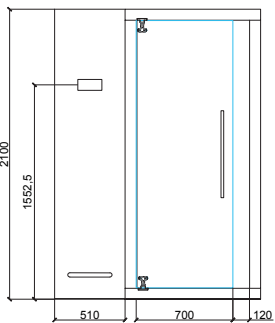
(X x Y) mm	Exterior wood coating "X x Y"	Exterior glass coating "X x Y"	(A) mm	(C) mm	kW
1500x1200	1470x1200	1485x1200	680	500	3.0 kW
1700x1300	1670x1300	1685x1300	680	585	4.5 kW
2000x1500	1970x1500	1985x1500	680	645	4.5 kW
2100x1800	2070x1800	2085x1800	680	645	6.0 kW

GLASS THICKNESS	8 mm
HANDLE	wood/aluminum h. 58 cm
HANDLE HEIGHT	580 mm
POWER SUPPLY	220-380V - Specify before the order
NUMBER OF PEOPLE MAX.	5 (art. 2100x1800)

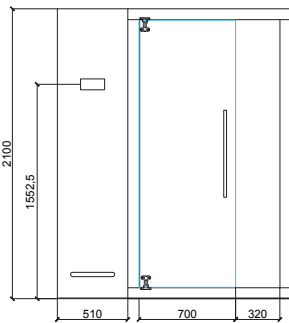
OPTIONAL: EMERGENCY BUTTON

AWZ505	500
--------	-----

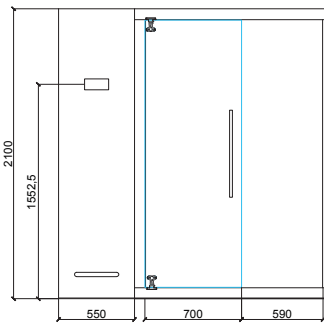
1500x1200



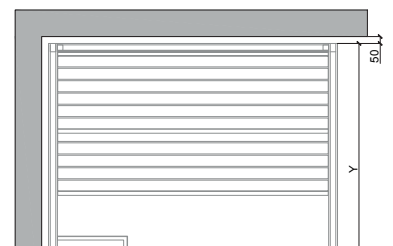
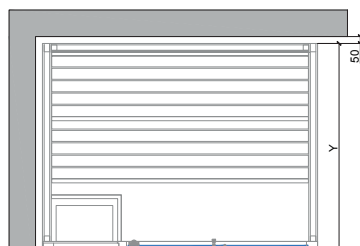
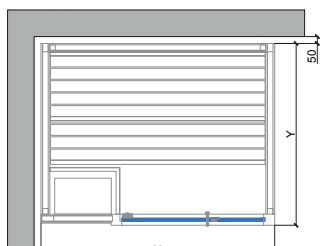
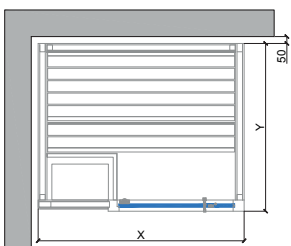
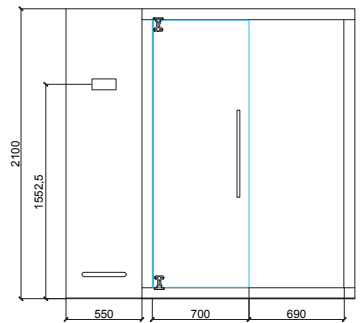
1700x1300



2000x1500



2100x1800



INTERIOR/EXTERIOR FINISHES WOOD



Wood Hemlock "E"



Classic Fir "Z"



Oak wood "R"
replace "E" with "R"



Elm wood "M"
replace "E" with "M"



Canaletto walnut "Q"
replace "E" with "Q"



Transparent glass "P"

DOOR

INTERIOR FINISHES WOOD



Wood Fir White "L"



Wood Fir Black "T"

EXTERIOR WOOD COATING



Painted wood White "Y"



Painted wood Black "W"

EXTERIOR GLASS COATING



Back-painted glass White
"L"



Back-painted glass Black "T"

MEASURE	kW.	CODE	INTERIOR	Exterior FINISHES				DELIVERY
				FIR CLASSIC - Z	HEMLOCK - E	BLACK - T - W	WHITE - L - Y	
1500x1200	3 kW	NSAM152*/Z_AP	FIR CLASSIC	12.792	-	14.214	14.487	5-6 weeks
		NSAM152*/E_AP	HEMLOCK	-	15.422	16.844	17.105	5-6 weeks
		NSAM152*/T_AP	FIR BLACK	14.896	-	16.318	-	5-6 weeks
		NSAM152*/L_AP	FIR WHITE	14.896	-	-	16.591	5-6 weeks
1700x1300	4,5 kW	NSAM173*/Z_AP	FIR CLASSIC	13.503	-	15.015	15.298	5-6 weeks
		NSAM173*/E_AP	HEMLOCK	-	17.483	19.277	19.841	5-6 weeks
		NSAM173*/T_AP	FIR BLACK	15.777	-	16.443	-	5-6 weeks
		NSAM173*/L_AP	FIR WHITE	15.777	-	-	16.773	5-6 weeks
2000x1500	4,5 kW	NSAM205*/Z_AP	FIR CLASSIC	14.640	-	16.295	16.623	5-6 weeks
		NSAM205*/E_AP	HEMLOCK	-	18.904	20.558	20.886	5-6 weeks
		NSAM205*/T_AP	FIR BLACK	17.141	-	18.796	-	5-6 weeks
		NSAM205*/L_AP	FIR WHITE	17.141	-	-	19.124	5-6 weeks
2100x1800	6 kW	NSAM218*/Z_AP	FIR CLASSIC	16.374	-	18.143	18.520	5-6 weeks
		NSAM218*/E_AP	HEMLOCK	-	21.249	23.018	23.395	5-6 weeks
		NSAM218*/T_AP	FIR BLACK	18.619	-	20.517	-	5-6 weeks
		NSAM218*/L_AP	FIR WHITE	18.619	-	-	20.766	5-6 weeks

CUSTOMIZED SIZE:

Width min. 1200 mm - depth min. 1100 mm - height min. 2050 mm
Width max. 2200 mm - depth max. 2200 mm - height max. 2200 mm

• For intermediate special sizes consider the price of the next larger size + 10%
• For special measures higher feasibility and price on request

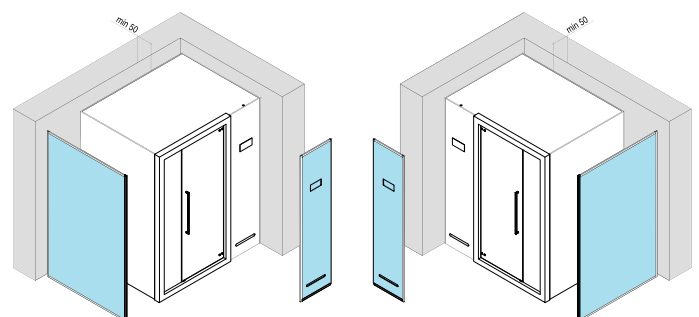
FEATURES/COMPONENTS

Electric stove with lava stone
Professional digital control unit with temperature control.
LED light above the bench.
Hourglass with sand for 15 minutes time duration.
Thermo-hygrometer for temperature and humidity control inside the sauna.
Wooden tub and ladle.
Handle made of wood inside and aluminum outside with matching finish.
Wooden frame 62 mm thick with rock wool insulation space.
Transparent tempered glass door 8 mm thick
Benches made of solid athermic Ayous wood without knots.
Removable wooden floor

EQUIPMENTS	code	buttons in satin silver finish	buttons in matte black finish	music therapy system	Chromotherapy RGB	
Easy control 2	"B"	■				+ 900
Easy control 2 BLACK	"Y"		■			+ 1.000
Relax	"F"	■		■	■	+ 1.800
Relax BLACK	"W"		■	■	■	+ 1.800

Replace "A" with the corresponding code for the chosen equipments.

GLASS COATING



For special solutions and assembling ask for feasibility

BIOSAUNA

The BIOSAUNA reaches lower temperatures (50-60°C) compared to the traditional Finnish sauna (70-100°C) and has a higher humidity level. It combines heat and humidity for a more gentle and rejuvenating experience, ideal for those seeking deep and relaxing wellness. The Finnish sauna, on the other hand, offers a dry and very hot environment, promoting intense sweating and deep muscle relaxation.

Replace "NS ___" with "NB ___" NB / / 2.900

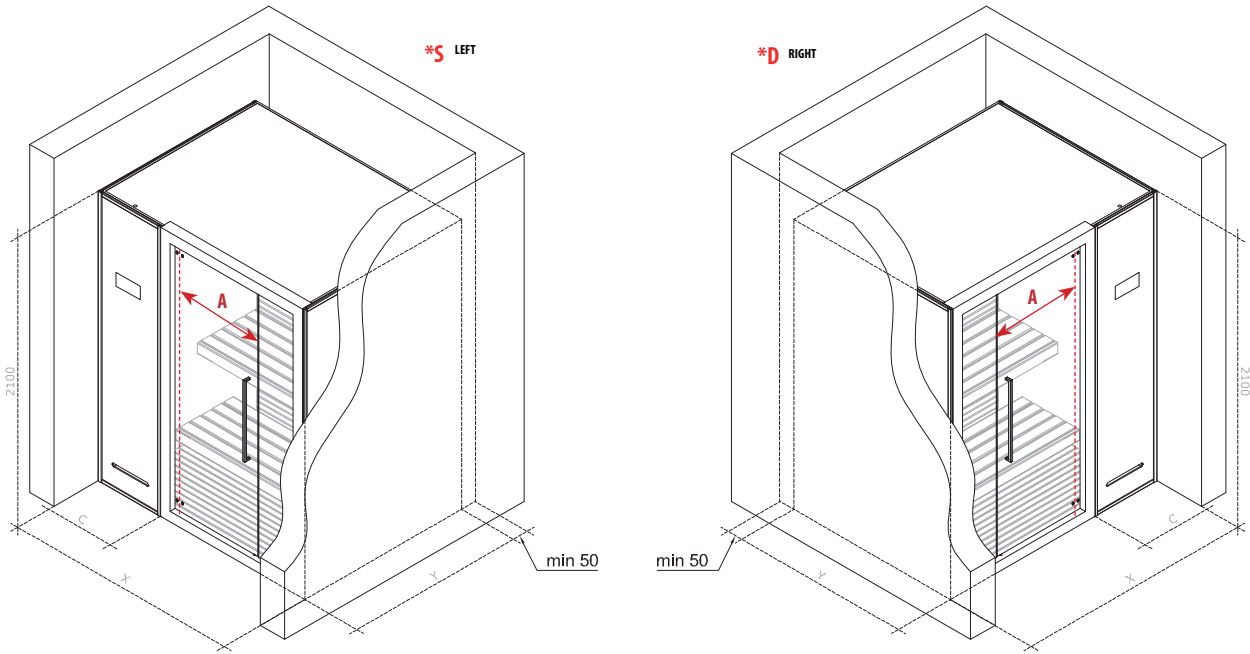
INFRARED SAUNA

The infrared sauna uses infrared rays to directly heat the body without significantly increasing the ambient temperature (30-60°C). It is perfect for those seeking a gentler effect, benefiting from deep and targeted warmth, ideal even for those who tolerate intense heat less.

Replace "NS ___" with "NI ___" NI / / On request

NIRVANA SAUNA

TECHNICAL DRAWINGS



(X x Y) mm	Exterior wood coating "X x Y"	Exterior glass coating "X x Y"	(A) mm	(C) mm	kW
1500x1200	1470x1200	1470x1200	680	500	3.0 kW
1700x1300	1670x1300	1670x1300	680	585	4.5 kW
2000x1500	1970x1500	1970x1500	680	645	4.5 kW
2100x1800	2070x1800	2070x1800	680	645	6.0 kW

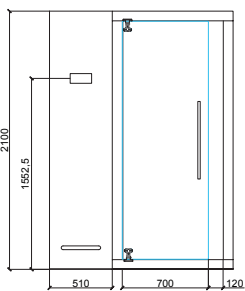
GLASS THICKNESS	8 mm
HANDLE	wood/aluminum h. 58 cm
HANDLE HEIGHT	580 mm
POWER SUPPLY	220-380V - Specify before the order
NUMBER OF PEOPLE MAX.	5 (art. 2100x1800)

OPTIONAL:

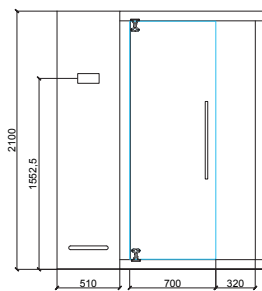
EMERGENCY BUTTON

AWZ505 500

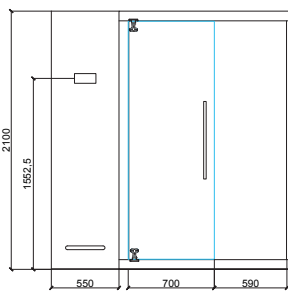
1500x1200



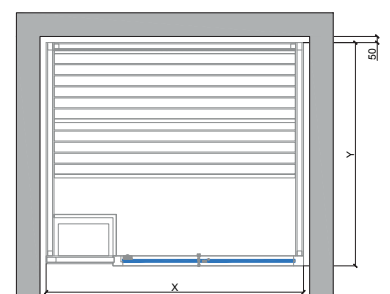
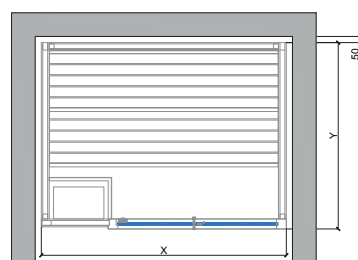
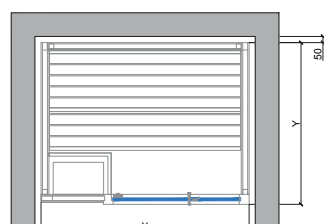
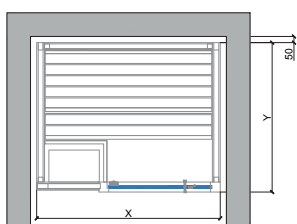
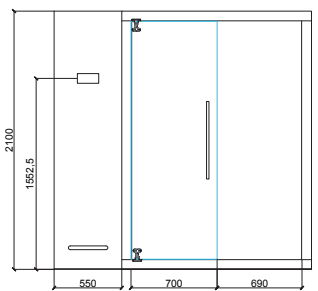
1700x1300



2000x1500



2100x1800



INTERIOR/EXTERIOR FINISHES WOOD



INTERIOR FINISHES WOOD



Wood Fir White "L"



Wood Fir Black "T"

EXTERIOR WOOD COATING



Painted wood White "Y"



Painted wood Black "W"

EXTERIOR GLASS COATING



Back-painted glass White "L"



Back-painted glass Black "T"

MEASURE	kW.	CODE	INTERIOR	Exterior FINISHES				DELIVERY
				FIR CLASSIC - Z	HEMLOCK - E	BLACK - T - W	WHITE - L - Y	
1500x1200	3 kW	NSNM152*/Z_AP	FIR CLASSIC	12.792	-	13.317	13.425	5-6 weeks
		NSNM152*/E_AP	HEMLOCK	-	15.422	15.946	16.054	5-6 weeks
		NSNM152*/T_AP	FIR BLACK	14.896	-	15.420	-	5-6 weeks
		NSNM152*/L_AP	FIR WHITE	14.896	-	-	15.528	5-6 weeks
1700x1300	4,5 kW	NSNM173*/Z_AP	FIR CLASSIC	13.503	-	14.072	14.183	5-6 weeks
		NSNM173*/E_AP	HEMLOCK	-	17.483	18.051	18.163	5-6 weeks
		NSNM173*/T_AP	FIR BLACK	15.777	-	16.345	-	5-6 weeks
		NSNM173*/L_AP	FIR WHITE	15.777	-	-	16.458	5-6 weeks
2000x1500	4,5 kW	NSNM205*/Z_AP	FIR CLASSIC	14.640	-	15.237	15.366	5-6 weeks
		NSNM205*/E_AP	HEMLOCK	-	18.904	19.501	19.629	5-6 weeks
		NSNM205*/T_AP	FIR BLACK	17.141	-	17.738	-	5-6 weeks
		NSNM205*/L_AP	FIR WHITE	17.141	-	-	17.867	5-6 weeks
2100x1800	6 kW	NSNM218*/Z_AP	FIR CLASSIC	16.347	-	16.971	17.100	5-6 weeks
		NSNM218*/E_AP	HEMLOCK	-	21.249	21.846	21.974	5-6 weeks
		NSNM218*/T_AP	FIR BLACK	18.619	-	19.216	-	5-6 weeks
		NSNM218*/L_AP	FIR WHITE	18.619	-	-	19.345	5-6 weeks

CUSTOMIZED SIZE:

Width min. 1200 mm - depth min. 1100 mm - height min. 2050 mm
 Width max. 2200 mm - depth max. 2200 mm - height max. 2200 mm

· For intermediate special sizes consider the price of the next larger size + 10%
 · For special measures higher feasibility and price on request

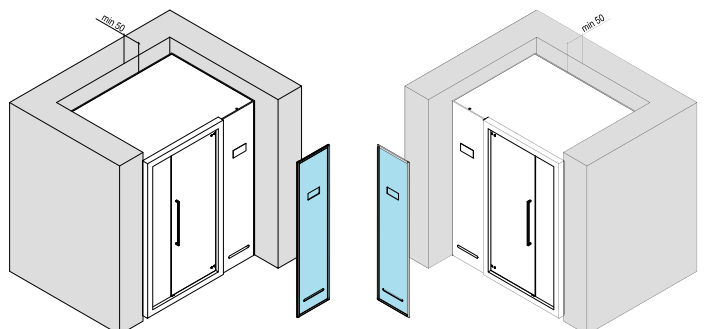
FEATURES/COMPONENTS

- Electric stove with lava stone
- Professional digital control unit with temperature control.
- LED light above the bench.
- Hourglass with sand for 15 minutes time duration.
- Thermo-hygrometer for temperature and humidity control inside the sauna.
- Wooden tub and ladle.
- Handle made of wood inside and aluminum outside with matching finish.
- Wooden frame 62 mm thick with rock wool insulation space.
- Transparent tempered glass door 8 mm thick
- Benches made of solid athermic Ayous wood without knots.
- Removable wooden floor

EQUIPMENTS	code	buttons in satin silver finish	buttons in matte black finish	music therapy system	Chromotherapy RGB	
Easy control 2	"B"	<input checked="" type="checkbox"/>	<input type="checkbox"/>	<input type="checkbox"/>	<input type="checkbox"/>	+ 900
Easy control 2 BLACK	"Y"	<input type="checkbox"/>	<input checked="" type="checkbox"/>	<input type="checkbox"/>	<input type="checkbox"/>	+ 1.000
Relax	"F"	<input checked="" type="checkbox"/>	<input type="checkbox"/>	<input checked="" type="checkbox"/>	<input checked="" type="checkbox"/>	+ 1.800
Relax BLACK	"W"	<input type="checkbox"/>	<input checked="" type="checkbox"/>	<input checked="" type="checkbox"/>	<input checked="" type="checkbox"/>	+ 1.800

Replace "A" with the corresponding code for the chosen equipments.

GLASS COATING



For special solutions and assembling ask for feasibility

BIOSAUNA

The BIOSAUNA reaches lower temperatures (50-60°C) compared to the traditional Finnish sauna (70-100°C) and has a higher humidity level. It combines heat and humidity for a more gentle and rejuvenating experience, ideal for those seeking deep and relaxing wellness. The Finnish sauna, on the other hand, offers a dry and very hot environment, promoting intense sweating and deep muscle relaxation.

Replace "NS _ _" with "NB _ _" NB _ / _ 2.900

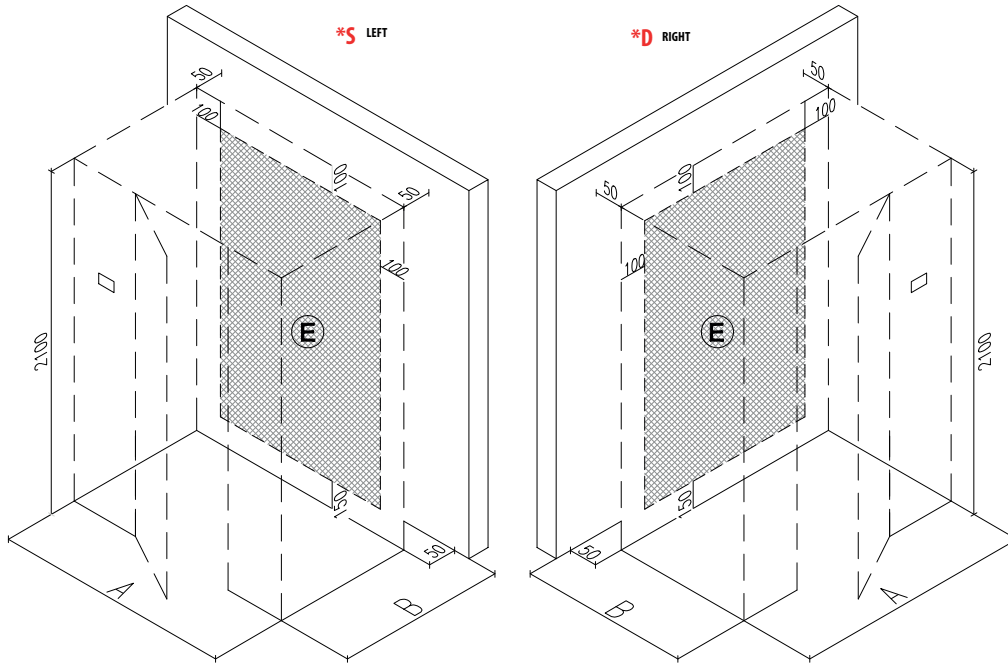
INFRARED SAUNA

The infrared sauna uses infrared rays to directly heat the body without significantly increasing the ambient temperature (30-60°C). It is perfect for those seeking a gentler effect, benefiting from deep and targeted warmth, ideal even for those who tolerate intense heat less.

Replace "NS _ _" with "NI _ _" NI _ / _ On request

PRE-INSTALLATION SHEET

3 SIDE



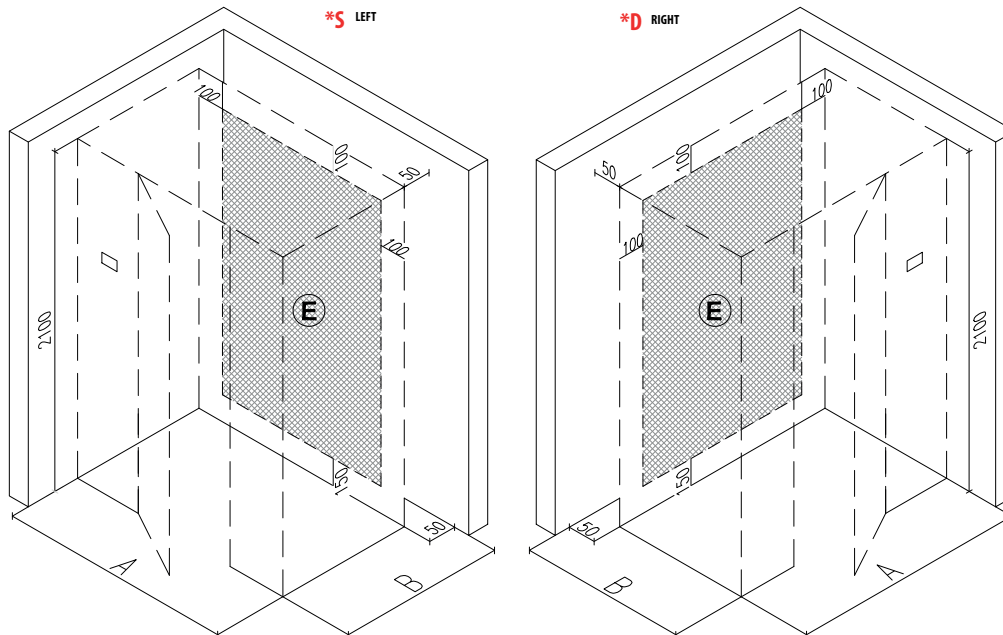
(A x B) mm	Exterior glass coating "A x B"	Exterior wood coating "A x B"	kW
1500x1200	1500x1200	1470x1200	3.0 kW
1700x1300	1700x1300	1670x1300	4.5 kW
2000x1500	2000x1500	1970x1500	4.5 kW
2100x1800	2100x1800	2070x1800	6.0 kW

E Power supply 220-380V (sauna stove)



Suitable area for electrical connection.

CORNER



(A x B) mm	Exterior glass coating "A x B"	Exterior wood coating "A x B"	kW
1500x1200	1485x1200	1470x1200	3.0 kW
1700x1300	1685x1300	1670x1300	4.5 kW
2000x1500	1985x1500	1970x1500	4.5 kW
2100x1800	2085x1800	2070x1800	6.0 kW

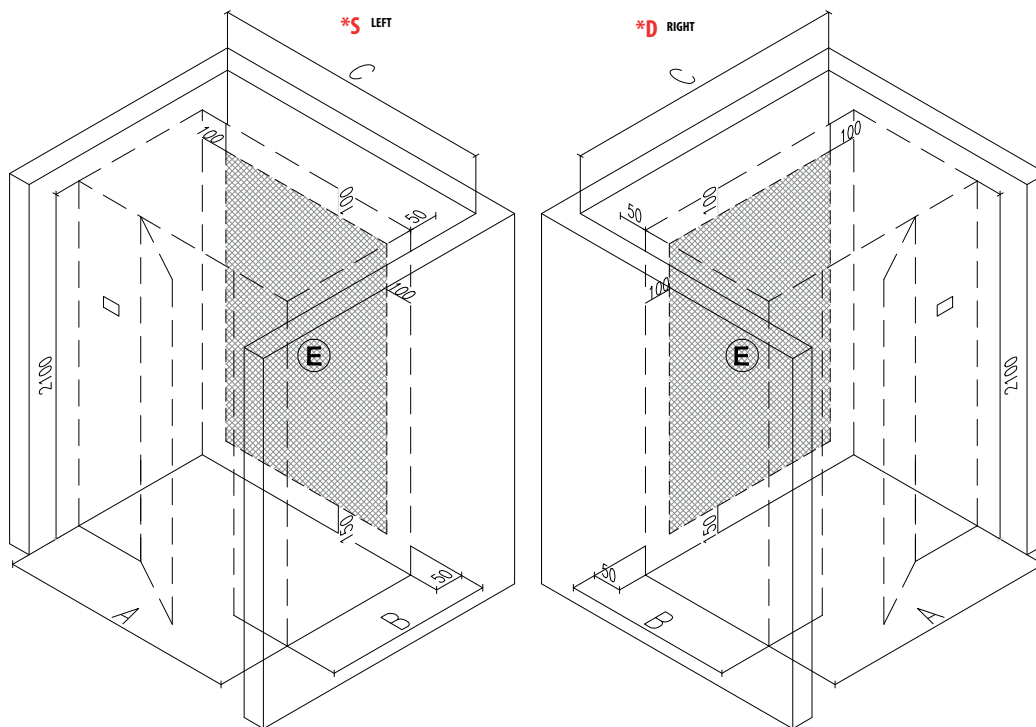
E Power supply 220-380V (sauna stove)



Suitable area for electrical connection.

PRE-INSTALLATION SHEET

NICHE



(A x B) mm	Exterior glass coating "A x B"	Exterior wood coating "A x B"	(C) mm	kW
1500x1200	1470x1200	1470x1200	1570	3.0 kW
1700x1300	1670x1300	1670x1300	1722	4.5 kW
2000x1500	1970x1500	1970x1500	2022	4.5 kW
2100x1800	2070x1800	2070x1800	2122	6.0 kW



Power supply 220-380V (sauna stove)



Suitable area for electrical connection.

ELECTRICAL SAFETY

The product assumes that the system to which the sauna is connected, and the room in which the product is installed, meet the safety requirements laid down by standards and laws, among which the following are particularly important:

- Have an efficient protection circuit (earthing);
- Have a highly sensitive differential protection device according to the output of the heat generator;
- Limitation of electrical devices in the zones (zones 0, 1, 2, 3) of the bathroom and equal potential of the same
- Provide a mains disconnection switch with contact opening < 3 mm and characteristics suitable for the sauna's rated data
- Provision of a suitable cable connection system in accordance with the installed power rating.
- Use of certified electrical material according to standard

Power supply 220-380V

N.B: please specify before ordering

NIRVANA CUSTOM

SPECIAL SOLUTIONS (ON REQUEST)

Nirvana Sauna is customizable in shape, finishes and combinations, developing special solutions with the technical office.



SPECIAL NIRVANA WITH ALL-GLASS FRONT



SPECIAL SOLUTIONS (ON REQUEST)



NIRVANA
SAUNA



**SPECIAL NIRVANA
WITHOUT LOWER
PROFILE**



NIRVANA

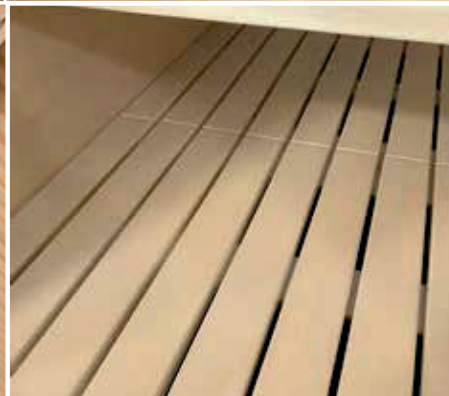
COMBI 1 YOUNG

SAUNA + HAMMAM

Sauna and Turkish baths differ in temperature and humidity

both bring the benefit of relaxation since endorphins are released in the brain that help well-being, reduce insomnia problems, and increase reflexes and concentration. Megius S.p.A. has decided not to miss anything, creating a product that allows you to offer both in one solution! In this case, we present the Combi 1 Young version, smaller and adaptable to any type of situation. The Nirvana Combi 1 project also includes the Young model, a smaller version in terms of space, with dimensions of 2462x1281 mm.

STYLE DETAILS



FINNISH SAUNA + HAMMAM

INTERNAL COATING



Wood Hemlock "E"



Classic Fir "Z"



Wood Fir White "L"



Wood Fir Black "T"



Oak wood "R"



Elm wood "M"



Canaletto walnut "Q"

EXTERIOR GLASS COATING



Back-painted glass White "I"



Opaline glass



Back-painted glass Black "V"



Fumè glass

DOOR



Transparent glass "F"

SITTING SAUNA



Ayous wood

CUSTOM SIZE	width max. 4151 mm depth max. 1881 mm height max. 2200 mm
STANDARD DIMENSIONS	2440x1281 mm
STANDARD HEIGHT	h. 2200 mm
GLASS THICKNESS	8 mm
HANDLE SAUNA	wood/aluminum h. 58 cm
HANDLE HAMMAM	aluminum h. 58 cm
HANDLE HEIGHT	580 mm
POWER SUPPLY SAUNA	220-380V - Specify before the order
POWER SUPPLY HAMMAM	220V Single-phase
NUMBER OF PEOPLE MAX.	6 (Art. 2440x1281)
BENCH FINISH	wood Ayous
LIGHTING	led (sauna) + rgb (Hammam)
DELIVERY TIME	5-6 weeks

FEATURES/COMPONENTS SAUNA

Electric stove with lava stone
Professional digital control unit with temperature control.
LED light on bench - LED chromotherapy.
Hourglass with sand for 15 minutes time duration.
Thermo-hygrometer for temperature and humidity control inside the sauna.
Wooden tub and ladle.
Handle made of wood inside and aluminum outside with matching finish.
Wooden frame 62 mm thick with rock wool insulation space.
An exterior wall of the sauna treated with an impregnating agent.
Transparent tempered glass door 8 mm thick
Benches made of knotless Ayous solid wood
Walk-on wooden floorboards

FEATURES/COMPONENTS HAMMAM

Multifunctional shower head size 25x25cm
RGB chromotherapy
Turkish steam bath in 3 temperatures in sequence
glass control panel with touch-screen functions
hand shower
waterfall
nebulizers
8 vertical water jets
pair of 50W Bluetooth speakers
aromatherapy with essences
shower tray included

OPTIONAL HAMMAM

Stool (see page 218)

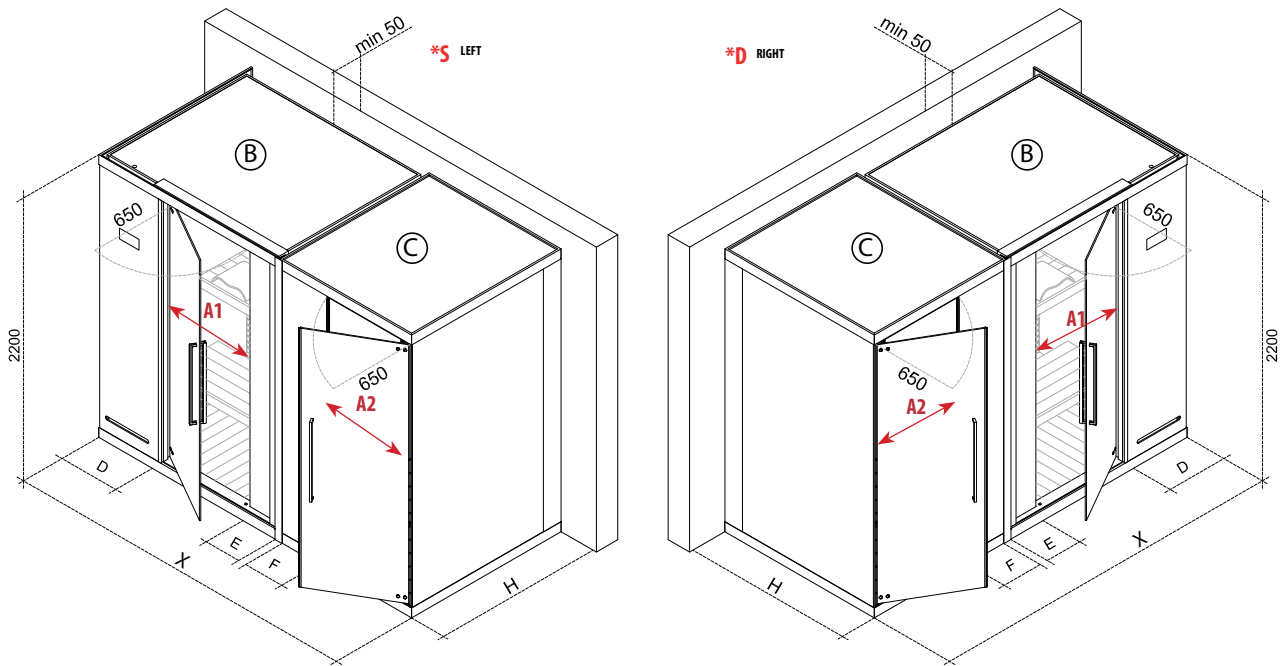


HOME AUTOMATION CONNECTION PRE-SETUP:

The **sauna** can be integrated with compatible home automation systems thanks to the preconfigured electrical board. This allows the heater to be turned on and off directly through the system, providing advanced Comfort and convenience.

NIRVANA COMBI YOUNG

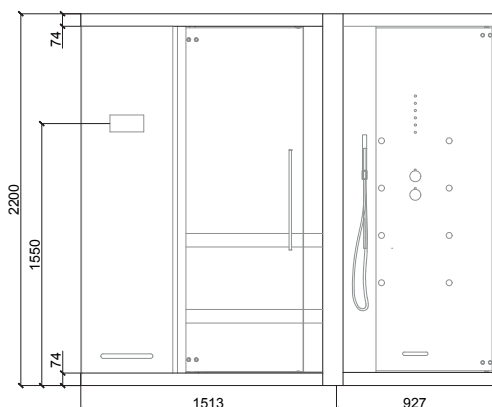
TECHNICAL DRAWINGS



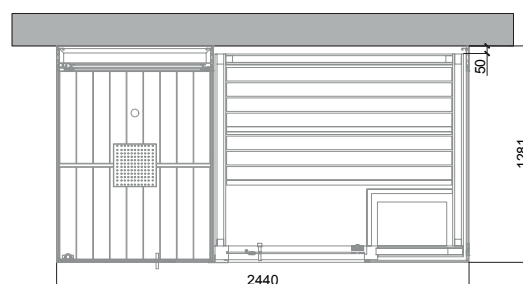
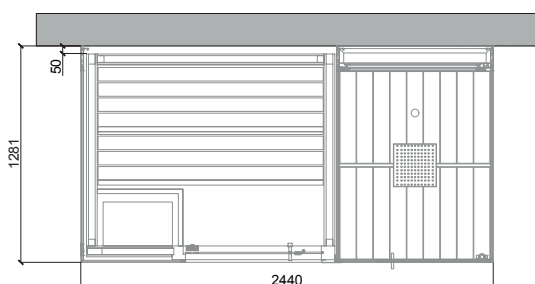
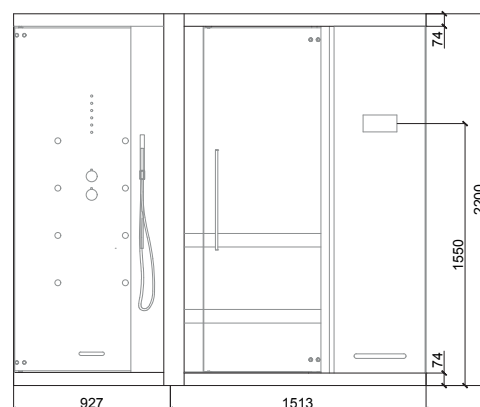
(X x H) mm	(B) mm	(C) mm	(A1) mm	(A2) mm	(D) mm	(E) mm	(F) mm	SAUNA kW	HAMMAM kW
2440x1281	1470x1200	927x1281	680	630	534	300	240	3.0	2.75

STANDARD HEIGHT	h. 2200 mm
GLASS THICKNESS	8 mm
HANDLE SAUNA	wood/aluminum h. 58 cm
HANDLE HAMMAM	aluminum h. 58 cm
POWER SUPPLY SAUNA	220-380V - Specify before the order
POWER SUPPLY HAMMAM	220V Single-phase
NUMBER OF PEOPLE MAX.	6 (Art. 2440x1281)

LEFT



RIGHT



INTERNAL COATING



Wood Hemlock "E" Classic Fir "Z" Wood Fir White "L" Wood Fir Black "T" Oak wood "R"
replace "E" with "R" Elm wood "M"
replace "E" with "M" Canaletto walnut "Q"
replace "E" with "Q"

EXTERIOR GLASS COATING



Back-painted glass White "I" Opaline glass Back-painted glass Black "V" Fumè glass

SITTING SAUNA



Ayous wood

DOOR



Transparent glass "F"

MEASURE	kW.	CODE	INTERNAL COATING	Exterior FINISHES		DELIVERY
				WHITE PAINTED + FUMÈ GLASS - I	BLACK PAINTED + GLASS OPALINE - V	
2440x1281	3 + 2,75 kW	NYPM242*/Z_AF	FIR CLASSIC	26.491	26.491	5-6 weeks
		NYPM242*/E_AF	HEMLOCK	28.862	28.862	5-6 weeks
		NYPM242*/T_AF	FIR BLACK	-	31.498	5-6 weeks
		NYPM242*/L_AF	FIR WHITE	31.498	-	5-6 weeks

· Special sizes on request

FEATURES/COMPONENTS SAUNA

Electric stove with lava stone
 Professional digital control unit with temperature control.
 LED light on bench - RGB chromotherapy
 Hourglass with sand for 15 minutes time duration.
 Thermo-hygrometer for temperature and humidity control inside the sauna.
 Wooden tub and ladle.
 Handle made of wood inside and aluminum outside with matching finish.
 Wooden frame 62 mm thick with rock wool insulation space.
 Transparent tempered glass door 8 mm thick
 Benches made of knotless Ayous solid wood
 Removable wooden floor

EQUIPMENTS	code	buttons in satin silver finish	buttons in matte black finish	music therapy system	
Easy control 2	"B"	■			+ 900
Easy control 2 BLACK	"Y"		■		+ 1.000
Wellness	"R"	■		■	+ 1.800
Wellness BLACK	"I"		■	■	+ 1.800

Replace "A" with the corresponding code for the chosen equipments.

FEATURES/COMPONENTS HAMMAM

Multifunctional shower head size 25x25cm
 RGB chromotherapy
 Turkish steam bath in 3 temperatures in sequence
 glass control panel with touch-screen functions
 hand shower
 waterfall
 nebulizers
 8 vertical water jets
 pair of 50W Bluetooth speakers
 aromatherapy with essences
 shower tray included

OPTIONAL:

STOOL SAUNA

AWTA04/Z	330
----------	-----

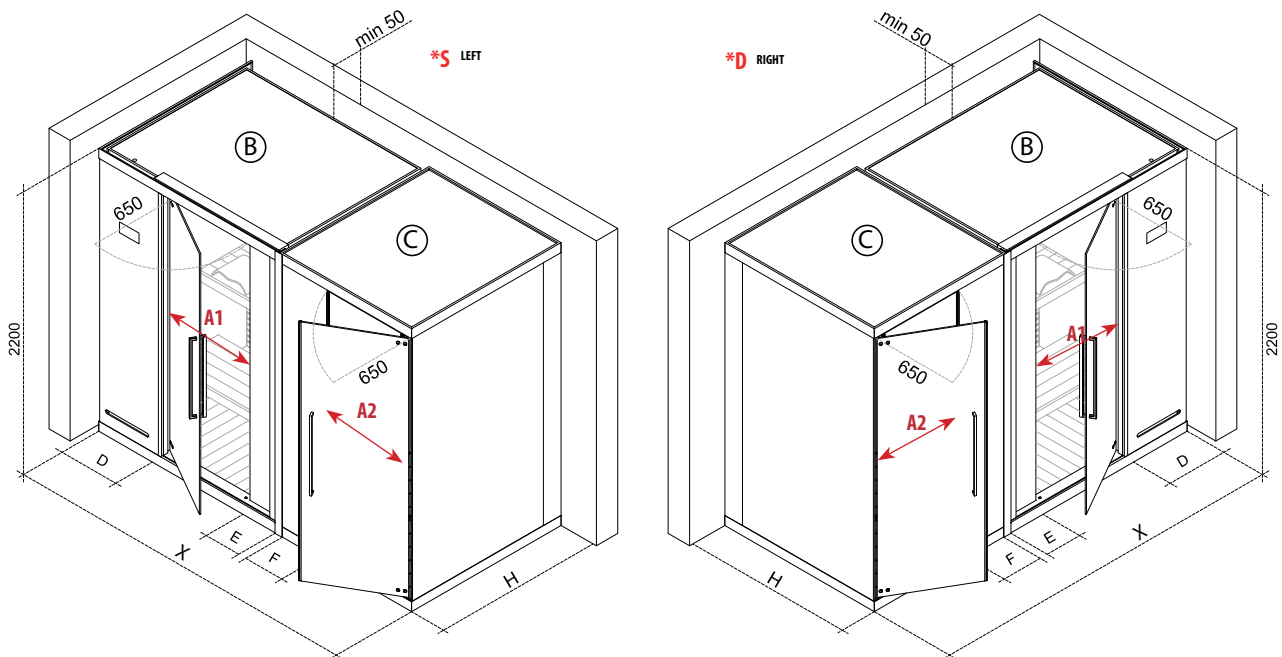
EMERGENCY BUTTON

AWZS05	500
--------	-----

For special solutions and assembling ask for feasibility

NIRVANA COMBI YOUNG

TECHNICAL DRAWINGS

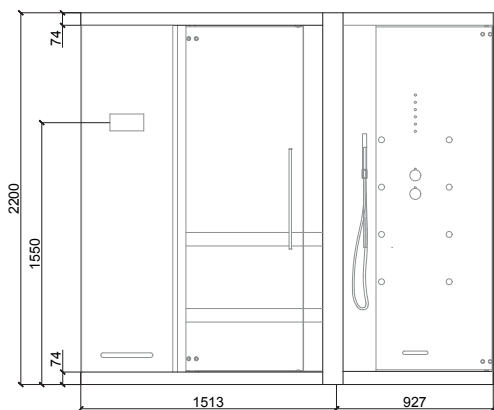


(X x H) mm	(B) mm	(C) mm	(A1) mm	(A2) mm	(D) mm	(E) mm	(F) mm	SAUNA kW	HAMMAM kW
2440x1281	1470x1200	927x1281	680	630	534	300	240	3.0	2.75

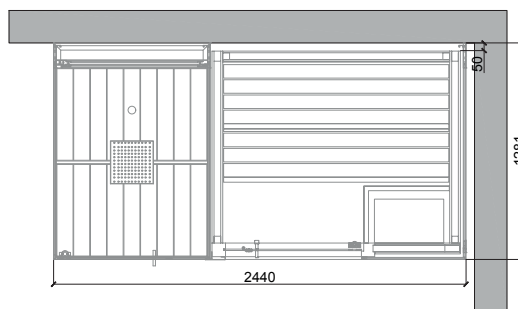
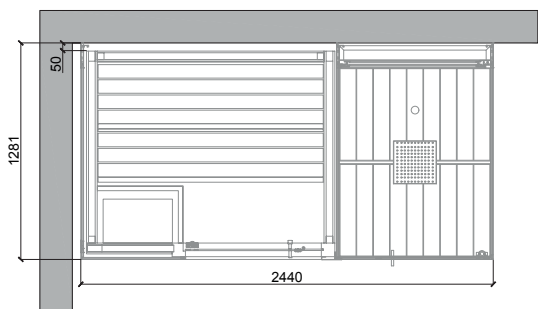
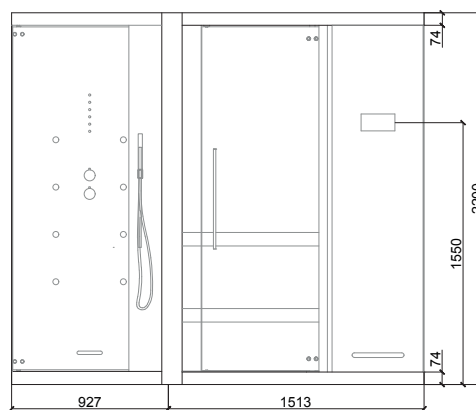
The side glass resting against the wall will have a back-painted finish.

STANDARD HEIGHT	h. 2200 mm
GLASS THICKNESS	8 mm
HANDLE SAUNA	wood/aluminum h. 58 cm
HANDLE HAMMAM	aluminum h. 58 cm
POWER SUPPLY SAUNA	220-380V - Specify before the order
POWER SUPPLY HAMMAM	220V Single-phase
NUMBER OF PEOPLE MAX.	6 (Art. 2440x1281)

LEFT



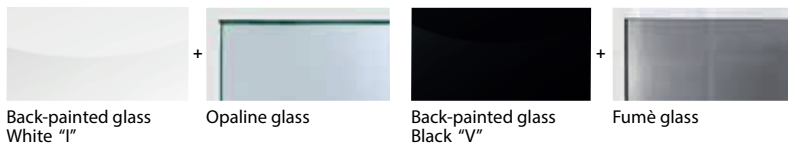
RIGHT



INTERNAL COATING



EXTERIOR GLASS COATING



SITTING SAUNA



Ayous wood

DOOR



Transparent glass "F"

MEASURE	kW.	CODE	INTERNAL COATING	EXTERIOR FINISHES		DELIVERY
				WHITE PAINTED + GLASS OPALINE - I	BLACK PAINTED + FUMÈ GLASS - V	
2440x1281	3 + 2,75 kW	NYAM242*/Z_AF	FIR CLASSIC	25.897	25.897	5-6 weeks
		NYAM242*/E_AF	HEMLOCK	28.269	28.269	5-6 weeks
		NYAM242*/T_AF	FIR BLACK	-	30.906	5-6 weeks
		NYAM242*/L_AF	FIR WHITE	30.906	-	5-6 weeks

· Special sizes on request

FEATURES/COMPONENTS SAUNA

Electric stove with lava stone
 Professional digital control unit with temperature control.
 LED light on bench - RGB chromotherapy
 Hourglass with sand for 15 minutes time duration.
 Thermo-hygrometer for temperature and humidity control inside the sauna.
 Wooden tub and ladle.
 Handle made of wood inside and aluminum outside with matching finish.
 Wooden frame 62 mm thick with rock wool insulation space.
 Transparent tempered glass door 8 mm thick
 Benches made of knotless Ayous solid wood
 Removable wooden floor

EQUIPMENTS	code	buttons in satin silver finish	buttons in matte black finish	music therapy system	
Easy control 2	"B"	■			+ 900
Easy control 2 BLACK	"V"		■		+ 1.000
Wellness	"R"	■		■	+ 1.800
Wellness BLACK	"I"		■	■	+ 1.800

Replace "A" with the corresponding code for the chosen equipments.

FEATURES/COMPONENTS HAMMAM

Multifunctional shower head size 25x25cm
 RGB chromotherapy
 Turkish steam bath in 3 temperatures in sequence
 glass control panel with touch-screen functions
 hand shower
 waterfall
 nebulizers
 8 vertical water jets
 pair of 50W Bluetooth speakers
 aromatherapy with essences
 shower tray included

OPTIONAL:

STOOL SAUNA

AWTA04/Z	330
----------	-----

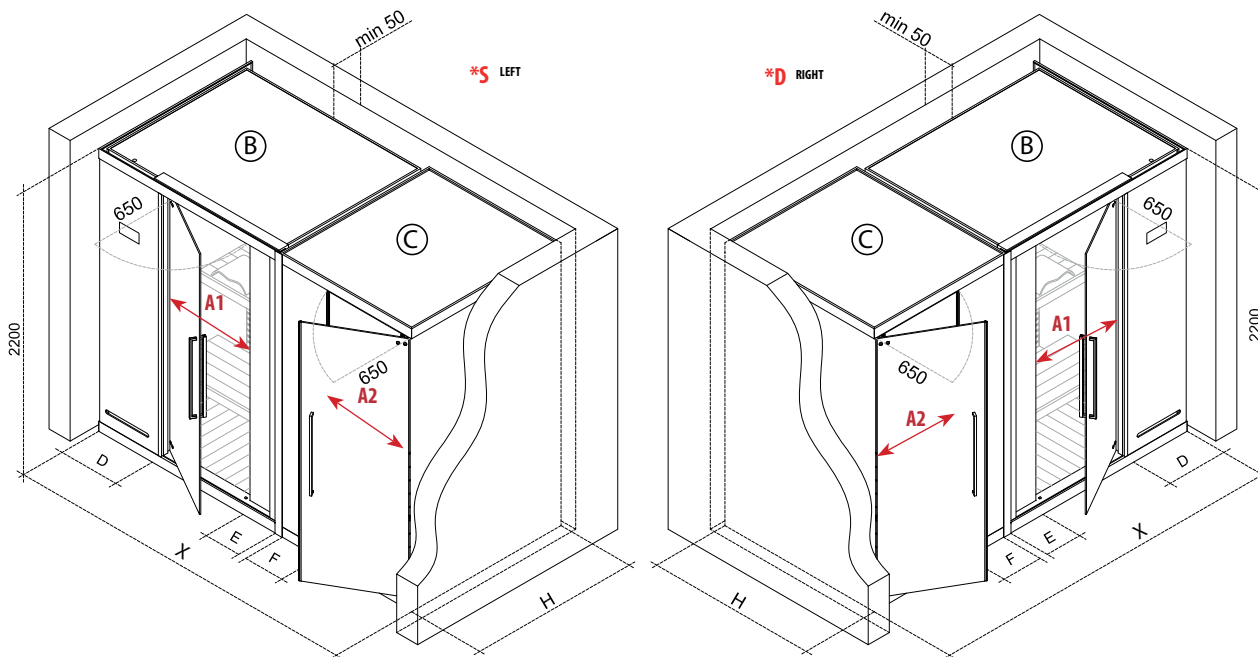
EMERGENCY BUTTON

AWZS05	500
--------	-----

For special solutions and assembling ask for feasibility

NIRVANA COMBI 1 YOUNG

TECHNICAL DRAWINGS

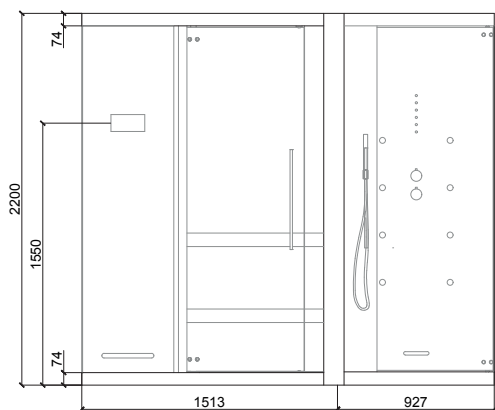


(X x H) mm	(B) mm	(C) mm	(A1) mm	(A2) mm	(D) mm	(E) mm	(F) mm	SAUNA kW	HAMMAM kW
2440x1281	1470x1200	927x1281	680	630	534	300	240	3.0	2.75

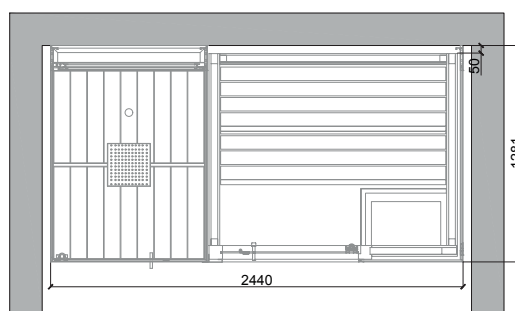
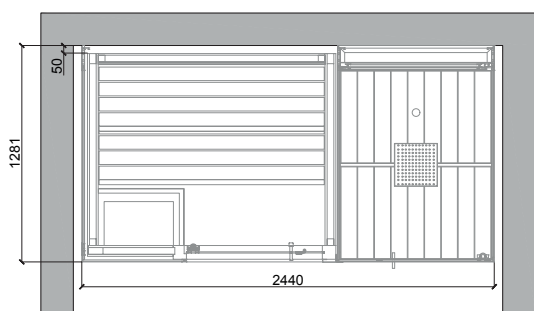
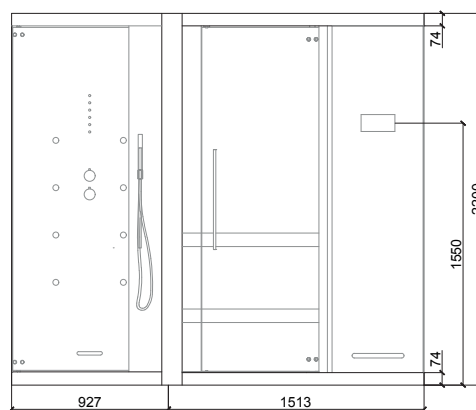
The side glasses resting against the walls will have a back-painted finish.

STANDARD HEIGHT	h. 2200 mm
GLASS THICKNESS	8 mm
HANDLE SAUNA	wood/aluminum h. 58 cm
HANDLE HAMMAM	aluminum h. 58 cm
POWER SUPPLY SAUNA	220-380V - Specify before the order
POWER SUPPLY HAMMAM	220V Single-phase
NUMBER OF PEOPLE MAX.	6 (Art. 2440x1281)

LEFT



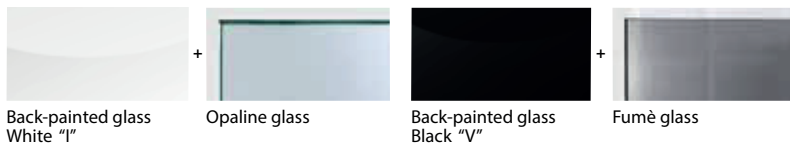
RIGHT



INTERNAL COATING



EXTERIOR GLASS COATING



SITTING SAUNA



Ayous wood

DOOR



Transparent glass "F"

MEASURE	kW.	CODE	INTERNAL COATING	Exterior FINISHES		DELIVERY
				WHITE PAINTED + GLASS OPALINE - I	BLACK PAINTED + FUMÈ GLASS - V	
2440x1281	3 + 2,75 kW	NYNM242*/Z_AF	FIR CLASSIC	25.897	25.897	5-6 weeks
		NYNM242*/E_AF	HEMLOCK	28.269	28.269	5-6 weeks
		NYNM242*/T_AF	FIR BLACK	-	30.906	5-6 weeks
		NYNM242*/L_AF	FIR WHITE	30.906	-	5-6 weeks

· Special sizes on request

FEATURES/COMPONENTS SAUNA

- Electric stove with lava stone
- Professional digital control unit with temperature control.
- LED light on bench - RGB chromotherapy
- Hourglass with sand for 15 minutes time duration.
- Thermo-hygrometer for temperature and humidity control inside the sauna.
- Wooden tub and ladle.
- Handle made of wood inside and aluminum outside with matching finish.
- Wooden frame 62 mm thick with rock wool insulation space.
- Transparent tempered glass door 8 mm thick
- Benches made of knotless Ayous solid wood
- Removable wooden floor

EQUIPMENTS	code	buttons in satin silver finish	buttons in matte black finish	music therapy system	
Easy control 2	" B "	■			+ 900
Easy control 2 BLACK	" Y "		■		+ 1.000
Wellness	" R "	■		■	+ 1.800
Wellness BLACK	" I "		■	■	+ 1.800

Replace "A" with the corresponding code for the chosen equipments.

FEATURES/COMPONENTS HAMMAM

- Multifunctional shower head size 25x25cm
- RGB chromotherapy
- Turkish steam bath in 3 temperatures in sequence
- glass control panel with touch-screen functions
- hand shower
- waterfall
- nebulizers
- 8 vertical water jets
- pair of 50W Bluetooth speakers
- aromatherapy with essences
- shower tray included

OPTIONAL:

STOOL SAUNA

AWTA04/Z	330
----------	-----

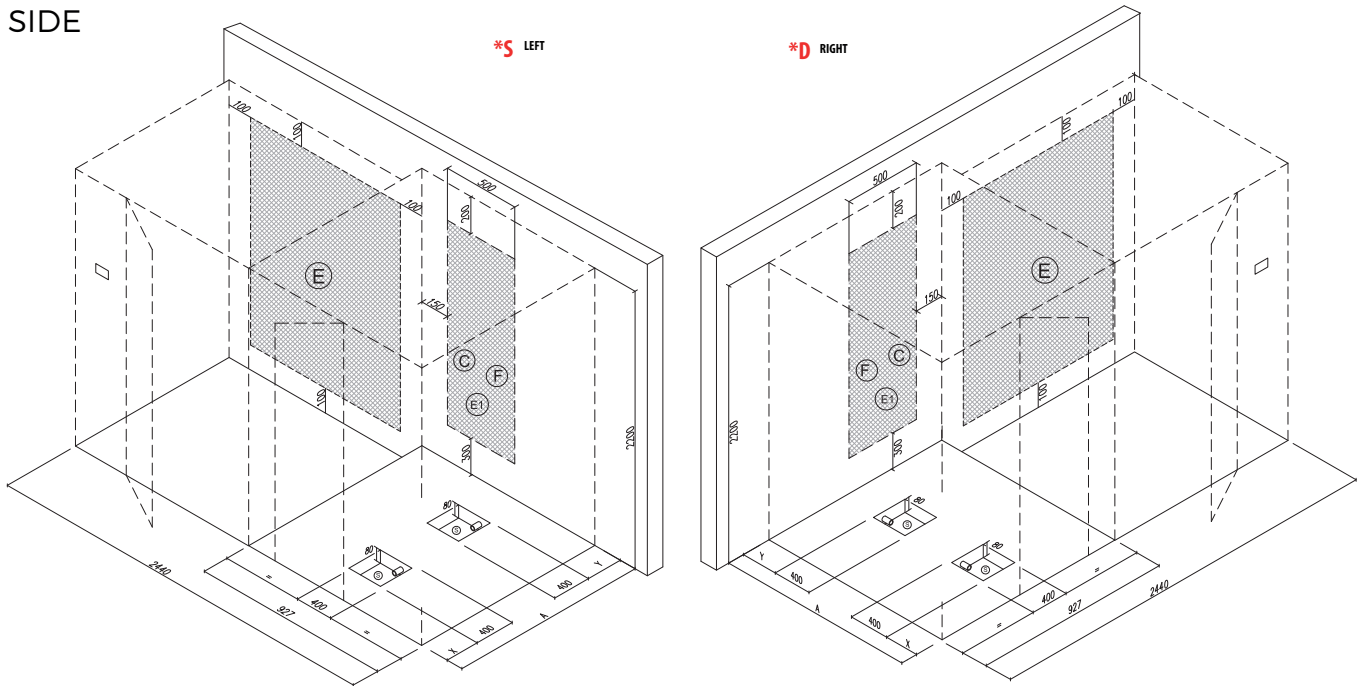
EMERGENCY BUTTON

AWZS05	500
--------	-----

For special solutions and assembling ask for feasibility

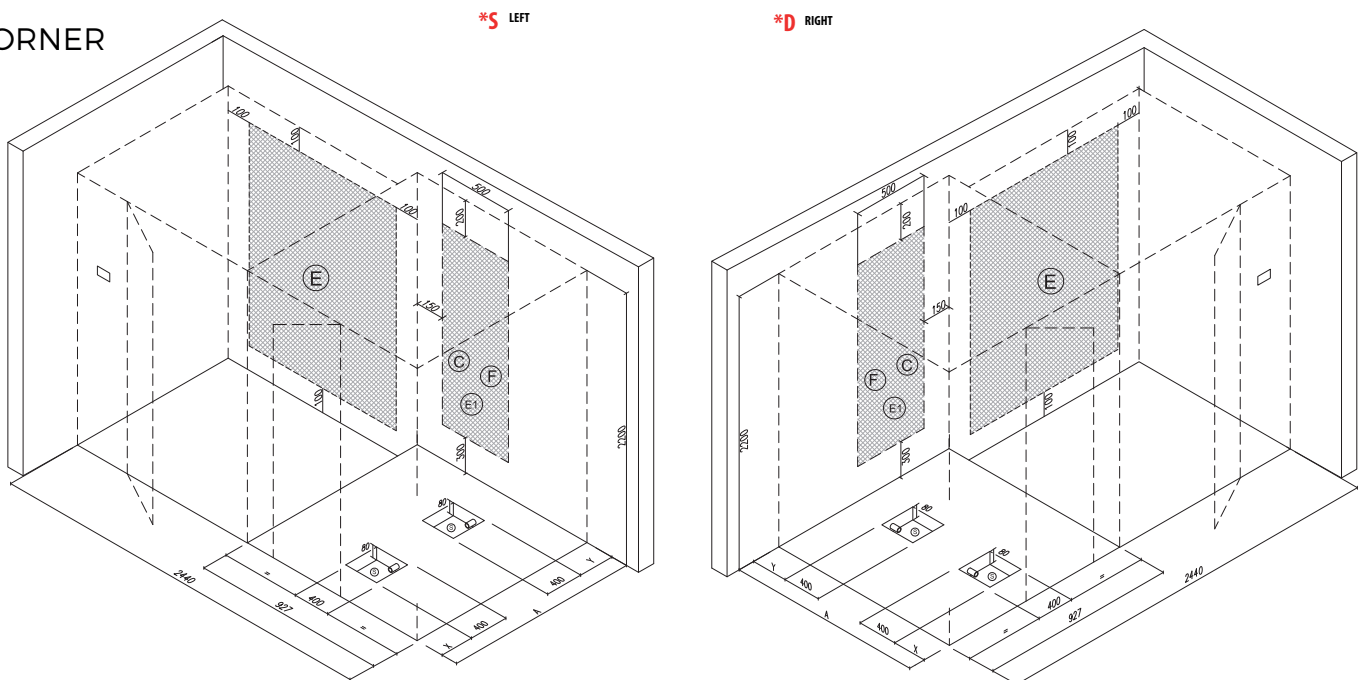
PRE-INSTALLATION SHEET

3 SIDE



SAUNA mm	HAMMAM mm	MAX mm	SAUNA kW	HAMMAM kW	(A) mm	(X) mm	(Y) mm
1470x1200	927x1281	2440x1281	3.0	2.75	1281	90	157

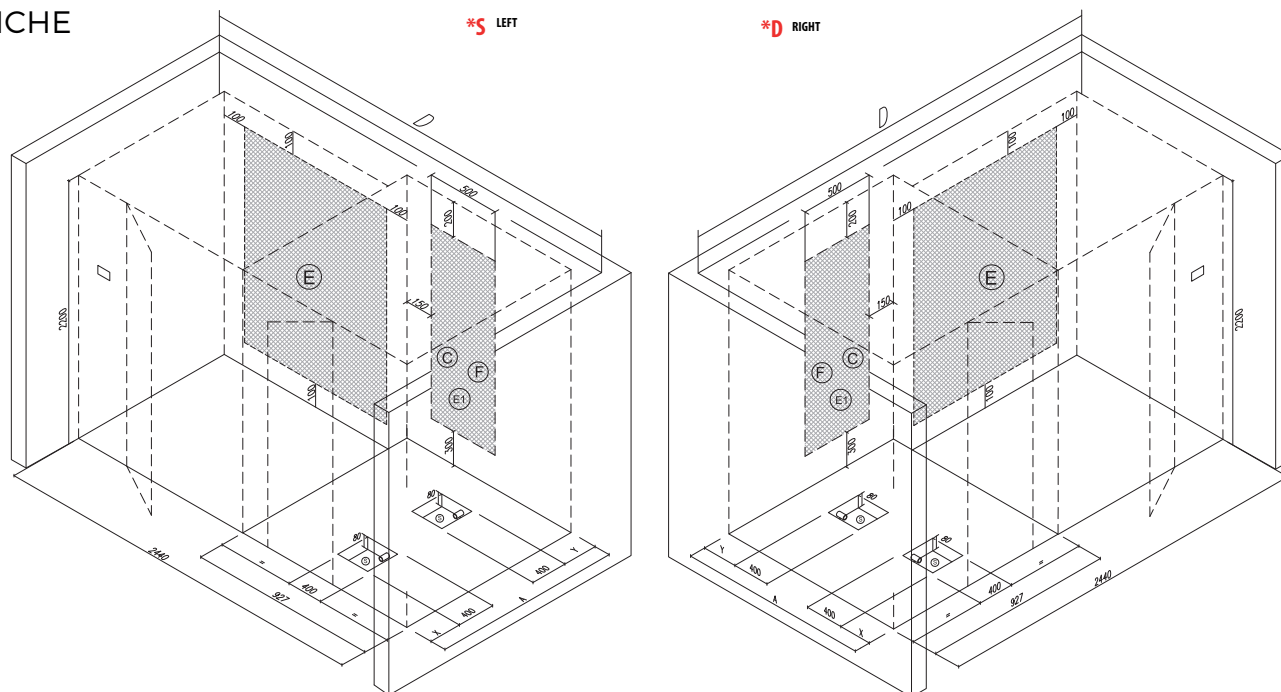
CORNER



SAUNA mm	HAMMAM mm	MAX mm	SAUNA kW	HAMMAM kW	(A) mm	(X) mm	(Y) mm
1470x1200	927x1281	2440x1281	3.0	2.75	1281	90	157

PRE-INSTALLATION SHEET

NICHE



SAUNA mm	HAMMAM mm	MAX mm	SAUNA kW	HAMMAM kW	(A) mm	(X) mm	(Y) mm
1470x1200	927x1281	2440x1281	3.0	2.75	1281	90	157

ELECTRICAL SAFETY

The product assumes that the system to which the sauna is connected, and the room in which the product is installed, meet the safety requirements laid down by standards and laws, among which the following are particularly important:

- Have an efficient protection circuit (earthing);
- Have a highly sensitive differential protection device according to the output of the heat generator;
- Limitation of electrical devices in the zones (zones 0, 1, 2, 3) of the bathroom and equal potential of the same
- Provide a mains disconnection switch with contact opening < 3 mm and characteristics suitable for the sauna's rated data
- Provision of a suitable cable connection system in accordance with the installed power rating.
- Use of certified electrical material according to standard

Power supply 220-380V

N.B: please specify before ordering

HYDRAULIC SAFETY

Prepare the hot and cold water supply connections and the drain connection.

For the correct functioning of the turkish bath and the multifunctional systems the water system must have the following characteristics

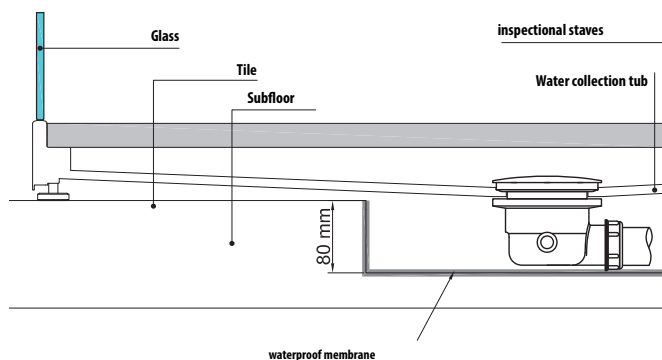
- Normal pressure at 3.5 bar.
- Min / Max network pressure from 2 to 5 bar.
- Hot water temperature at 60 ° C.
- Minimum water flow 12 l / min

The connection to the water network must be carried out in compliance with the provisions of the law and current regulations also concerning the pollution of water networks.

EXCAVATION AND SHOWER TRAY SECTION

WARNING: check that the slope of the hose is at least 2%.
Drain pipe ø 40 mm.

- (S) Double floor drain connection Ø40 mm
 - (C) (F) Hot and cold water connection for 1/2" diameter taps
 - (E) (E1) Power supply 220-380V
- N.B: please specify before ordering





NIRVANA

COMBI 1

SAUNA + HAMMAM

In this declination of the **Nirvana project**, we can admire the exaltation of the combination of heat and water.

A sort of yin-yang of wellbeing, glass, wood, and design in general: on the one hand, the dry Finnish sauna, with interiors in veneered and painted fir wood, and on the other, the hammam with back-painted glass walls. And so two different worlds are brought together to create a single wellness center.

STYLE DETAILS



FINNISH SAUNA + HAMMAM

INTERNAL COATING



Wood Hemlock "E"



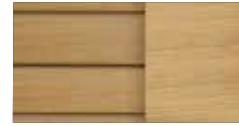
Classic Fir "Z"



Wood Fir White "L"



Wood Fir Black "T"



Oak wood "R"



Elm wood "M"



Canaletto walnut "Q"

EXTERIOR GLASS COATING



Back-painted glass White "I"



Opaline glass



Back-painted glass Black "V"



Fumè glass

DOOR



Transparent glass "F"

SITTING SAUNA



Ayous wood

CUSTOM SIZE	width max. 4151 mm
	depth max. 1881 mm
	height max. 2200 mm
STANDARD DIMENSIONS	3333x1381 mm
	4151x1881 mm
STANDARD HEIGHT	h. 2200 mm
GLASS THICKNESS	8 mm
HANDLE SAUNA	wood/aluminum h. 58 cm
HANDLE HAMMAM	aluminum h. 58 cm
HANDLE HEIGHT	580 mm
POWER SUPPLY SAUNA	220-380V - Specify before the order
POWER SUPPLY HAMMAM	220V Single-phase
NUMBER OF PEOPLE MAX.	6 (art. 4151x1881)
BENCH FINISH	wood Ayous
LIGHTING	led (sauna) + rgb (Hammam)
DELIVERY TIME	5-6 weeks

FEATURES/COMPONENTS SAUNA

Electric stove with lava stone
 Professional digital control unit with temperature control.
 LED light on bench - LED chromotherapy
 Hourglass with sand for 15 minutes time duration.
 Thermo-hygrometer for temperature and humidity control inside the sauna.
 Wooden tub and ladle.
 Handle made of wood inside and aluminum outside with matching finish.
 Wooden frame 62 mm thick with rock wool insulation space.
 An exterior wall of the sauna treated with an impregnating agent.
 Transparent tempered glass door 8 mm thick
 Benches made of knotless Ayous solid wood
 Walk-on wooden floorboards

FEATURES/COMPONENTS HAMMAM

Multifunctional shower head size 50x50cm
 Stripe led chromotherapy
 Turkish steam bath in 3 temperatures in sequence
 glass control panel with touch-screen functions
 hand shower
 waterfall
 nebulizers
 8 vertical water jets
 pair of 50W Bluetooth speakers
 aromatherapy with essences
 shower tray included

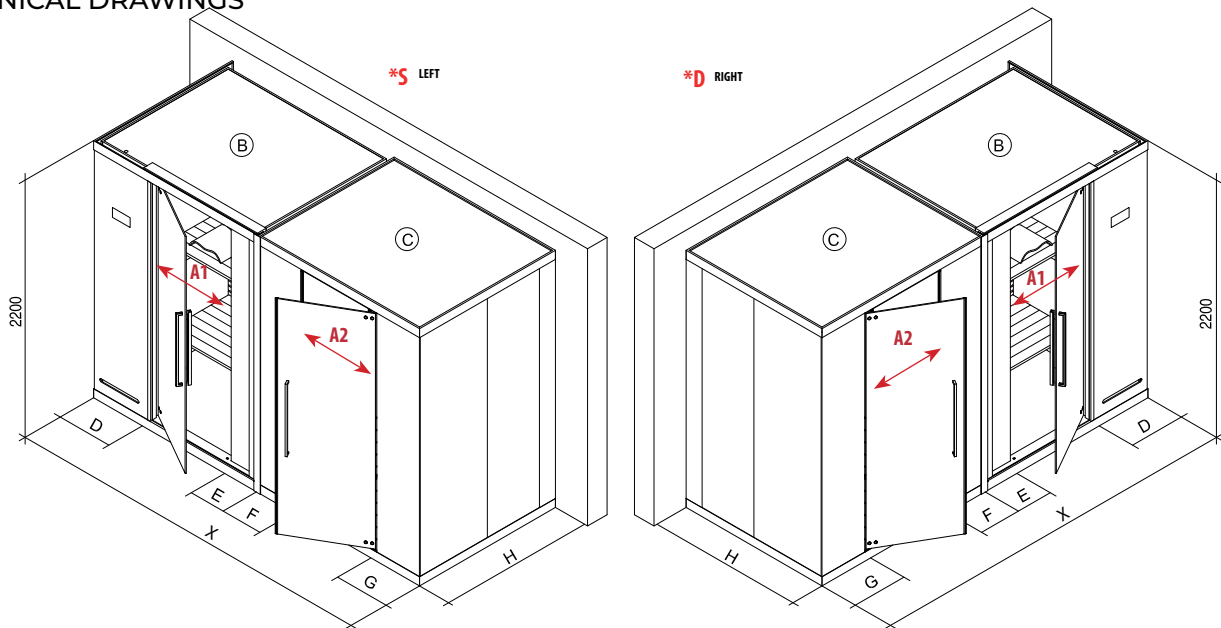


HOME AUTOMATION CONNECTION PRE-SETUP:

The **sauna** can be integrated with compatible home automation systems thanks to the preconfigured electrical board. This allows the heater to be turned on and off directly through the system, providing advanced Comfort and convenience.

NIRVANA COMBI 1

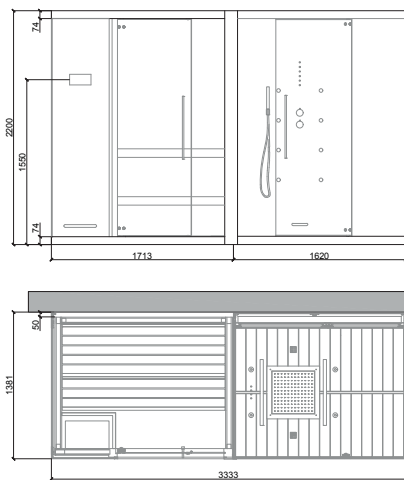
TECHNICAL DRAWINGS



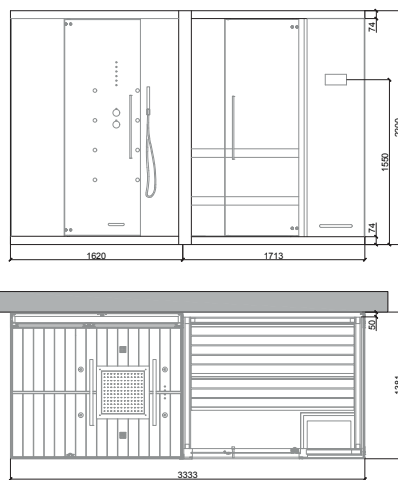
(X x H) mm	(B) mm	(C) mm	(A1) mm	(A2) mm	(D) mm	(E) mm	(F) mm	(G) mm	SAUNA kW	HAMMAM kW
3333x1381	1670x1300	1620x1381	680	710	620	380	380	500	4.5	4.4
4129x1581	2070x1500	2016x1581	680	710	620	780	580	700	6.0	4.4

3333x1381

LEFT

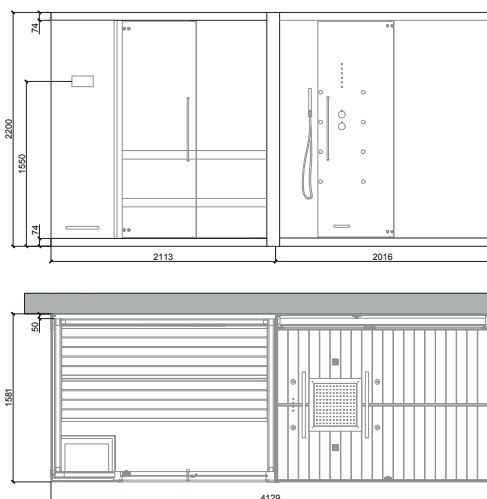


RIGHT

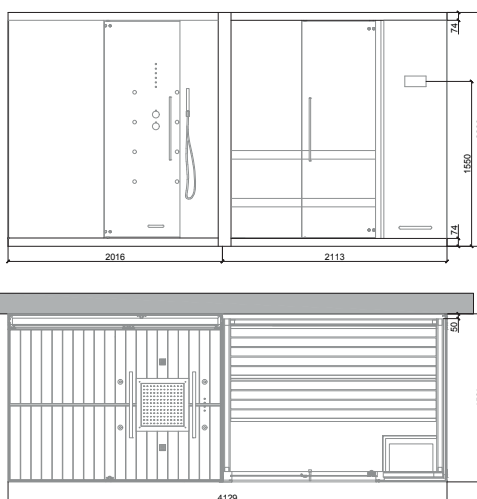


4129x1581

LEFT



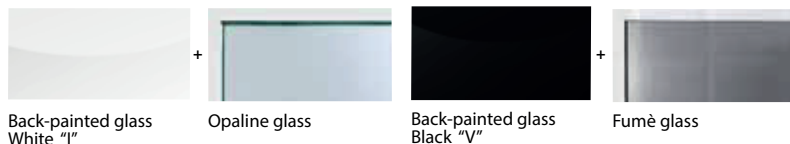
RIGHT



INTERNAL COATING



EXTERIOR GLASS COATING



SITTING SAUNA



DOOR



MEASURE	kW.	CODE	INTERNAL COATING	Exterior FINISHES		DELIVERY
				WHITE PAINTED + GLASS OPALINE - I	BLACK PAINTED + FUMÈ GLASS - V	
3333x1381	4,5 + 4,4 kW	N1PM333*/Z_AF	FIR CLASSIC	35.521	35.521	5-6 weeks
		N1PM333*/E_AF	HEMLOCK	39.286	39.286	5-6 weeks
		N1PM333*/T_AF	FIR BLACK	-	38.081	5-6 weeks
		N1PM333*/L_AF	FIR WHITE	38.081	-	5-6 weeks
4129x1581	6 + 4,4 kW	N1PM418*/Z_AF	FIR CLASSIC	40.792	40.792	5-6 weeks
		N1PM418*/E_AF	HEMLOCK	45.059	45.059	5-6 weeks
		N1PM418*/T_AF	FIR BLACK	-	43.804	5-6 weeks
		N1PM418*/L_AF	FIR WHITE	43.804	-	5-6 weeks

· Special sizes on request

FEATURES/COMPONENTS SAUNA

Electric stove with lava stone
 Professional digital control unit with temperature control.
 LED light on bench - LED chromotherapy
 Hourglass with sand for 15 minutes time duration.
 Thermo-hygrometer for temperature and humidity control inside the sauna.
 Wooden tub and ladle.
 Handle made of wood inside and aluminum outside with matching finish.
 Wooden frame 62 mm thick with rock wool insulation space.
 Transparent tempered glass door 8 mm thick
 Benches made of knotless Ayouos solid wood
 Removable wooden floor

EQUIPMENTS	code	buttons in satin silver finish	buttons in matte black finish	music therapy system	
Easy control 2	" B "	■			+ 900
Easy control 2 BLACK	" Y "		■		+ 1.000
Wellness	" R "	■		■	+ 1.800
Wellness BLACK	" 1 "		■	■	+ 1.800

Replace "A" with the corresponding code for the chosen equipments.

FEATURES/COMPONENTS HAMMAM

Multifunctional shower head size 50x50cm
 Stripe-led chromotherapy
 Turkish steam bath in 3 temperatures in sequence
 glass control panel with touch-screen functions
 hand shower
 waterfall
 nebulizers
 8 vertical water jets
 pair of 50W Bluetooth speakers
 aromatherapy with essences
 shower tray included

STANDARD HEIGHT	h. 2200 mm
GLASS THICKNESS	8 mm
HANDLE SAUNA	wood/aluminum h. 58 cm
HANDLE HAMMAM	aluminum h. 58 cm
POWER SUPPLY SAUNA	220-380V - Specify before the order
POWER SUPPLY HAMMAM	220V Single-phase
NUMBER OF PEOPLE MAX.	6 (art. 4151x1881)

OPTIONAL:

STOOL SAUNA

AWTA04/Z	330
----------	-----

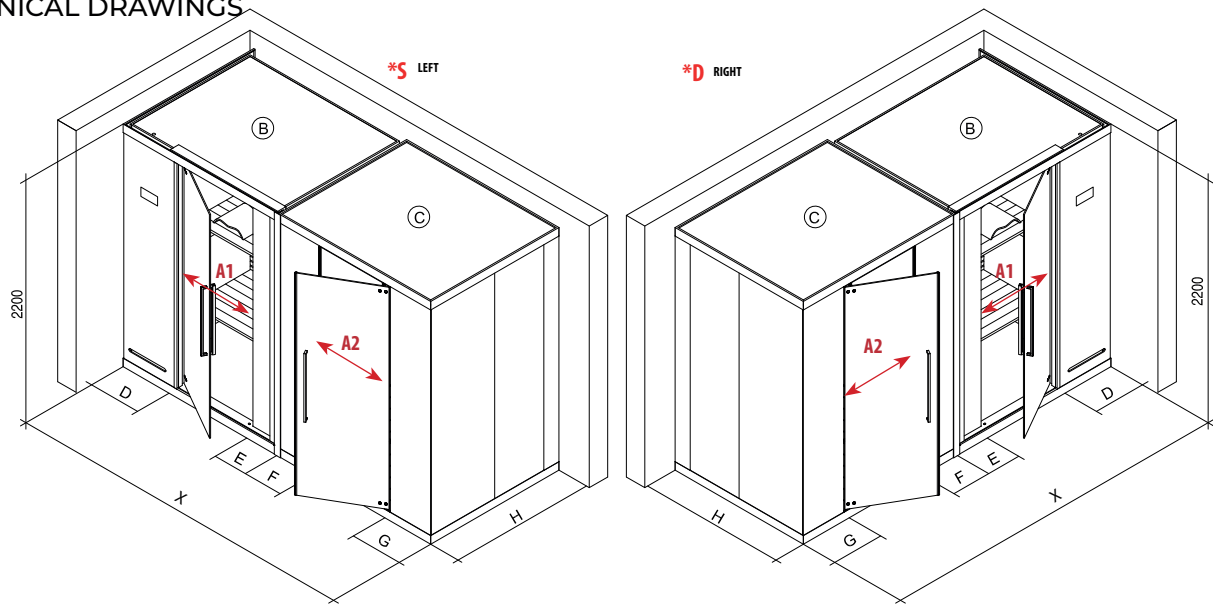
EMERGENCY BUTTON

AWZS05	500
--------	-----

For special solutions and assembling ask for feasibility

NIRVANA COMBI 1

TECHNICAL DRAWINGS



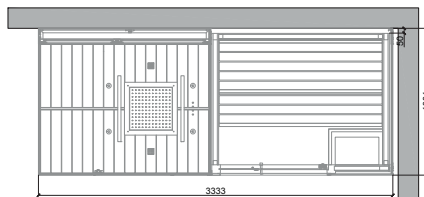
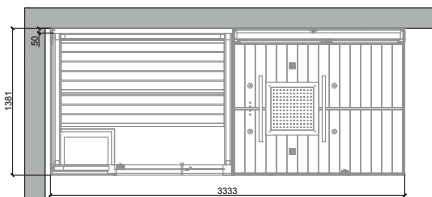
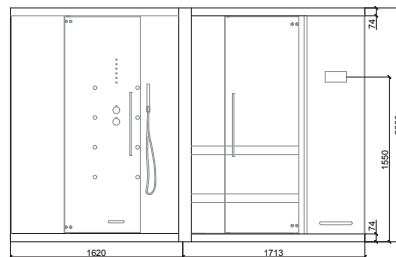
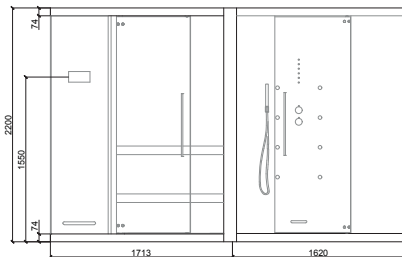
(X x H) mm	(B) mm	(C) mm	(A1) mm	(A2) mm	(D) mm	(E) mm	(F) mm	(G) mm	SAUNA kW	HAMMAM kW
3333x1381	1670x1300	1620x1381	680	710	614	410	380	500	4.5	4.4
4129x1581	2070x1500	2016x1581	680	710	674	750	780	700	6.0	4.4

3333x1381

The side glass resting against the wall will have a back-painted finish.

LEFT

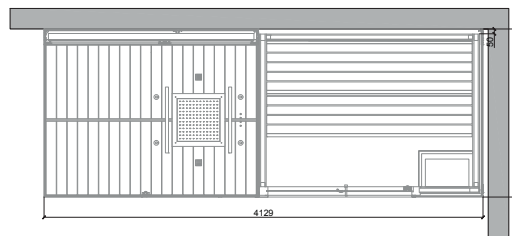
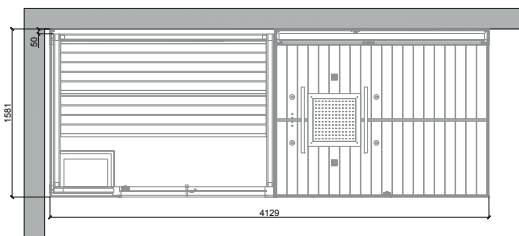
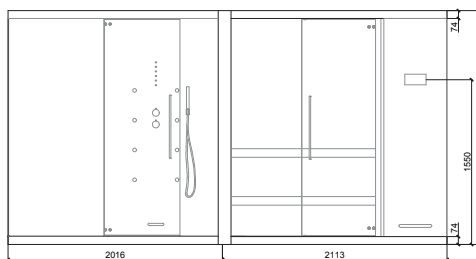
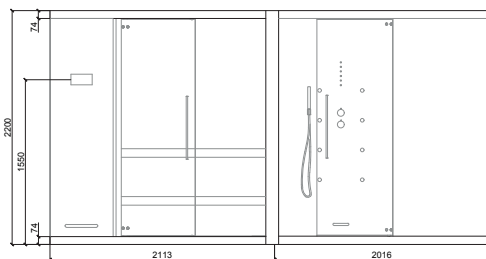
RIGHT



4129x1581

LEFT

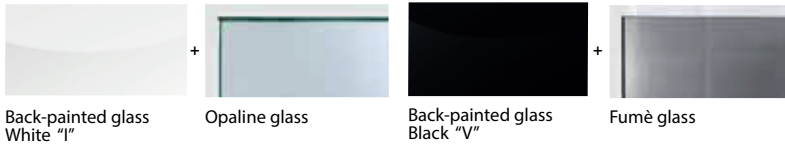
RIGHT



INTERNAL COATING



EXTERIOR GLASS COATING



SITTING SAUNA



Ayous wood

DOOR



Transparent glass "F"

MEASURE	kW.	CODE	INTERNAL COATING	Exterior FINISHES		DELIVERY
				WHITE PAINTED + GLASS OPALINE - I	BLACK PAINTED + FUMÈ GLASS - V	
3333x1381	4,5 + 4,4 kW	N1AM333*/Z_AF	FIR CLASSIC	34.893	34.893	5-6 weeks
		N1AM333*/E_AF	HEMLOCK	38.658	38.658	5-6 weeks
		N1AM333*/T_AF	FIR BLACK	-	37.453	5-6 weeks
		N1AM333*/L_AF	FIR WHITE	37.453	-	5-6 weeks
4129x1581	6 + 4,4 kW	N1AM418*/Z_AF	FIR CLASSIC	40.164	40.164	5-6 weeks
		N1AM418*/E_AF	HEMLOCK	44.432	44.432	5-6 weeks
		N1AM418*/T_AF	FIR BLACK	-	43.177	5-6 weeks
		N1AM418*/L_AF	FIR WHITE	43.177	-	5-6 weeks

· Special sizes on request

FEATURES/COMPONENTS SAUNA

Electric stove with lava stone
 Professional digital control unit with temperature control.
 LED light on bench - LED chromotherapy
 Hourglass with sand for 15 minutes time duration.
 Thermo-hygrometer for temperature and humidity control inside the sauna.
 Wooden tub and ladle.
 Handle made of wood inside and aluminum outside with matching finish.
 Wooden frame 62 mm thick with rock wool insulation space.
 Transparent tempered glass door 8 mm thick
 Benches made of knotless Ayous solid wood
 Removable wooden floor

EQUIPMENTS	code	buttons in satin silver finish	buttons in matte black finish	music therapy system	
Easy control 2	"B"	■			+ 900
Easy control 2 BLACK	"Y"		■		+ 1.000
Wellness	"R"	■		■	+ 1.800
Wellness BLACK	"1"		■	■	+ 1.800

Replace "A" with the corresponding code for the chosen equipments.

FEATURES/COMPONENTS HAMMAM

Multifunctional shower head size 50x50cm
 Stripe-led chromotherapy
 Turkish steam bath in 3 temperatures in sequence
 glass control panel with touch-screen functions
 hand shower
 waterfall
 nebulizers
 8 vertical water jets
 pair of 50W Bluetooth speakers
 aromatherapy with essences
 shower tray included

STANDARD HEIGHT	h. 2200 mm
GLASS THICKNESS	8 mm
HANDLE SAUNA	wood/aluminum h. 58 cm
HANDLE HAMMAM	aluminum h. 58 cm
POWER SUPPLY SAUNA	220-380V - Specify before the order
POWER SUPPLY HAMMAM	220V Single-phase
NUMBER OF PEOPLE MAX.	6 (art. 4151x1881)

OPTIONAL:

STOOL SAUNA

AWTA04/Z	330
----------	-----

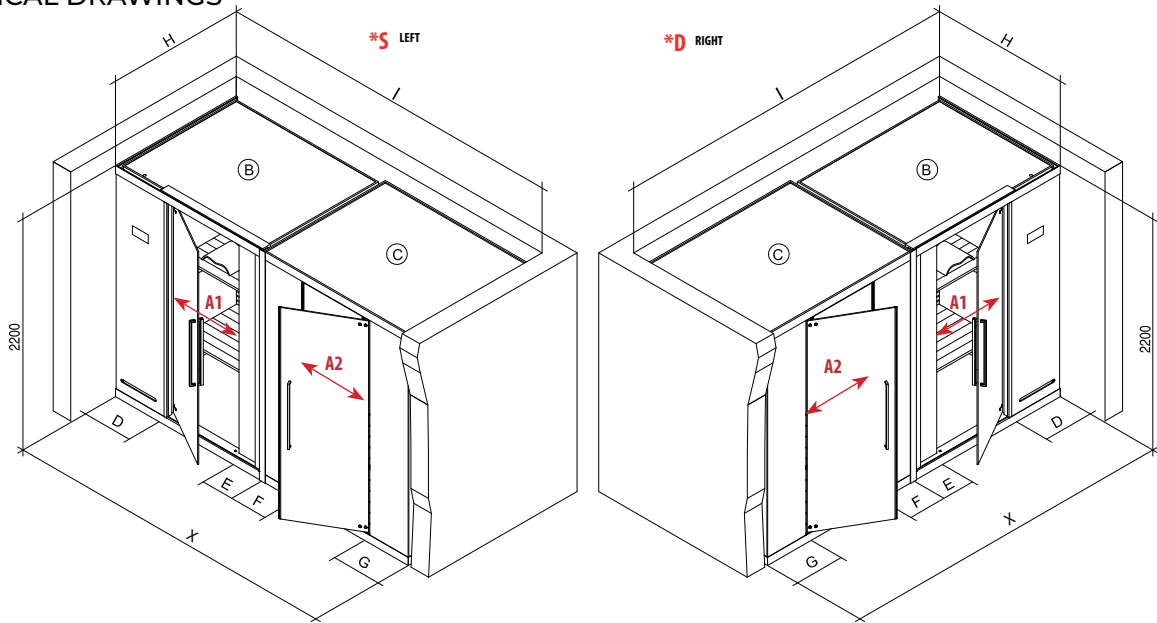
EMERGENCY BUTTON

AWZS05	500
--------	-----

For special solutions and assembling ask for feasibility

NIRVANA COMBI 1

TECHNICAL DRAWINGS



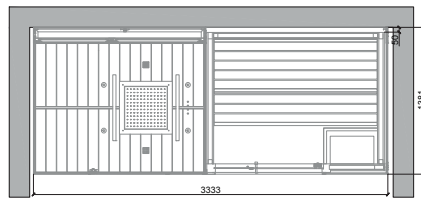
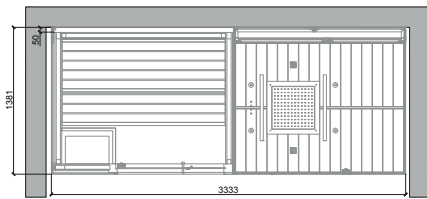
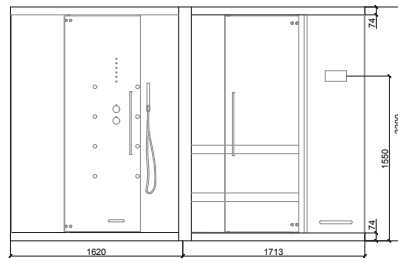
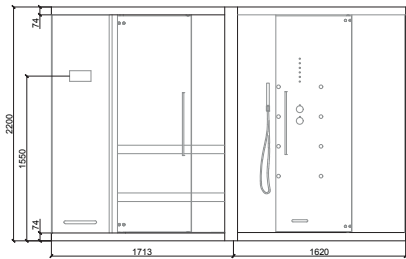
(X x H) mm	(B) mm	(C) mm	(A1) mm	(A2) mm	(D) mm	(E) mm	(F) mm	(G) mm	(I) mm	SAUNA kW	HAMMAM kW
3333x1381	1670x1300	1620x1381	680	710	614	410	380	500	3385	4.5	4.4
4129x1581	2070x1500	2016x1581	680	710	674	750	780	700	4181	6.0	4.4

3333x1381

The side glasses resting against the walls will have a back-painted finish.

LEFT

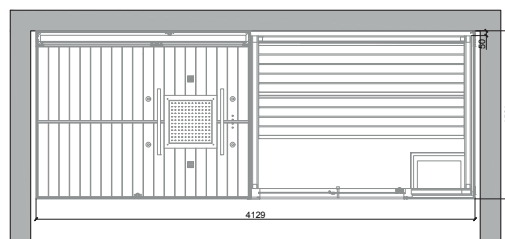
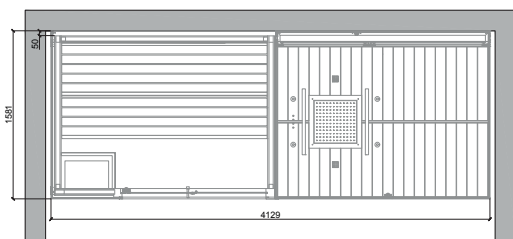
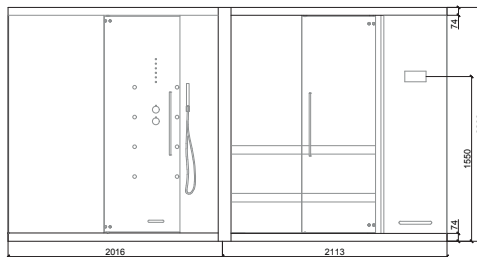
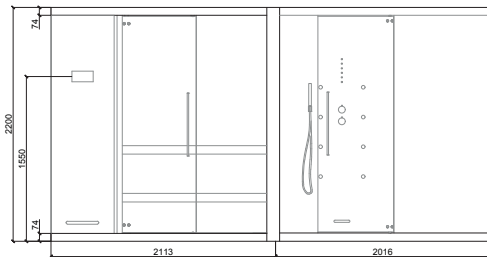
RIGHT



4129x1581

LEFT

RIGHT



INTERNAL COATING



Wood Hemlock "E" Classic Fir "Z" Wood Fir White "L" Wood Fir Black "T" Oak wood "R"
replace "E" with "R" Elm wood "M"
replace "E" with "M" Canaletto walnut "Q"
replace "E" with "Q"

EXTERIOR GLASS COATING



Back-painted glass White "I" Opaline glass Back-painted glass Black "V" Fumè glass

SITTING SAUNA



Ayous wood

DOOR



Transparent glass "F"

MEASURE	kW.	CODE	INTERNAL COATING	Exterior FINISHES		DELIVERY
				WHITE PAINTED + GLASS OPALINE - I	BLACK PAINTED + FUMÈ GLASS - V	
3333x1381	4,5 + 4,4 kW	N1NM333*/Z_AF	FIR CLASSIC	34.893	34.893	5-6 weeks
		N1NM333*/E_AF	HEMLOCK	38.658	38.658	5-6 weeks
		N1NM333*/T_AF	FIR BLACK	-	37.453	5-6 weeks
		N1NM333*/L_AF	FIR WHITE	37.453	-	5-6 weeks
4129x1581	6 + 4,4 kW	N1NM418*/Z_AF	FIR CLASSIC	40.164	40.164	5-6 weeks
		N1NM418*/E_AF	HEMLOCK	44.432	44.432	5-6 weeks
		N1NM418*/T_AF	FIR BLACK	-	43.177	5-6 weeks
		N1NM418*/L_AF	FIR WHITE	43.177	-	5-6 weeks

• Special sizes on request

FEATURES/COMPONENTS SAUNA

Electric stove with lava stone
Professional digital control unit with temperature control.
LED light on bench - LED chromotherapy
Hourglass with sand for 15 minutes time duration.
Thermo-hygrometer for temperature and humidity control inside the sauna.
Wooden tub and ladle.
Handle made of wood inside and aluminum outside with matching finish.
Wooden frame 62 mm thick with rock wool insulation space.
Transparent tempered glass door 8 mm thick
Benches made of knotless Ayous solid wood
Removable wooden floor

EQUIPMENTS	code	buttons in satin silver finish	buttons in matte black finish	music therapy system	
Easy control 2	"B"	■			+ 900
Easy control 2 BLACK	"Y"		■		+ 1.000
Wellness	"R"	■		■	+ 1.800
Wellness BLACK	"1"		■	■	+ 1.800

Replace "A" with the corresponding code for the chosen equipments.

FEATURES/COMPONENTS HAMMAM

Multifunctional shower head size 50x50cm
Stripe-led chromotherapy
Turkish steam bath in 3 temperatures in sequence
glass control panel with touch-screen functions
hand shower
waterfall
nebulizers
8 vertical water jets
pair of 50W Bluetooth speakers
aromatherapy with essences
shower tray included

STANDARD HEIGHT	h. 2200 mm
GLASS THICKNESS	8 mm
HANDLE SAUNA	wood/aluminum h. 58 cm
HANDLE HAMMAM	aluminum h. 58 cm
POWER SUPPLY SAUNA	220-380V - Specify before the order
POWER SUPPLY HAMMAM	220V Single-phase
NUMBER OF PEOPLE MAX.	6 (art. 4151x1881)

OPTIONAL:

STOOL SAUNA

AWTA04/Z	330
----------	-----

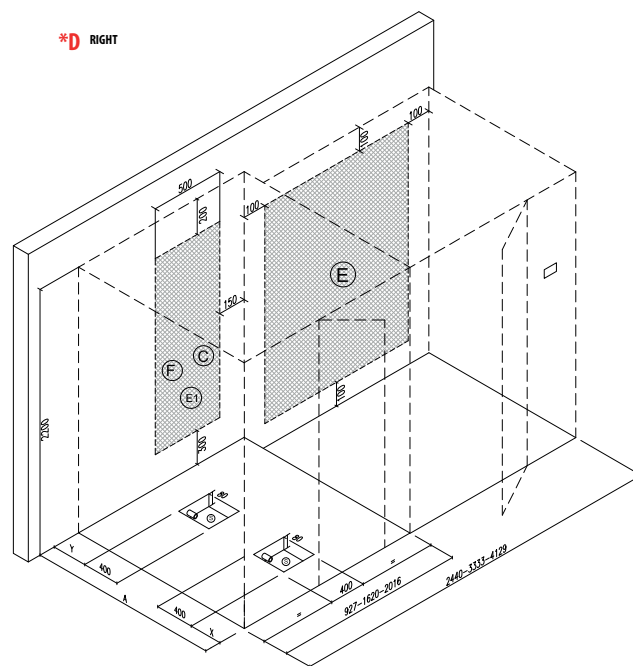
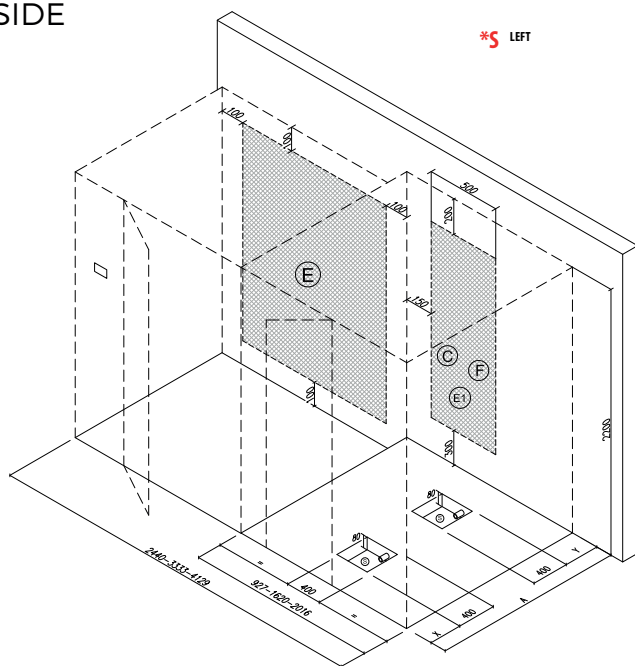
EMERGENCY BUTTON

AWZS05	500
--------	-----

For special solutions and assembling ask for feasibility

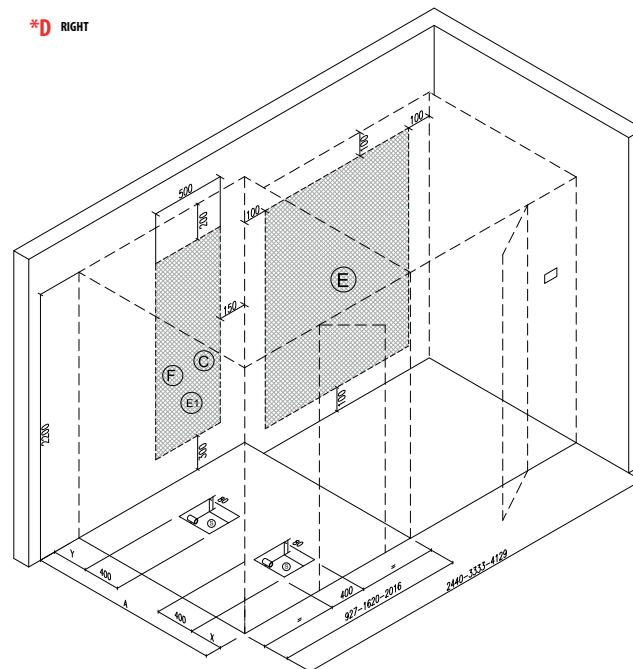
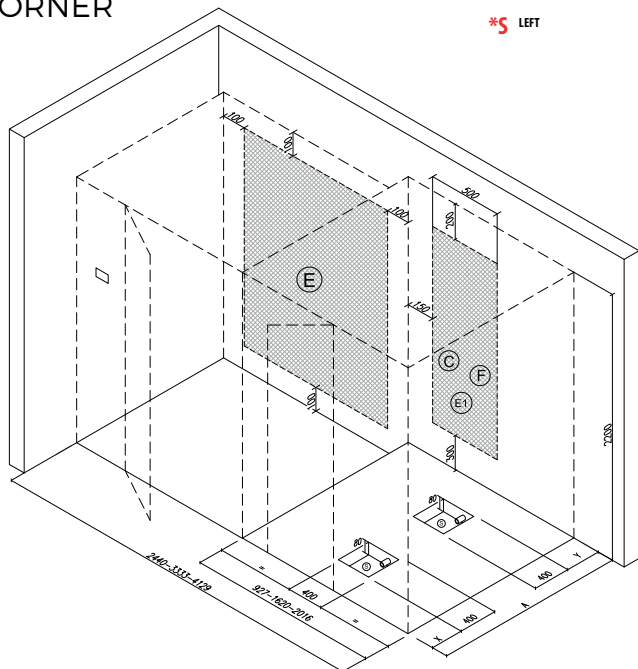
PRE-INSTALLATION SHEET

3 SIDE



SAUNA mm	HAMMAM mm	MAX mm	SAUNA kW	HAMMAM kW	(A) mm	(X) mm	(Y) mm
1670x1300	1620x1381	3333x1381	4.5	4.4	1381	115	182
2070x1500	2016x1581	4129x1581	6.0	4.4	1581	165	231

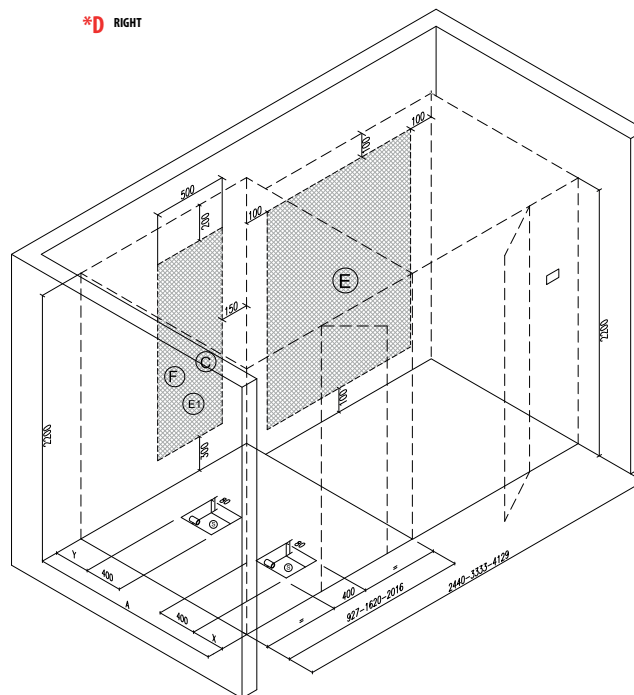
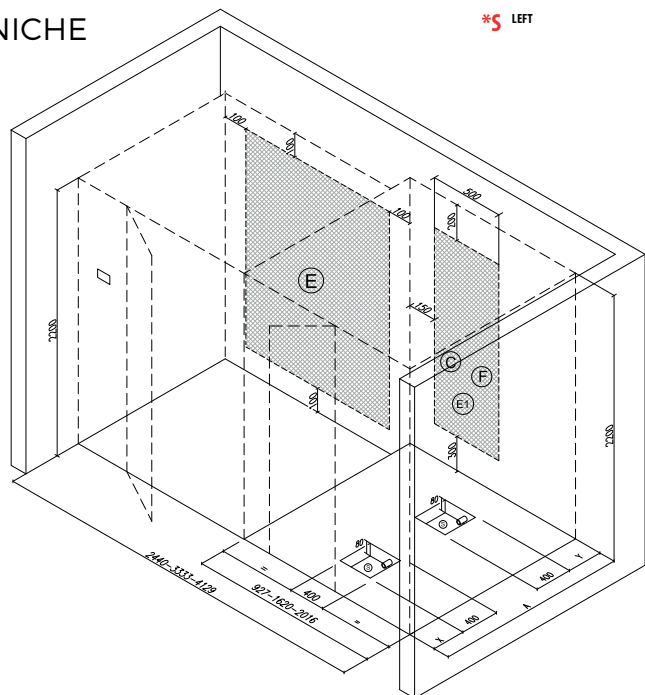
CORNER



SAUNA mm	HAMMAM mm	MAX mm	SAUNA kW	HAMMAM kW	(A) mm	(X) mm	(Y) mm
1670x1300	1620x1381	3333x1381	4.5	4.4	1381	115	182
2070x1500	2016x1581	4129x1581	6.0	4.4	1581	165	231

PRE-INSTALLATION SHEET

NICHE



SAUNA mm	HAMMAM mm	MAX mm	SAUNA kW	HAMMAM kW	(A) mm	(X) mm	(Y) mm
1670x1300	1620x1381	3333x1381	4.5	4.4	1381	115	182
2070x1500	2016x1581	4129x1581	6.0	4.4	1581	165	231

ELECTRICAL SAFETY

The product assumes that the system to which the sauna is connected, and the room in which the product is installed, meet the safety requirements laid down by standards and laws, among which the following are particularly important:

- Have an efficient protection circuit (earthing);
- Have a highly sensitive differential protection device according to the output of the heat generator;
- Limitation of electrical devices in the zones (zones 0, 1, 2, 3) of the bathroom and equal potential of the same
- Provide a mains disconnection switch with contact opening < 3 mm and characteristics suitable for the sauna's rated data
- Provision of a suitable cable connection system in accordance with the installed power rating.
- Use of certified electrical material according to standard

Power supply 220-380V

N.B: please specify before ordering

HYDRAULIC SAFETY

Prepare the hot and cold water supply connections and the drain connection.

For the correct functioning of the turkish bath and the multifunctional systems the water system must have the following characteristics

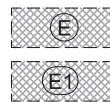
- Normal pressure at 3.5 bar.
- Min / Max network pressure from 2 to 5 bar.
- Hot water temperature at 60 °C.
- Minimum water flow 12 l / min

The connection to the water network must be carried out in compliance with the provisions of the law and current regulations also concerning the pollution of water networks.

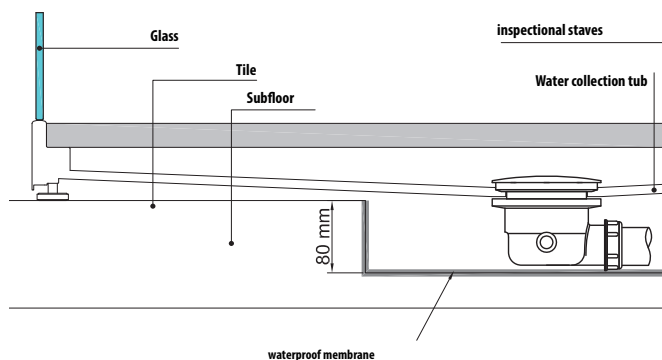
EXCAVATION AND SHOWER TRAY SECTION

WARNING: check that the slope of the hose is at least 2%.
Drain pipe ø 40 mm.

- (S) Double floor drain connection Ø40 mm
 - (C) (F) Hot and cold water connection for 1/2" diameter taps
 - (E) (E1) Power supply 220-380V
- N.B: please specify before ordering



Suitable area for electrical connection.





ZEN COMBI

DUO CORNER

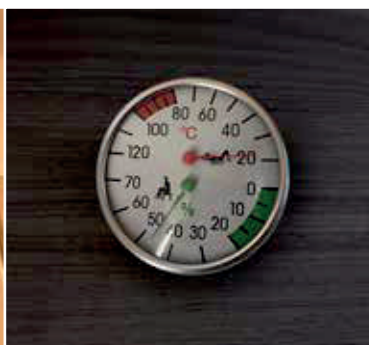
SAUNA + HAMMAM

ZEN Combi in this Megius relaxation solution we can admire the exaltation of the heat-water combination.

Exteriorly it is perceived as a single body, stylistically coordinated in detail, although on closer inspection it is two wellness souls:

So, Zen Combi combines a shower and steam bath with wooden bench and shelves and a sauna with a corner entrance: all surfaces are similar on both sides; a kind of mini-spa can easily be placed in a home environment

STYLE DETAILS



TECHNICAL FEATURES ZEN COMBI

SAUNA + HAMMAM

GLASS FINISH



Transparent tempered glass "F"

PROFILE FINISHES



Matt White Aluminum "E"



Matt Black Aluminum "Z"

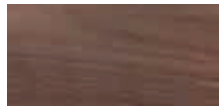
INTERNAL COATING



Wood Hemlock "E"



Classic Fir "Z"



Canaletto walnut "E"

SITTING SAUNA



Ayous wood

SITTING HAMMAM



Wood Ash heat treated

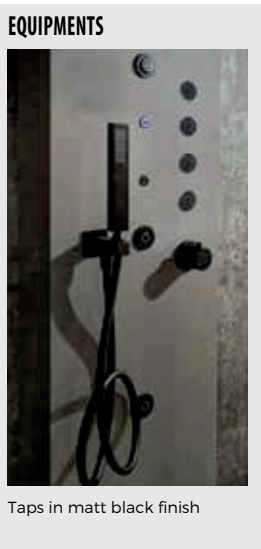
COVER AND TECHNICAL DOOR



White "E"



Black "Z"



Taps in matt black finish

CUSTOM SIZE	width max. 4151 mm
	depth max. 1881 mm
	height max. 2200 mm
STANDARD DIMENSIONS	2540x1805 mm
	2940x2055 mm
STANDARD HEIGHT	h. 2140mm
GLASS THICKNESS	6 mm HAMMAM - 8 mm SAUNA
HANDLE SAUNA	wood/aluminum h. 580 mm
HANDLE SHOWER ENCLOSURES	aluminum h. 580 mm
POWER SUPPLY SAUNA	220-380V - Specify before the order
POWER SUPPLY HAMMAM	220V Single-phase
LIGHTING	Strip Led RGB HAMMAM/SAUNA
PROTECTIVE TREATMENT	included
SHOWER TRAY HAMMAM	included
SITTING HAMMAM	included
SITTING SAUNA	included
WOODEN SHELVES	n°6 included
DELIVERY TIME	5-6 weeks

FEATURES/COMPONENTS HAMMAM

built-in shower head size 25x25cm
 3 back jets
 waterfall
 hand shower
 thermostatic mixer
 4-way mechanical diverter
 inspectional technical door
 steam generator
 seat and shelves in Iroko wood
 chromotherapy with n°1 LED strip on the ceiling

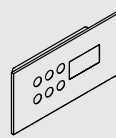
SAUNA FEATURES/COMPONENTS

Electric stove with lava stone, with integrated control ignition
 LED light on bench - LED chromotherapy.
 Hourglass with sand for 15 minutes time duration.
 Thermo-hygrometer for monitoring temperature and humidity inside the sauna.
 Wooden tub and ladle.
 Opening system with HINGED door
 Removable wooden floor slats



HOME AUTOMATION CONNECTION PRE-SETUP:

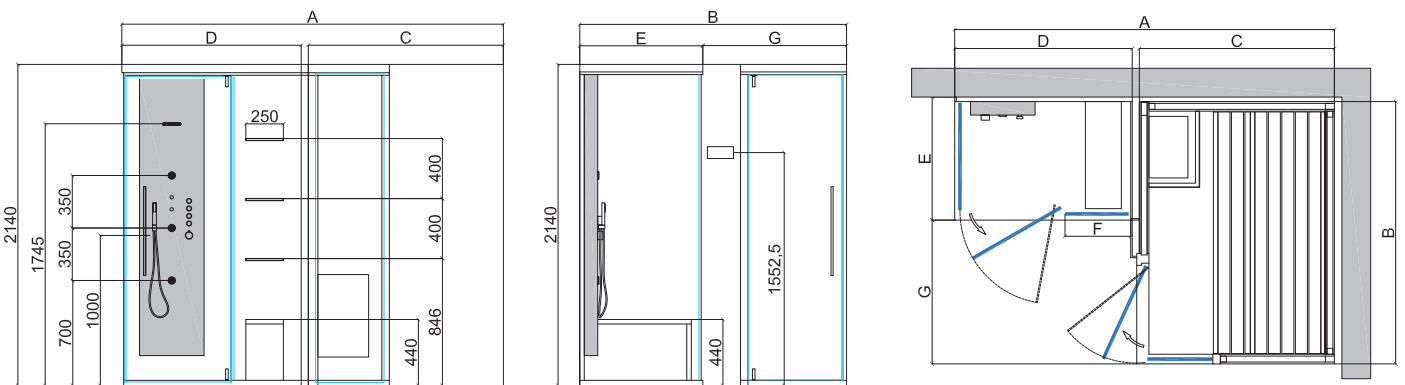
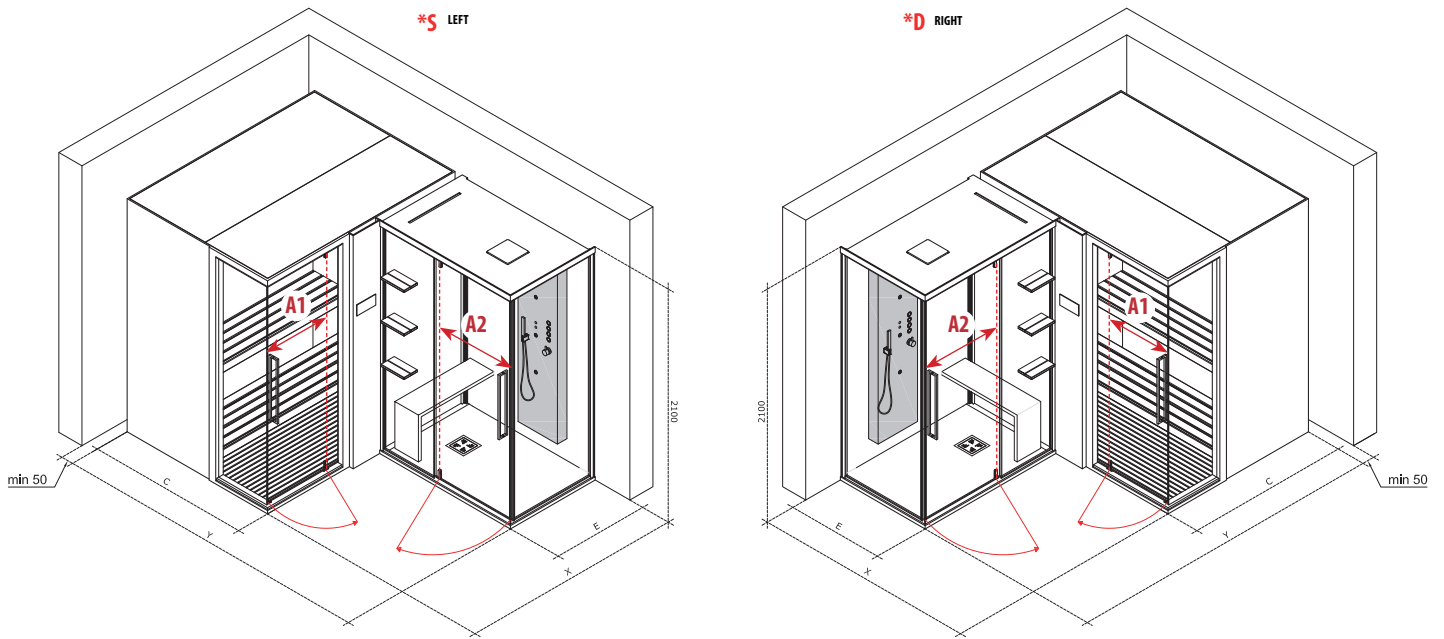
The **sauna y hammam** can be integrated with compatible home automation systems, thanks to the pre-configured electronic board. This allows you to control the heater's on and off functions directly through the system, offering advanced comfort and convenience.



The new Touch Display allows you to combine and manage the various functions between sauna and hammam synergistically across products, as well as control the turning on and off of interior lights. Available in two colors: white and black.

ZEN COMBI DUO CORNER

TECHNICAL DRAWINGS



(X x Y) mm	(A1) mm	(A2) mm	(B) mm	(C) mm	(D) mm	(E) mm	(F) mm	SAUNA kW	HAMMAM kW
1805x2540	600	650	1750	1300	1200	800	900	4.5	2.5
2055x2940	700	750	2000	1500	1400	900	950	6	3.5

STANDARD HEIGHT	h. 2140 mm
GLASS THICKNESS	6 mm HAMMAM - 8 mm SAUNA
HANDLE SAUNA	wood/aluminum h. 580 mm
HANDLE SHOWER ENCLOSURES	aluminum h. 580 mm
POWER SUPPLY	220-380V - Specify before the order
PROTECTIVE TREATMENT	included
SHOWER TRAY HAMMAM	included
WOODEN SHELVES	n°6 included
SITTING HAMMAM	included
SITTING SAUNA	included
LIGHTING	Strip Led RGB HAMMAM/SAUNA

*The new buttons on the column will be available from 05/2025.

GLASS FINISH



Transparent tempered glass "F"

INTERNAL COATING



Classic Fir "Z"



Wood Hemlock "E"



Canaletto walnut "Q"

SITTING SAUNA



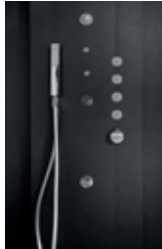
Ayous wood

SITTING HAMMAM



Wood Ash heat treated

COVER AND TECHNICAL DOOR



White "E"

Black "Z"

PROFILE FINISHES



Matt White Aluminum "E"



Matt Black Aluminum "Z"

MEASURE		kW		COVER AND TECHNICAL DOOR					
COMBI	SAUNA	HAMMAM	S.	H.	CODE	INTERNAL COATING	WHITE - E	BLACK - Z	DELIVERY
2540x1805	1750x1300	1200x800	4,5	2,5	ZCAM251*/Z_AF	FIR CLASSIC	22.500	22.500	5-6 weeks
					ZCAM251*/E_AF	HEMLOCK	25.700	25.700	5-6 weeks
					ZCAM251*/Q_AF	CANALETTO WALNUT	26.300	26.300	5-6 weeks
2940x2055	2000x1500	1400x900	6	3,5	ZCAM292*/Z_AF	FIR CLASSIC	25.100	25.100	5-6 weeks
					ZCAM292*/E_AF	HEMLOCK	28.600	28.600	5-6 weeks
					ZCAM292*/Q_AF	CANALETTO WALNUT	29.200	29.200	5-6 weeks

SAUNA CUSTOMIZED SIZE:

Width min. 1200 mm - depth min. 1100 mm - height min. 2050 mm
Width max. 2200 mm - depth max. 2200 mm - height max. 2200 mm

HAMMAM CUSTOMIZED SIZE:

Width min. 1000 mm - depth min. 700 mm - height min. 2050 mm
Width max. 1400 mm - depth max. 1000 mm - height max. 2200 mm

- For intermediate special sizes consider the price of the next larger size + 5%
- For special measures higher feasibility and price on request

FEATURES/COMPONENTS HAMMAM

built-in shower head size 25x25cm
3 back jets
waterfall
hand shower
thermostatic mixer
4-way mechanical diverter
inspectional technical door
steam generator
seat and shelves in Iroko wood
chromotherapy with n°1 LED strip on the ceiling

SAUNA FEATURES/COMPONENTS

Electric stove with lava stone, with integrated control ignition
LED light on bench - LED chromotherapy.
Hourglass with sand for 15 minutes time duration.
Thermo-hygrometer for monitoring temperature and humidity inside the sauna.
Wooden tub and ladle.
Opening system with HINGED door
Removable wooden floor slats

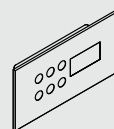
OPTIONAL:

EMERGENCY BUTTON

AWZS05	500
--------	-----

EQUIPMENTS	code	buttons in satin silver finish	buttons in matte black finish	black faucets	music therapy system	
Easy control 2	"B"	■				+ 900
Easy control 2 BLACK	"Y"		■			+ 1.000
Wellness	"R"	■			■	+ 2.300
Idro Wellness BLACK	"S"		■	■	■	+ 2.600
Black	"H"			■		+ 1.100
Music	"I"				■	+ 1.300
Music BLACK	"Q"			■	■	+ 2.300

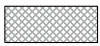
Replace "A" with the corresponding code for the chosen equipments.



The new Touch Display allows you to combine and manage the various functions between sauna and hammam synergistically across products, as well as control the turning on and off of interior lights. Available in two colors: white and black.

For special solutions and assembling ask for feasibility

PRE-INSTALLATION SHEET



Fully inspectable area for hydraulic and electrical connections

- Hot water connection for taps 1/2'
- Cold water connection for taps 1/2'
- Power supply 220-240V - 50Hz single phase
- Power supply 220-240 / 380-400 V - 50 Hz single-phase or three-phase

SPECIFY BEFORE THE ORDER

(A) mm	(Z) mm	(X) mm	(Y) mm	(B) mm	(H) mm	(L) mm	E1 kW	E2 kW
2.540	1.805	1.250	800	2.020	600	1.500	2.50	4.50
2.940	2.050	1.450	900	2.320	800	1.700	3.50	6.00

ELECTRICAL SAFETY

The product assumes that the system to which it is connected and the room in which it is installed meet the safety requirements established by rules and laws, including:

- Have an efficient protection (grounding) circuit.
- Have a high sensitivity differential protection device according to the power of the steam generator.
- Limitation of electrical devices in the zones (zones 0, 1, 2, 3) of the bathrooms and their equipotentiality.
- Prepare a mains disconnector with contact opening <3 mm and characteristics suitable for the nominal sauna data.
- Prepare a suitable connection system with a standard cable according to the installed power.
- Use of electrical equipment certified according to the rules.

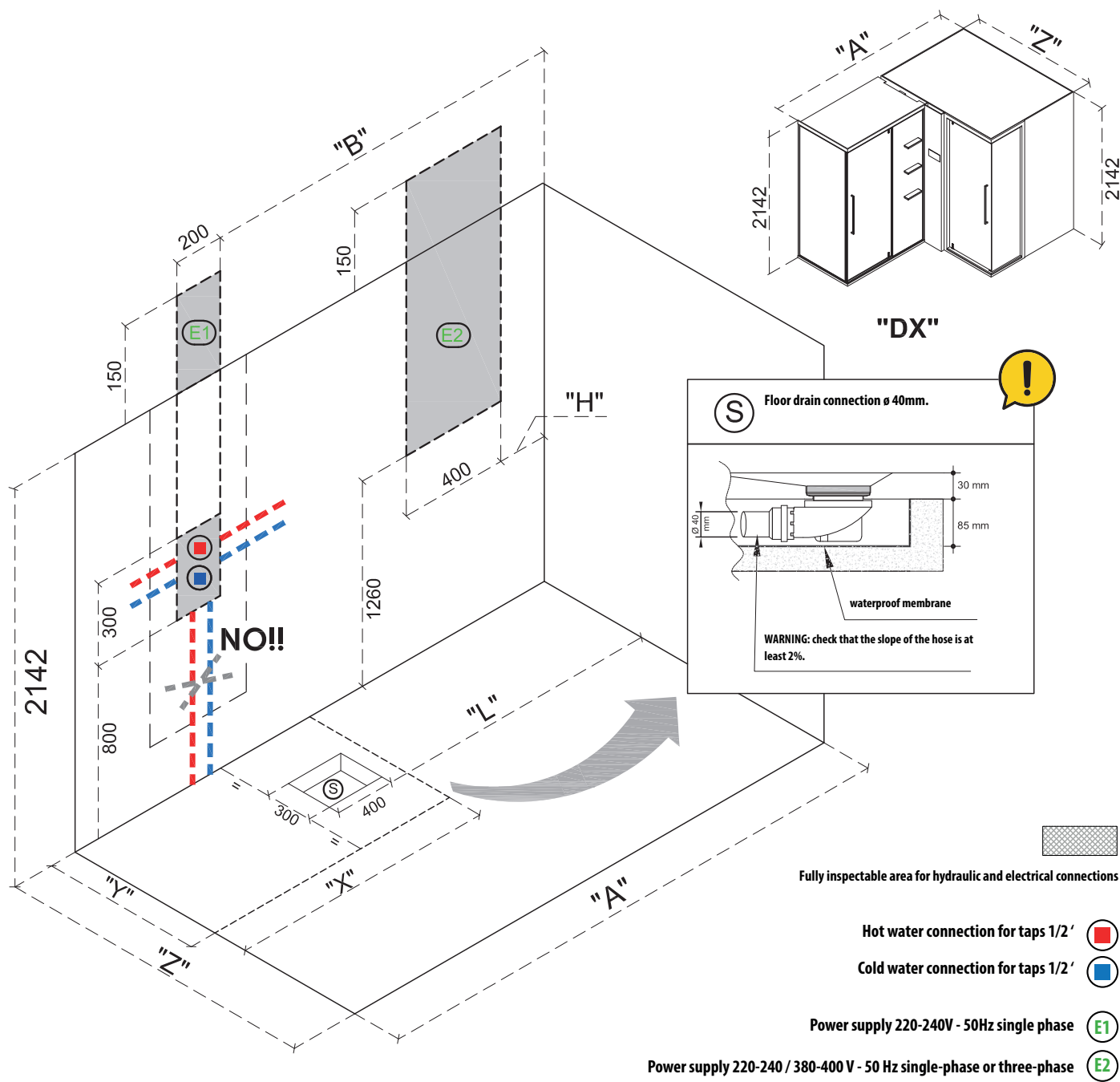
HYDRAULIC SAFETY

Prepare the hot and cold water supply connections and the drain connection. For the correct functioning of the turkish bath and the multifunctional systems the water system must have the following characteristics

- Normal pressure at 3.5 bar.
- Min / Max network pressure from 2 to 5 bar.
- Hot water temperature at 60 °C.
- Minimum water flow 12 l / min

The connection to the water network must be carried out in compliance with the provisions of the law and current regulations also concerning the pollution of water networks.

PRE-INSTALLATION SHEET



Fully inspectable area for hydraulic and electrical connections

SPECIFY BEFORE THE ORDER

(A) mm	(Z) mm	(X) mm	(Y) mm	(B) mm	(H) mm	(L) mm	E1 kW	E2 kW
2.540	1.805	1.250	800	2.020	600	1.500	2.50	4.50
2.940	2.050	1.450	900	2.320	800	1.700	3.50	6.00

ELECTRICAL SAFETY

The product assumes that the system to which it is connected and the room in which it is installed meet the safety requirements established by rules and laws, including:

- Have an efficient protection (grounding) circuit.
- Have a high sensitivity differential protection device according to the power of the steam generator.
- Limitation of electrical devices in the zones (zones 0, 1, 2, 3) of the bathrooms and their equipotentiality.
- Prepare a mains disconnector with contact opening < 3 mm and characteristics suitable for the nominal sauna data.
- Prepare a suitable connection system with a standard cable according to the installed power.
- Use of electrical equipment certified according to the rules.

HYDRAULIC SAFETY

Prepare the hot and cold water supply connections and the drain connection. For the correct functioning of the turkish bath and the multifunctional systems the water system must have the following characteristics

- Normal pressure at 3.5 bar.
- Min / Max network pressure from 2 to 5 bar.
- Hot water temperature at 60°C .
- Minimum water flow 12 l / min

The connection to the water network must be carried out in compliance with the provisions of the law and current regulations also concerning the pollution of water networks.



ZEN COMBI

DUO LINEAR

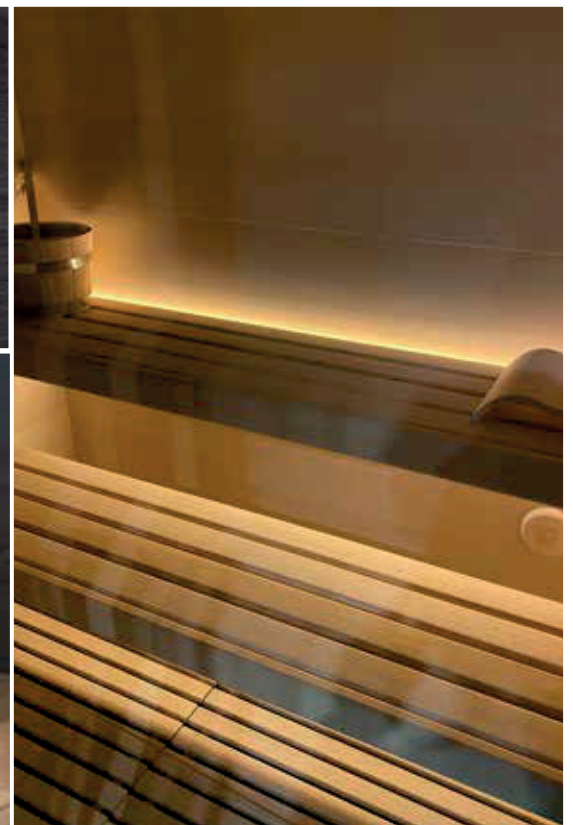
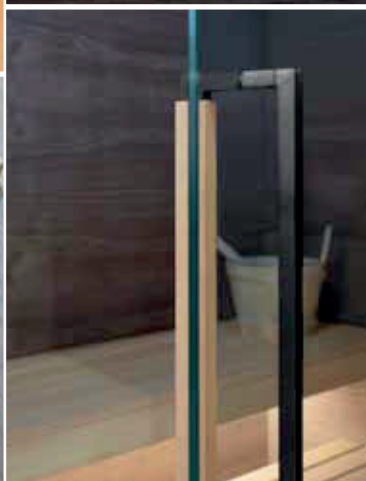
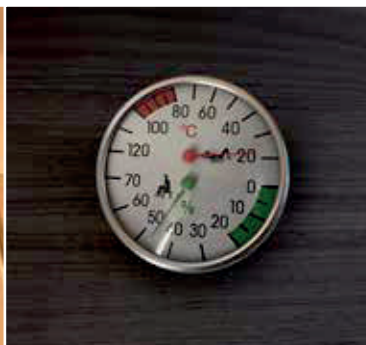
SAUNA + HAMMAM

ZEN Combi in this Megius relaxation solution we can admire the exaltation of the heat-water combination.

Exteriorly it is perceived as a single body, stylistically coordinated in detail, although on closer inspection it is two wellness souls:

So, Zen Combi combines a shower and steam bath with wooden bench and shelves and a sauna with a corner entrance: all surfaces are similar on both sides; a kind of mini-spa can easily be placed in a home environment

STYLE DETAILS



TECHNICAL FEATURES ZEN COMBI

SAUNA + HAMMAM

GLASS FINISH



Transparent tempered glass "F"

PROFILE FINISHES



Matt White Aluminum "E"



Matt Black Aluminum "Z"

INTERNAL COATING



Wood Hemlock "E"



Classic Fir "Z"



Canaletto walnut "E"

SITTING SAUNA



Ayous wood

SITTING HAMMAM



Wood Ash heat treated

COVER AND TECHNICAL DOOR



White "E"



Black "Z"



Taps in matt black finish

CUSTOM SIZE	width max. 2900 mm
	depth max. 1200 mm
	height max. 2142 mm
STANDARD DIMENSIONS	2000x1000 mm
	2400x1200 mm
	2900x1200 mm
STANDARD HEIGHT	h. 2.142 mm
GLASS THICKNESS	6/8 mm HAMMAM - 8 mm SAUNA
HANDLE SAUNA	wood/aluminum h. 580 mm
HANDLE HAMMAM	aluminum h. 580 mm
POWER SUPPLY SAUNA	220-380V - Specify before the order
POWER SUPPLY HAMMAM	220V Single-phase
LIGHTING	Strip Led RGB
PROTECTIVE TREATMENT	included
SHOWER TRAY HAMMAM	included
SITTING HAMMAM	included
SITTING SAUNA	included
WOODEN SHELVES	n°1/6 included
DELIVERY TIME	5-6 weeks

FEATURES/COMPONENTS HAMMAM

built-in shower head size 25x25cm
 3 back jets
 waterfall
 hand shower
 thermostatic mixer
 4-way mechanical diverter
 inspectional technical door
 steam generator
 seat and shelves in Iroko wood
 chromotherapy with n°1 LED strip on the ceiling

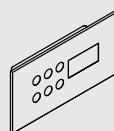
SAUNA FEATURES/COMPONENTS

Electric stove with lava stone, with integrated control ignition
 LED light under the bench
 Hourglass with sand for 15 minutes time duration.
 Thermo-hygrometer for monitoring temperature and humidity inside the sauna.
 Wooden tub and ladle.
 Opening system with HINGED door
 Removable wooden floor slats



HOME AUTOMATION CONNECTION PRE-SETUP:

The **sauna y hammam** can be integrated with compatible home automation systems, thanks to the pre-configured electronic board. This allows you to control the heater's on and off functions directly through the system, offering advanced comfort and convenience.

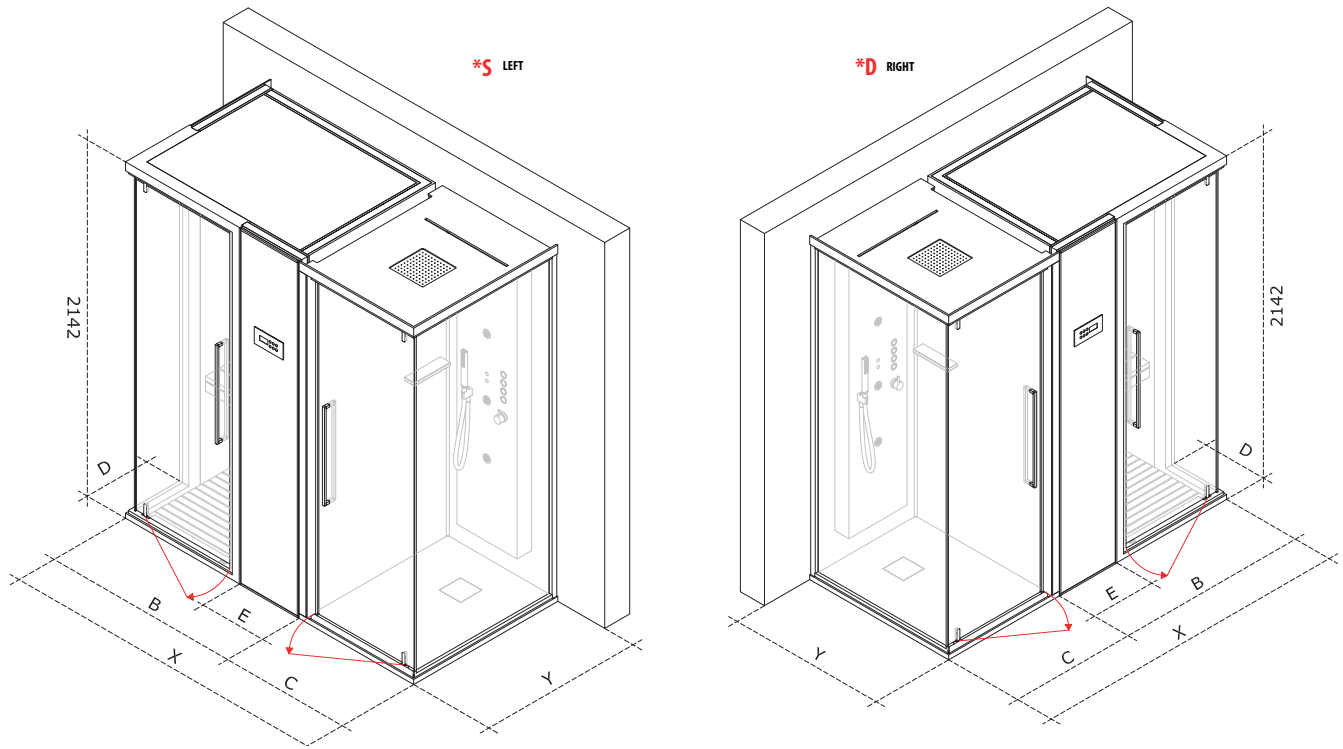


The new Touch Display allows you to combine and manage the various functions between sauna and hammam synergistically across products, as well as control the turning on and off of interior lights. Available in two colors: white and black.

ZEN COMBI DUO LINEAR

TECHNICAL DRAWINGS

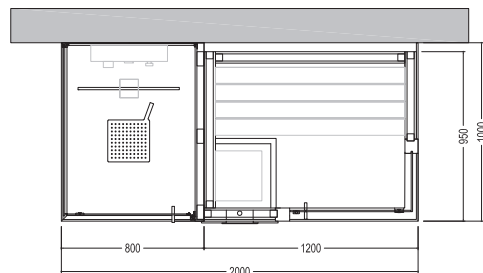
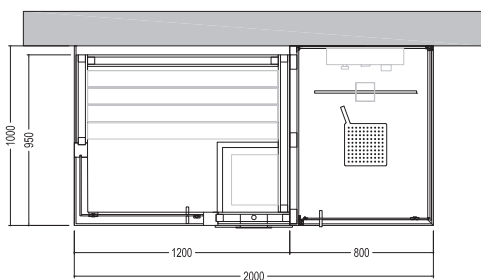
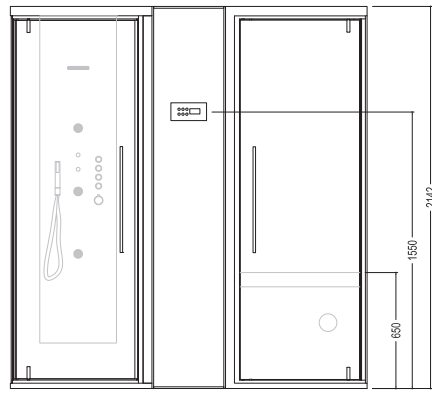
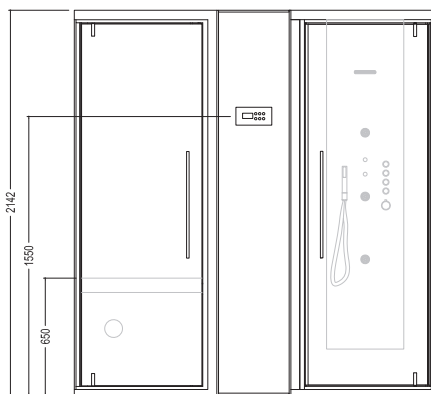
2000x1000



(X x Y) mm	(A1) mm	(A2) mm	(B) mm	(C) mm	(D) mm	(E) mm	SAUNA kW	HAMMAM kW
2000x1000	600	600	1200x950	750x1000	380	530	4,5	2,5

LEFT

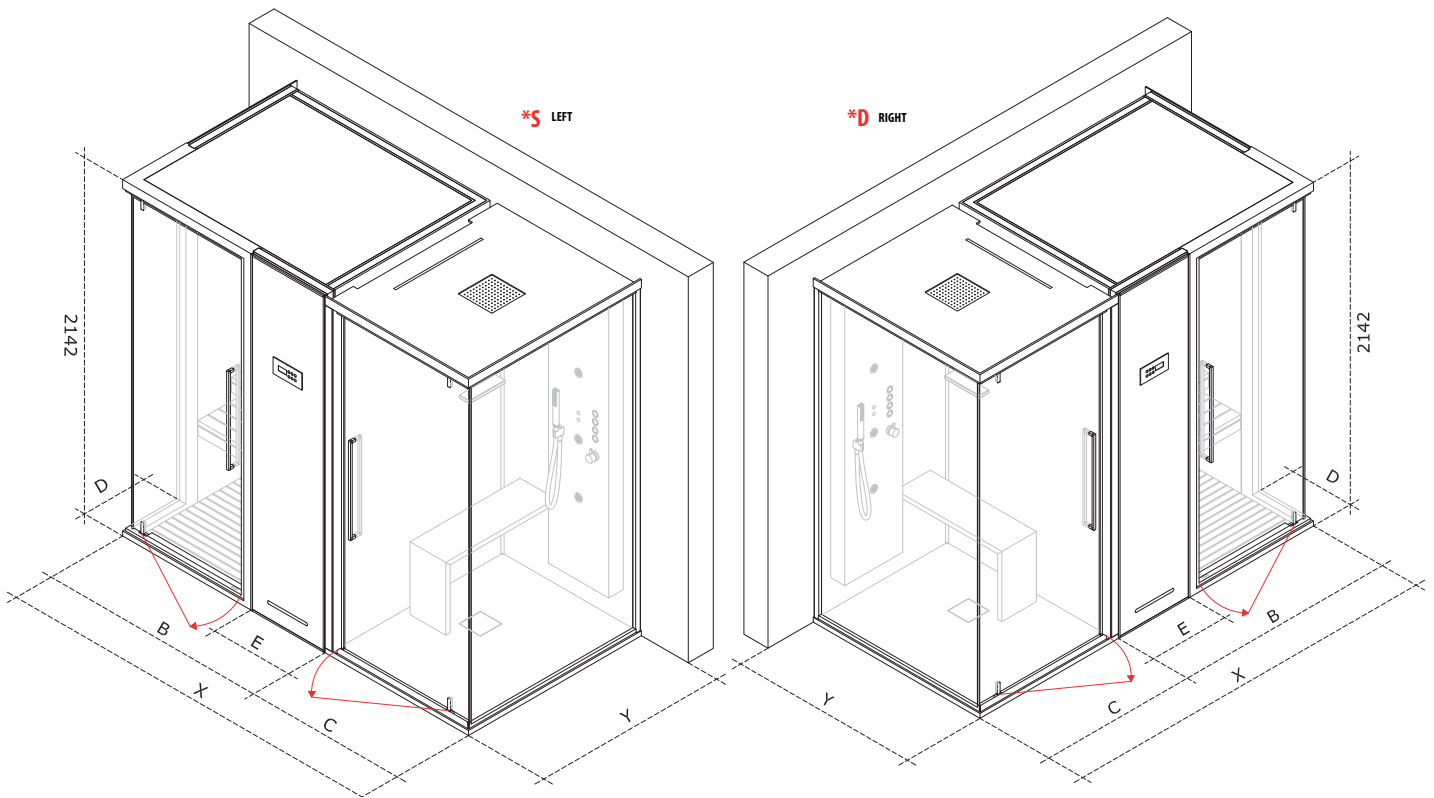
RIGHT



*The new buttons on the column will be available from 05/2025.

TECHNICAL DRAWINGS

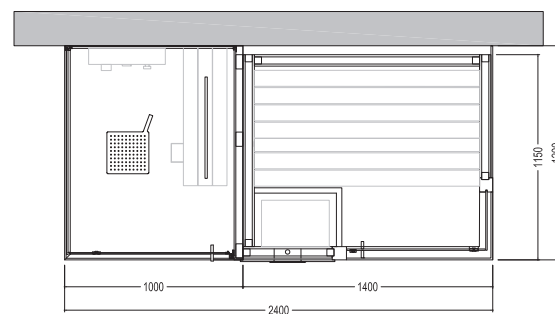
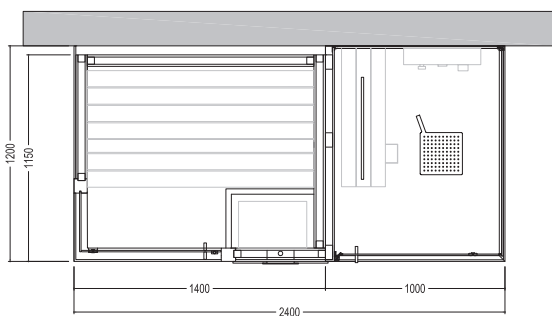
2400x1200



(X x Y) mm	(A1) mm	(A2) mm	(B) mm	(C) mm	(D) mm	(E) mm	SAUNA kW	HAMMAM kW
2400x1200	700	700	1400x1150	950x1200	380	630	6	3,5

LEFT

RIGHT

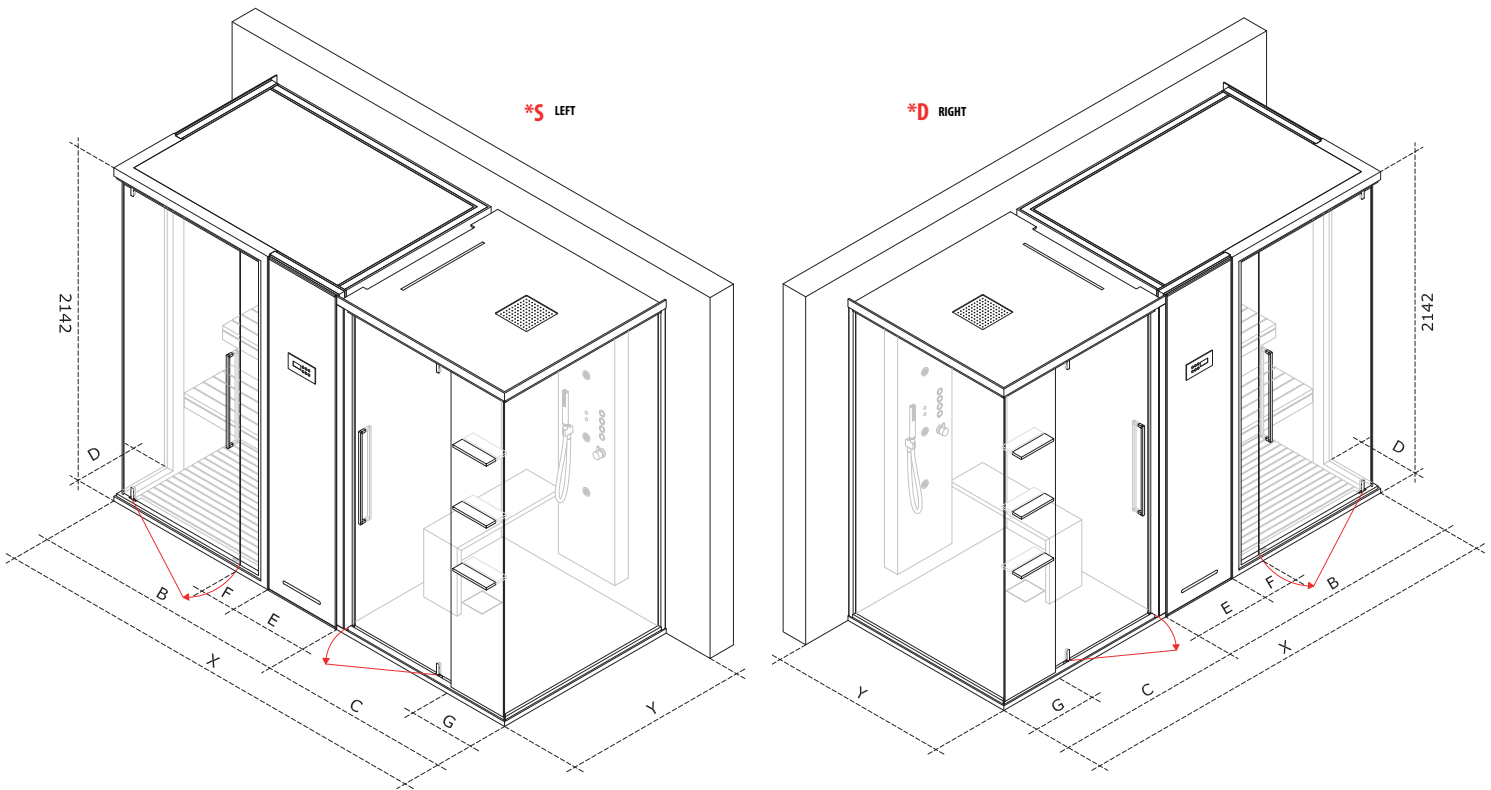


*The new buttons on the column will be available from 05/2025.

ZEN COMBI DUO LINEAR

TECHNICAL DRAWINGS

2900x1200

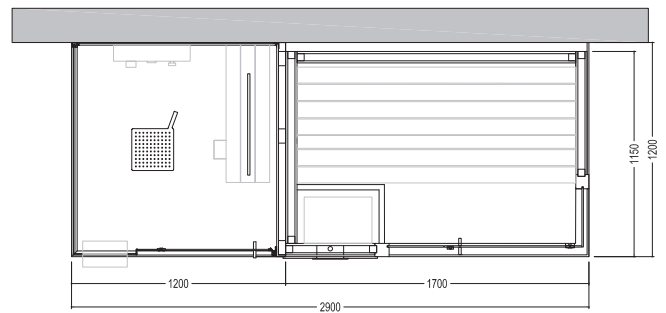
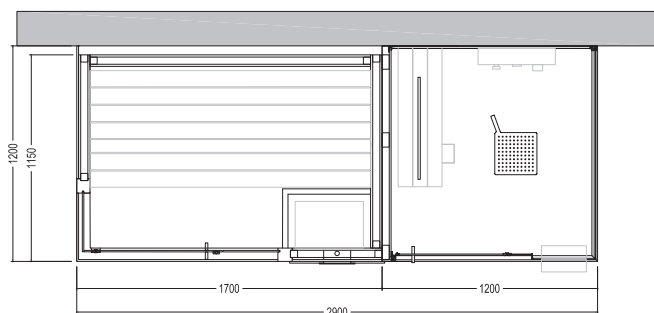
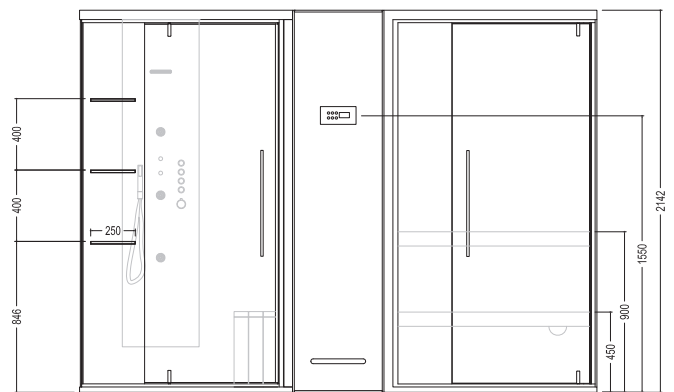


(XxY) mm	(A1) mm	(A2) mm	(B) mm	(C) mm	(D) mm	(E) mm	(F) mm	(G) mm	SAUNA kW	HAMMAM kW
2900x1200	700	600	1700x1150	1150x1200	380	630	300	360	6	3,5

LEFT



RIGHT



*The new buttons on the column will be available from 05/2025.

GLASS FINISH



Transparent tempered glass "F"

INTERNAL COATING



Classic Fir "Z"



Wood Hemlock "E"



Canaletto walnut "Q"

SITTING SAUNA



Ayous wood

SITTING HAMMAM



Wood Ash heat treated

COVER AND TECHNICAL DOOR



White "E"



Black "Z"

PROFILE FINISHES



Matt White Aluminum "E"



Matt Black Aluminum "Z"

MEASURE					kW		COVER AND TECHNICAL DOOR		
COMBI	SAUNA	HAMMAM	S.	H.	CODE	INTERNAL COATING	WHITE - E	BLACK - Z	DELIVERY
2000x1000	1200x950	750x1000	4,5	2,5	ZCDP210*/Z_AF	FIR CLASSIC	22.900	22.900	5-6 weeks
					ZCDP210*/E_AF	HEMLOCK	26.100	26.100	5-6 weeks
					ZCDP210*/Q_AF	CANALETTO WALNUT	26.600	26.600	5-6 weeks
2400x1200	1400x1150	950x1200	6	3,5	ZCDP241*/Z_AF	FIR CLASSIC	25.500	25.500	5-6 weeks
					ZCDP241*/E_AF	HEMLOCK	29.000	29.000	5-6 weeks
					ZCDP241*/Q_AF	CANALETTO WALNUT	29.600	29.600	5-6 weeks
2900x1200	1700x1150	1150x1200	6	3,5	ZCDP291*/Z_AF	FIR CLASSIC	26.900	26.900	5-6 weeks
					ZCDP291*/E_AF	HEMLOCK	30.500	30.500	5-6 weeks
					ZCDP291*/Q_AF	CANALETTO WALNUT	31.100	31.100	5-6 weeks

SAUNA CUSTOMIZED SIZE:

Width min. 1200 mm - depth min. 1000 mm - height min. 2050 mm
Width max. 2000 mm - depth max. 1200 mm - height max. 2200 mm

HAMMAM CUSTOMIZED SIZE:

Width min. 800 mm - depth min. 1000 mm - height min. 2050 mm
Width max. 1200 mm - depth max. 1200 mm - height max. 2200 mm

- For intermediate special sizes consider the price of the next larger size + 5%
- For special measures higher feasibility and price on request

FEATURES/COMPONENTS HAMMAM

built-in shower head size 25x25cm
3 back jets
waterfall
hand shower
thermostatic mixer
4-way mechanical diverter
inspectional technical door
steam generator
seat and shelves in Iroko wood
chromotherapy with n°1 LED strip on the ceiling

SAUNA FEATURES/COMPONENTS

Electric stove with lava stone, with integrated control ignition
LED light under the bench
Hourglass with sand for 15 minutes time duration.
Thermo-hygrometer for monitoring temperature and humidity inside the sauna.
Wooden tub and ladle.
Opening system with HINGED door
Removable wooden floor slats

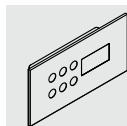
EMERGENCY BUTTON

AWZS05	500
--------	-----

STANDARD HEIGHT	h. 2142 mm
GLASS THICKNESS	6/8 mm HAMMAM - 8 mm SAUNA
HANDLE SAUNA	wood/aluminum h. 580 mm
HANDLE HAMMAM	aluminum h. 580 mm
POWER SUPPLY SAUNA	220-380V - Specify before the order
POWER SUPPLY HAMMAM	220V Single-phase
LIGHTING	Strip Led RGB

EQUIPMENTS	code	buttons in satin silver finish	buttons in matte black finish	black faucets	music therapy system	
Easy control 2	"B"	■				+ 900
Easy control 2 BLACK	"Y"		■			+ 1.000
Wellness	"R"	■			■	+ 2.300
Idro Wellness BLACK	"S"		■	■	■	+ 2.600
Black	"H"			■		+ 1.100
Music	"I"				■	+ 1.300
Music BLACK	"Q"			■	■	+ 2.300

Replace "A" with the corresponding code for the chosen equipments.



The new Touch Display allows you to combine and manage the various functions between sauna and hammam synergistically across products, as well as control the turning on and off of interior lights. Available in two colors: white and black.

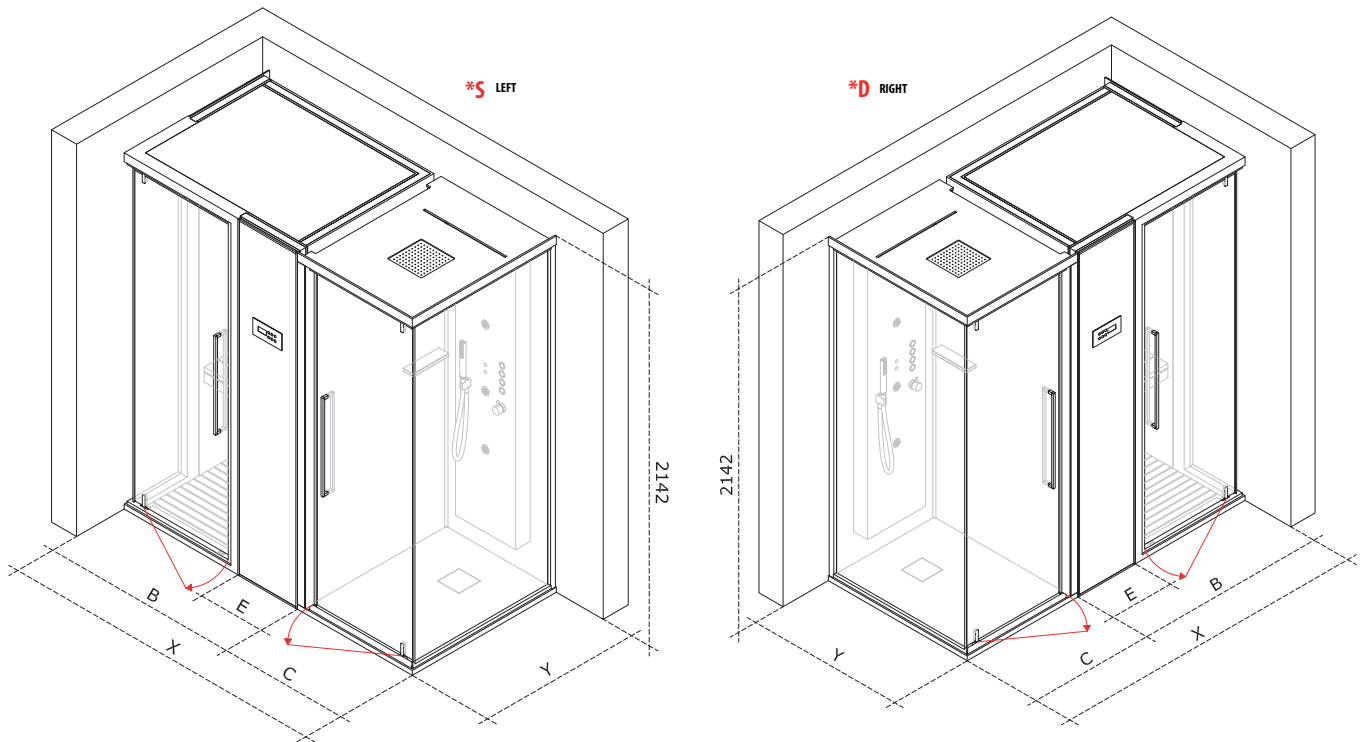
PROTECTIVE TREATMENT	included
SHOWER TRAY HAMMAM	included
SITTING HAMMAM	included (2400x1200 / 2900x1200)
SITTING SAUNA	included
WOODEN SHELVES	n°1/6 included

For special solutions and assembling ask for feasibility

ZEN COMBI DUO LINEAR

TECHNICAL DRAWINGS

2000x1000

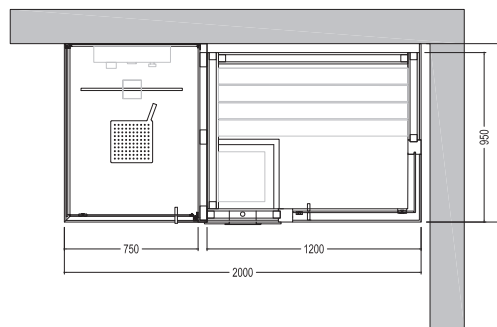
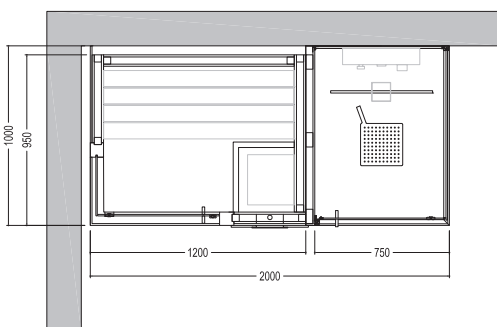
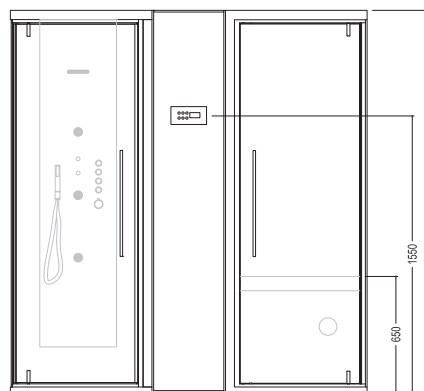
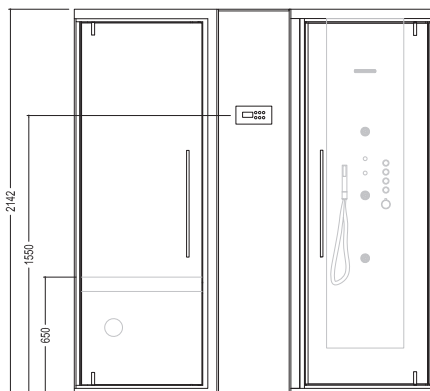


(X x Y) mm	(A1) mm	(A2) mm	(B) mm	(C) mm	(D) mm	(E) mm	SAUNA kW	HAMMAM kW
2000x1000	600	600	1200x950	750x1000	380	530	4,5	2,5

The side glass resting against the wall will have a back-painted finish.

LEFT

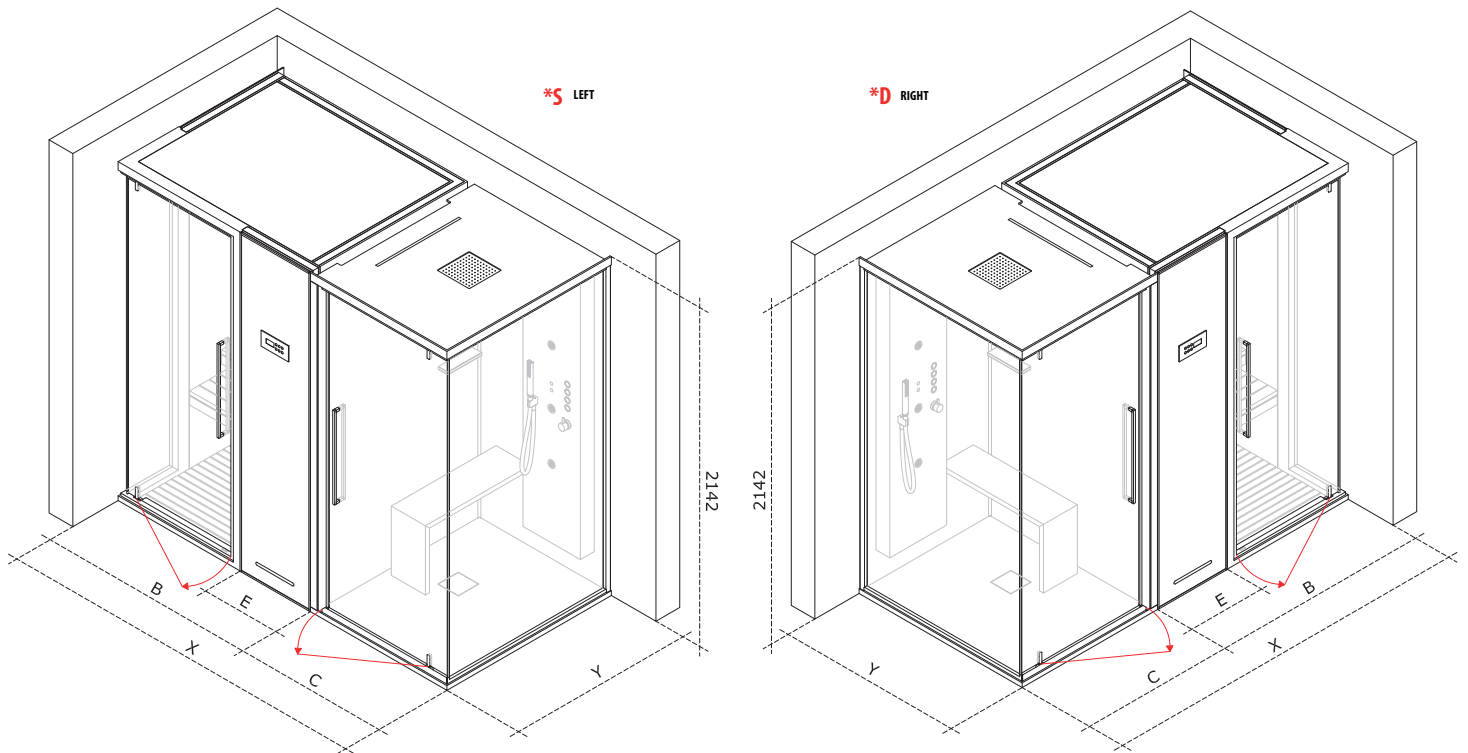
RIGHT



*The new buttons on the column will be available from 05/2025.

TECHNICAL DRAWINGS

2400x1200

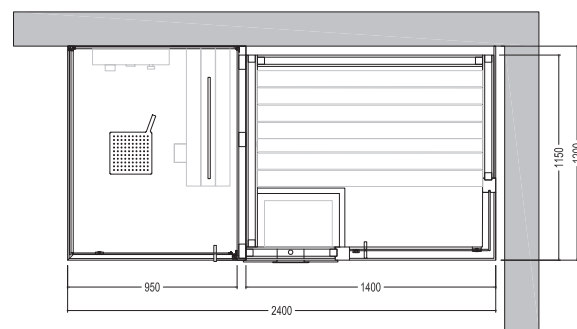
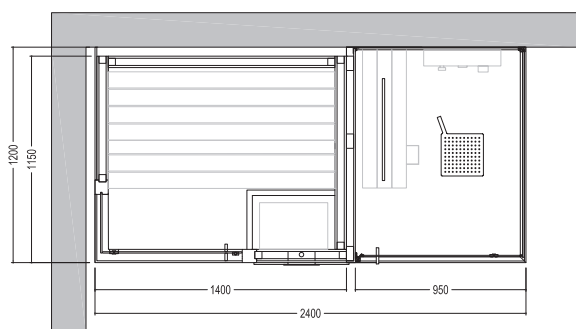
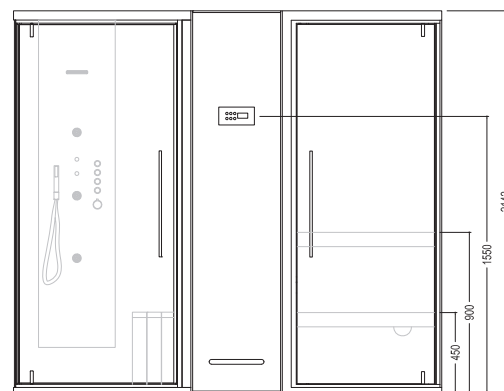


(X x Y) mm	(A1) mm	(A2) mm	(B) mm	(C) mm	(D) mm	(E) mm	SAUNA kW	HAMMAM kW
2400x1200	700	700	1400x1150	950x1200	380	630	6	3,5

The side glass resting against the wall will have a back-painted finish.

LEFT

RIGHT

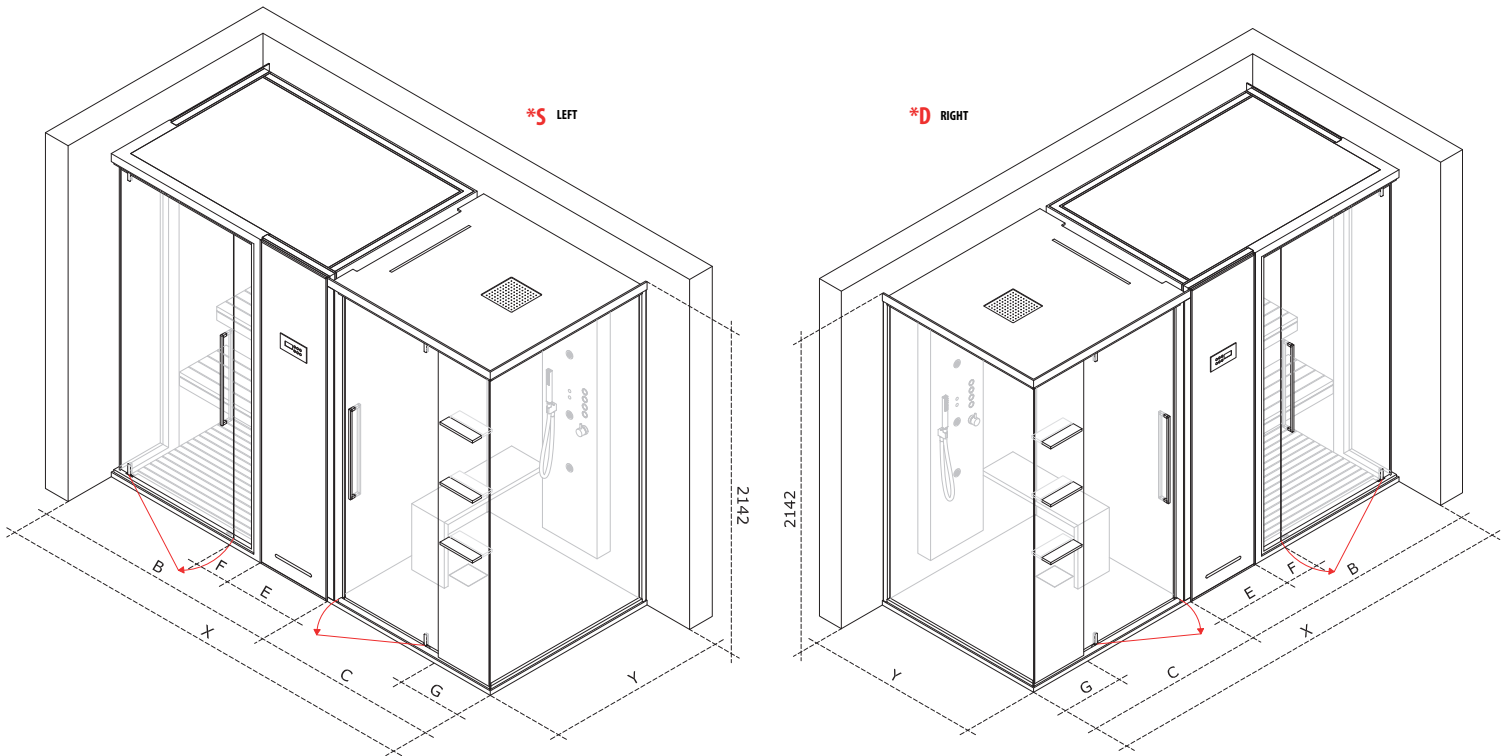


*The new buttons on the column will be available from 05/2025.

ZEN COMBI DUO LINEAR

TECHNICAL DRAWINGS

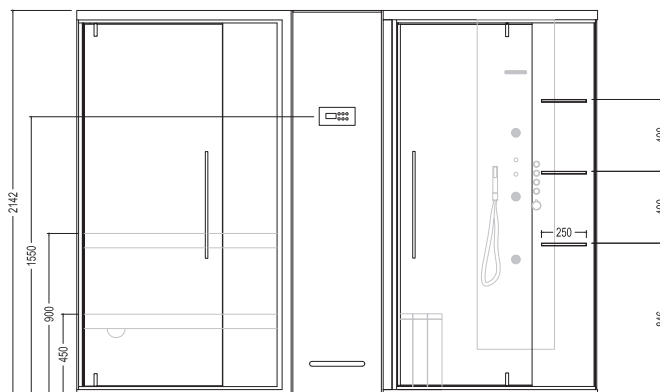
2900x1200



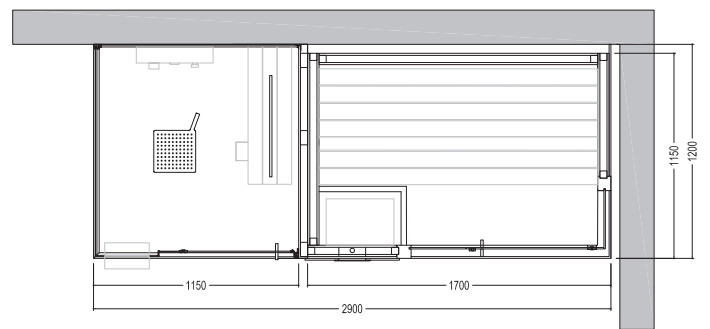
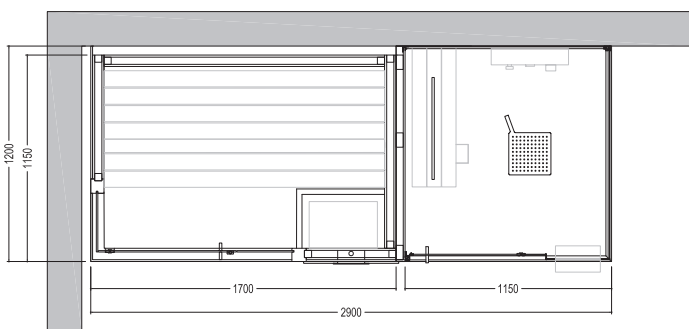
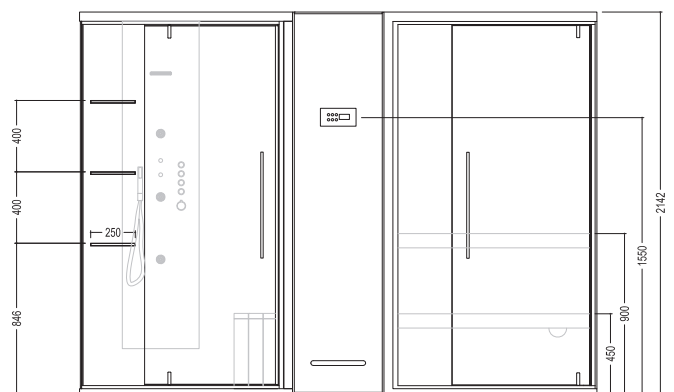
(XxY) mm	(A1) mm	(A2) mm	(B) mm	(C) mm	(D) mm	(E) mm	(F) mm	(G) mm	SAUNA kW	HAMMAM kW
2900x1200	700	600	1150x1200	1150x1200	380	630	300	360	6	3,5

The side glass resting against the wall will have a back-painted finish.

LEFT



RIGHT



*The new buttons on the column will be available from 05/2025.

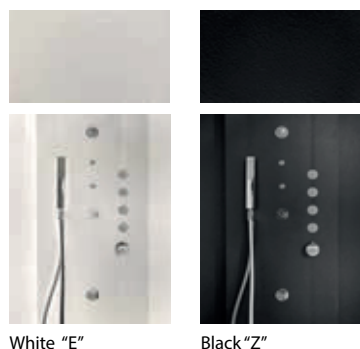
GLASS FINISH



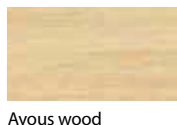
INTERNAL COATING



COVER AND TECHNICAL DOOR



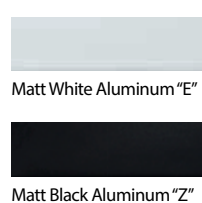
SITTING SAUNA



SITTING HAMMAM



PROFILE FINISHES



MEASURE		kW			COVER AND TECHNICAL DOOR				
COMBI	SAUNA	HAMMAM	S.	H.	CODE	INTERNAL COATING	WHITE - E	BLACK - Z	DELIVERY
2000x1000	1200x950	750x1000	4,5	2,5	ZCDA210*/Z_AF	FIR CLASSIC	23.100	23.100	5-6 weeks
					ZCDA210*/E_AF	HEMLOCK	26.300	26.300	5-6 weeks
					ZCDA210*/Q_AF	CANALETTO WALNUT	26.800	26.800	5-6 weeks
2400x1200	1400x1150	950x1200	6	3,5	ZCDA241*/Z_AF	FIR CLASSIC	25.700	25.700	5-6 weeks
					ZCDA241*/E_AF	HEMLOCK	29.200	29.200	5-6 weeks
					ZCDA241*/Q_AF	CANALETTO WALNUT	29.800	29.800	5-6 weeks
2900x1200	1700x1150	1150x1200	6	3,5	ZCDA291*/Z_AF	FIR CLASSIC	27.100	27.100	5-6 weeks
					ZCDA291*/E_AF	HEMLOCK	30.700	30.700	5-6 weeks
					ZCDA291*/Q_AF	CANALETTO WALNUT	31.300	31.300	5-6 weeks

SAUNA CUSTOMIZED SIZE:

Width min. 1200 mm - depth min. 1000 mm - height min. 2050 mm
 Width max. 2000 mm - depth max. 1200 mm - height max. 2200 mm

HAMMAM CUSTOMIZED SIZE:

Width min. 800 mm - depth min. 1000 mm - height min. 2050 mm
 Width max. 1200 mm - depth max. 1200 mm - height max. 2200 mm

- For intermediate special sizes consider the price of the next larger size + 5%
- For special measures higher feasibility and price on request

FEATURES/COMPONENTS HAMMAM

built-in shower head size 25x25cm
 3 back jets
 waterfall
 hand shower
 thermostatic mixer
 4-way mechanical diverter
 inspectional technical door
 steam generator
 seat and shelves in Iroko wood
 chromotherapy with n°1 LED strip on the ceiling

SAUNA FEATURES/COMPONENTS

Electric stove with lava stone, with integrated control ignition
 LED light under the bench
 Hourglass with sand for 15 minutes time duration.
 Thermo-hygrometer for monitoring temperature and humidity inside the sauna.
 Wooden tub and ladle.
 Opening system with HINGED door
 Removable wooden floor slats

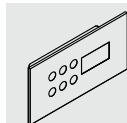
EMERGENCY BUTTON

AWZS05	500
--------	-----

STANDARD HEIGHT	h. 2142 mm
GLASS THICKNESS	6/8 mm HAMMAM - 8 mm SAUNA
HANDLE SAUNA	wood/aluminum h. 580 mm
HANDLE HAMMAM	aluminum h. 580 mm
POWER SUPPLY SAUNA	220-380V - Specify before the order
POWER SUPPLY HAMMAM	220V Single-phase
LIGHTING	Strip Led RGB

EQUIPMENTS	code	buttons in satin silver finish	buttons in matte black finish	black faucets	music therapy system	
Easy control 2	"B"	■				+ 900
Easy control 2 BLACK	"Y"		■			+ 1.000
Wellness	"R"	■			■	+ 2.300
Idro Wellness BLACK	"S"		■	■	■	+ 2.600
Black	"H"			■		+ 1.100
Music	"I"				■	+ 1.300
Music BLACK	"Q"			■	■	+ 2.300

Replace "A" with the corresponding code for the chosen equipments.



The new Touch Display allows you to combine and manage the various functions between sauna and hammam synergistically across products, as well as control the turning on and off of interior lights. Available in two colors: white and black.

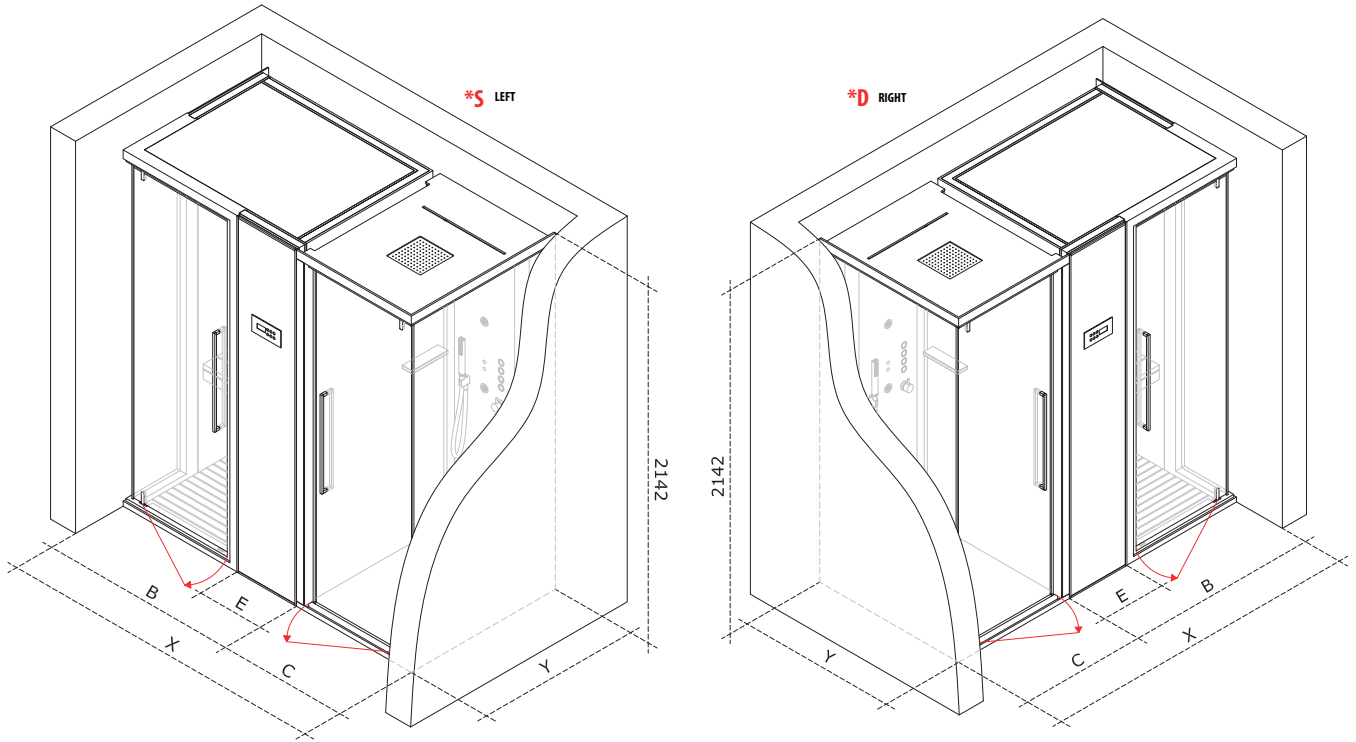
PROTECTIVE TREATMENT	included
SHOWER TRAY HAMMAM	included
SITTING HAMMAM	included (2400x1200 / 2900x1200)
SITTING SAUNA	included
WOODEN SHELVES	n°6 included

For special solutions and assembling ask for feasibility

ZEN COMBI DUO LINEAR

TECHNICAL DRAWINGS

2000x1000

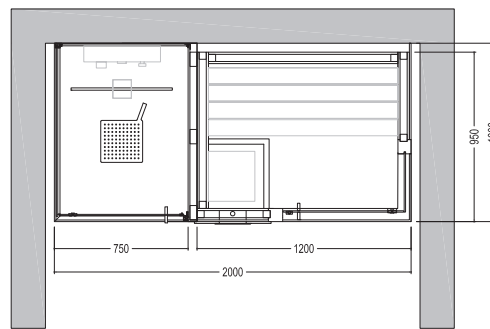
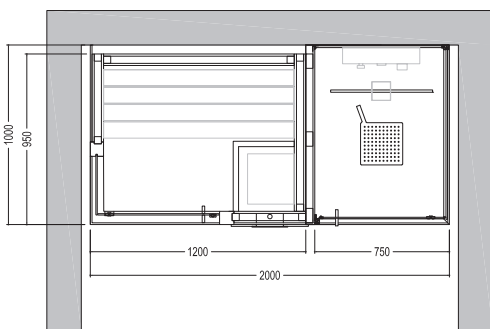
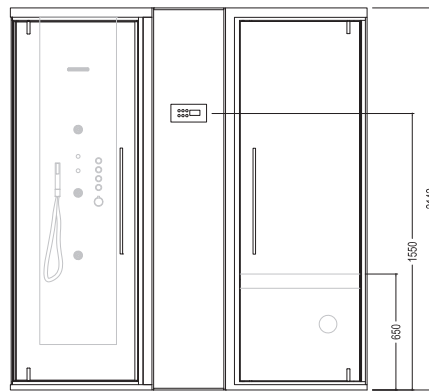
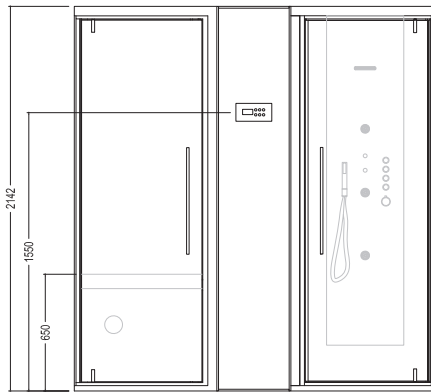


(X x Y) mm	(A1) mm	(A2) mm	(B) mm	(C) mm	(D) mm	(E) mm	SAUNA kW	HAMMAM kW
2000x1000	600	600	1200x950	750x1000	380	530	4,5	2,5

The side glasses resting against the walls will have a back-painted finish.

LEFT

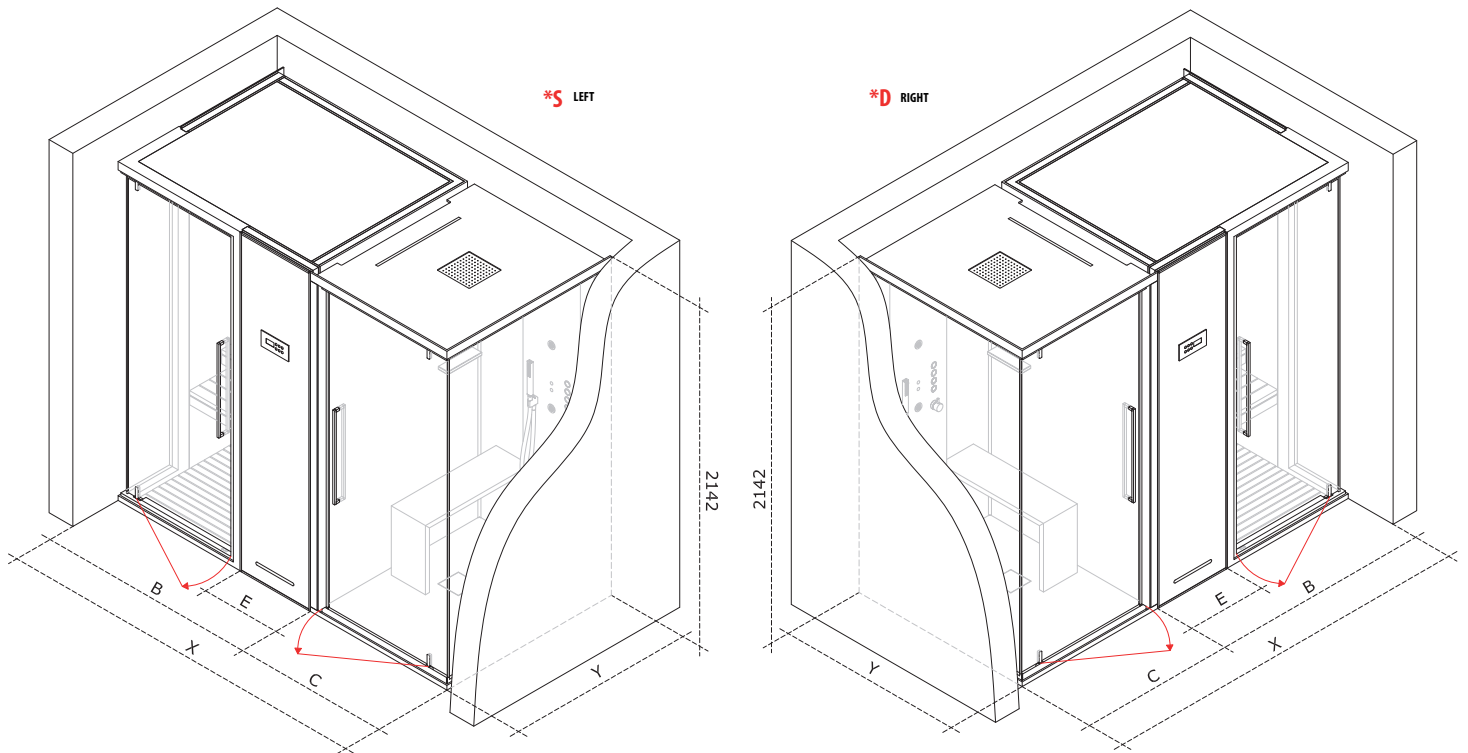
RIGHT



*The new buttons on the column will be available from 05/2025.

TECHNICAL DRAWINGS

2400x1200

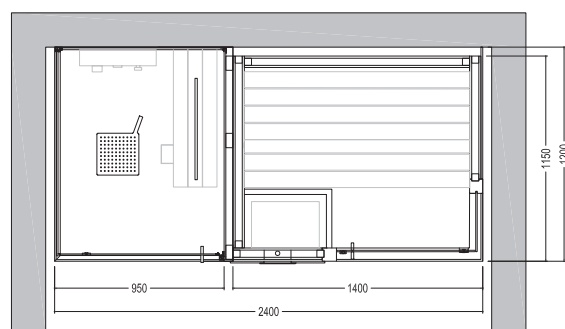
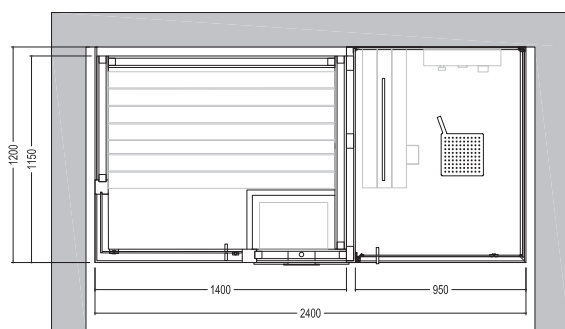
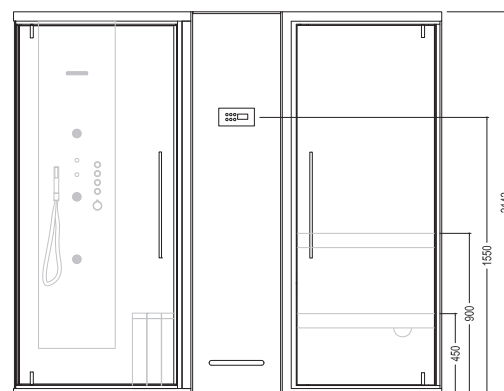
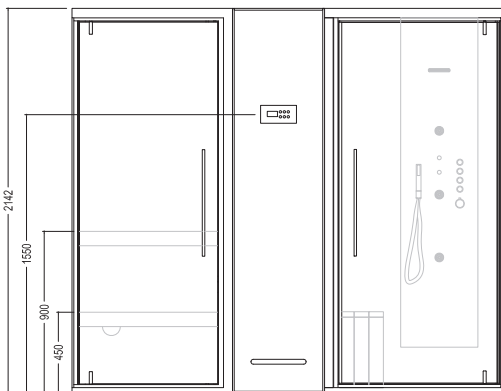


(X x Y) mm	(A1) mm	(A2) mm	(B) mm	(C) mm	(D) mm	(E) mm	SAUNA kW	HAMMAM kW
2400x1200	700	700	1400x1150	950x1200	380	630	6 kW	3,5

The side glasses resting against the walls will have a back-painted finish.

LEFT

RIGHT

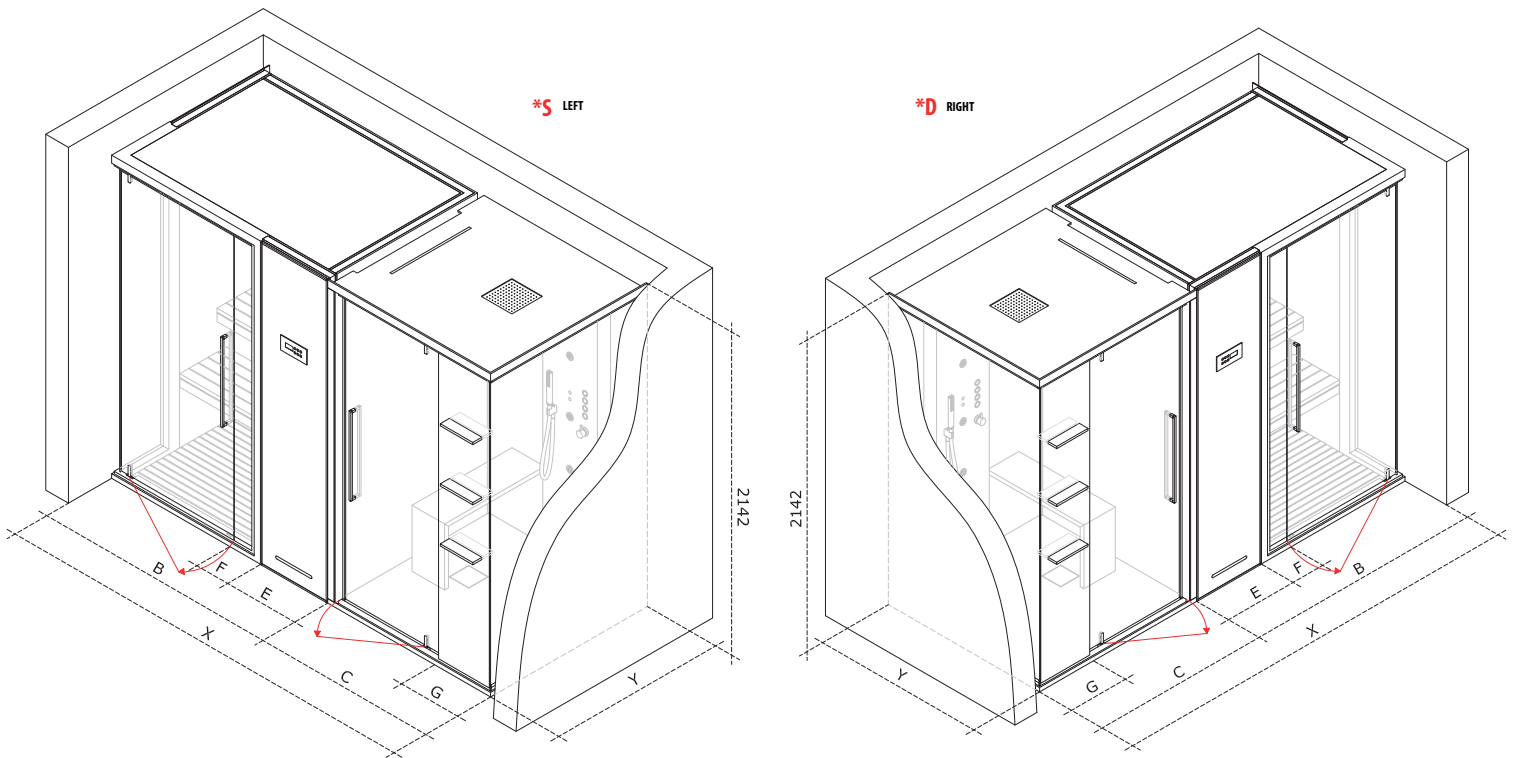


*The new buttons on the column will be available from 05/2025.

ZEN COMBI DUO LINEAR

TECHNICAL DRAWINGS

2900x1200



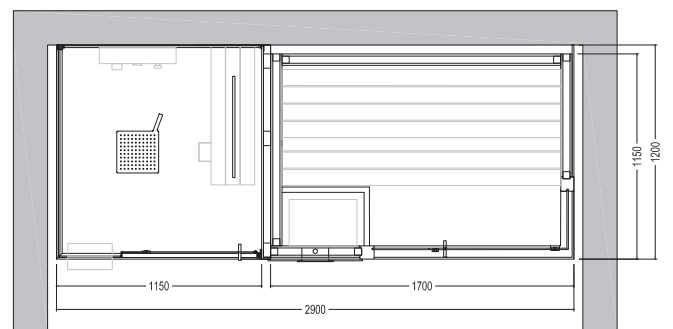
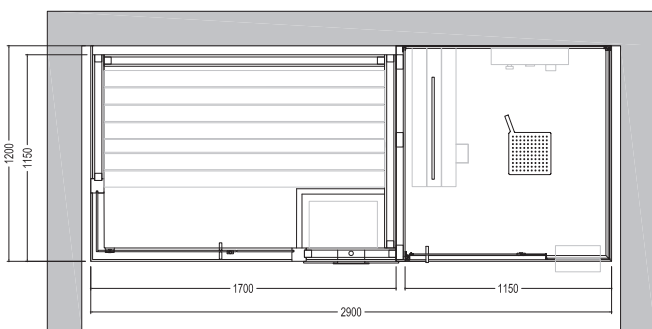
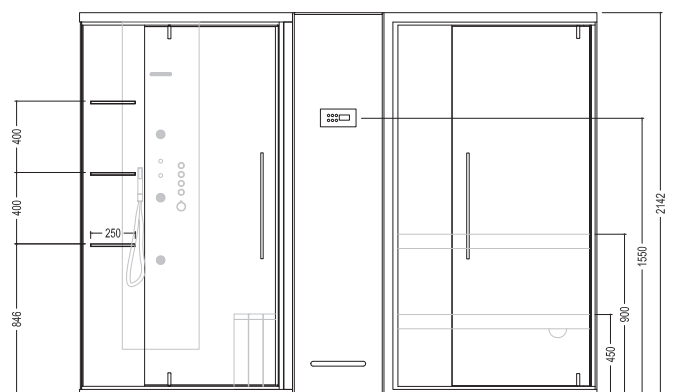
(XxY) mm	(A1) mm	(A2) mm	(B) mm	(C) mm	(D) mm	(E) mm	(F) mm	(G) mm	SAUNA kW	HAMMAM kW
2900x1200	700	600	1150x1200	1150x1200	380	630	300	360	6	3,5

The side glasses resting against the walls will have a back-painted finish.

LEFT



RIGHT



*The new buttons on the column will be available from 05/2025.

GLASS FINISH



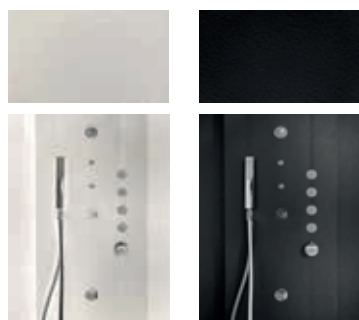
Transparent tempered glass "F" Black back-painted glass "Z" White back-painted glass "1"

INTERNAL COATING



Classic Fir "Z" Wood Hemlock "E" Canaletto walnut "Q"

COVER AND TECHNICAL DOOR



White "E" Black "Z"

SITTING SAUNA



Ayoux wood

SITTING HAMMAM



Wood Ash heat treated

PROFILE FINISHES



Matt White Aluminum "E"



Matt Black Aluminum "Z"

MEASURE		kW			COVER AND TECHNICAL DOOR				
COMBI	SAUNA	HAMMAM	S.	H.	CODE	INTERNAL COATING	WHITE - E	BLACK - Z	DELIVERY
2000x1000	1200x950	750x1000	4,5	2,5	ZCDN210*/Z_AF	FIR CLASSIC	23.300	23.300	5-6 weeks
					ZCDN210*/E_AF	HEMLOCK	26.500	26.500	5-6 weeks
					ZCDN210*/Q_AF	CANALETTO WALNUT	27.000	27.000	5-6 weeks
2400x1200	1400x1150	950x1200	6	3,5	ZCDN241*/Z_AF	FIR CLASSIC	25.900	25.900	5-6 weeks
					ZCDN241*/E_AF	HEMLOCK	29.400	29.400	5-6 weeks
					ZCDN241*/Q_AF	CANALETTO WALNUT	30.000	30.000	5-6 weeks
2900x1200	1700x1150	1150x1200	6	3,5	ZCDN291*/Z_AF	FIR CLASSIC	27.300	27.300	5-6 weeks
					ZCDN291*/E_AF	HEMLOCK	30.900	30.900	5-6 weeks
					ZCDN291*/Q_AF	CANALETTO WALNUT	31.500	31.500	5-6 weeks

SAUNA CUSTOMIZED SIZE:

Width min. 1200 mm - depth min. 1000 mm - height min. 2050 mm
Width max. 2000 mm - depth max. 1200 mm - height max. 2200 mm

HAMMAM CUSTOMIZED SIZE:

Width min. 800 mm - depth min. 1000 mm - height min. 2050 mm
Width max. 1200 mm - depth max. 1200 mm - height max. 2200 mm

- For intermediate special sizes consider the price of the next larger size + 5%
- For special measures higher feasibility and price on request

FEATURES/COMPONENTS HAMMAM

built-in shower head size 25x25cm
3 back jets
waterfall
hand shower
thermostatic mixer
4-way mechanical diverter
inspectional technical door
steam generator
seat and shelves in Iroko wood
chromotherapy with n°1 LED strip on the ceiling

SAUNA FEATURES/COMPONENTS

Electric stove with lava stone, with integrated control ignition
LED light under the bench
Hourglass with sand for 15 minutes time duration.
Thermo-hygrometer for monitoring temperature and humidity inside the sauna.
Wooden tub and ladle.
Opening system with HINGED door
Removable wooden floor slats

EMERGENCY BUTTON

AWZS05	500
--------	-----

STANDARD HEIGHT	h. 2142 mm
GLASS THICKNESS	6/8 mm HAMMAM - 8 mm SAUNA
HANDLE SAUNA	wood/aluminum h. 580 mm
HANDLE HAMMAM	aluminum h. 580 mm
POWER SUPPLY SAUNA	220-380V - Specify before the order
POWER SUPPLY HAMMAM	220V Single-phase
LIGHTING	Strip Led RGB

EQUIPMENTS	code	buttons in satin silver finish	buttons in matte black finish	black faucets	music therapy system	
Easy control 2	"B"	■				+ 900
Easy control 2 BLACK	"Y"		■			+ 1.000
Wellness	"R"	■			■	+ 2.300
Idro Wellness BLACK	"S"		■	■	■	+ 2.600
Black	"H"			■		+ 1.100
Music	"I"				■	+ 1.300
Music BLACK	"Q"			■	■	+ 2.300

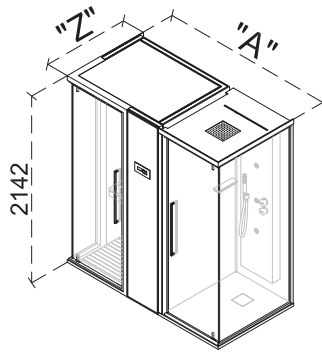
Replace "A" with the corresponding code for the chosen equipments.

The new Touch Display allows you to combine and manage the various functions between sauna and hammam synergistically across products, as well as control the turning on and off of interior lights. Available in two colors: white and black.

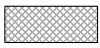
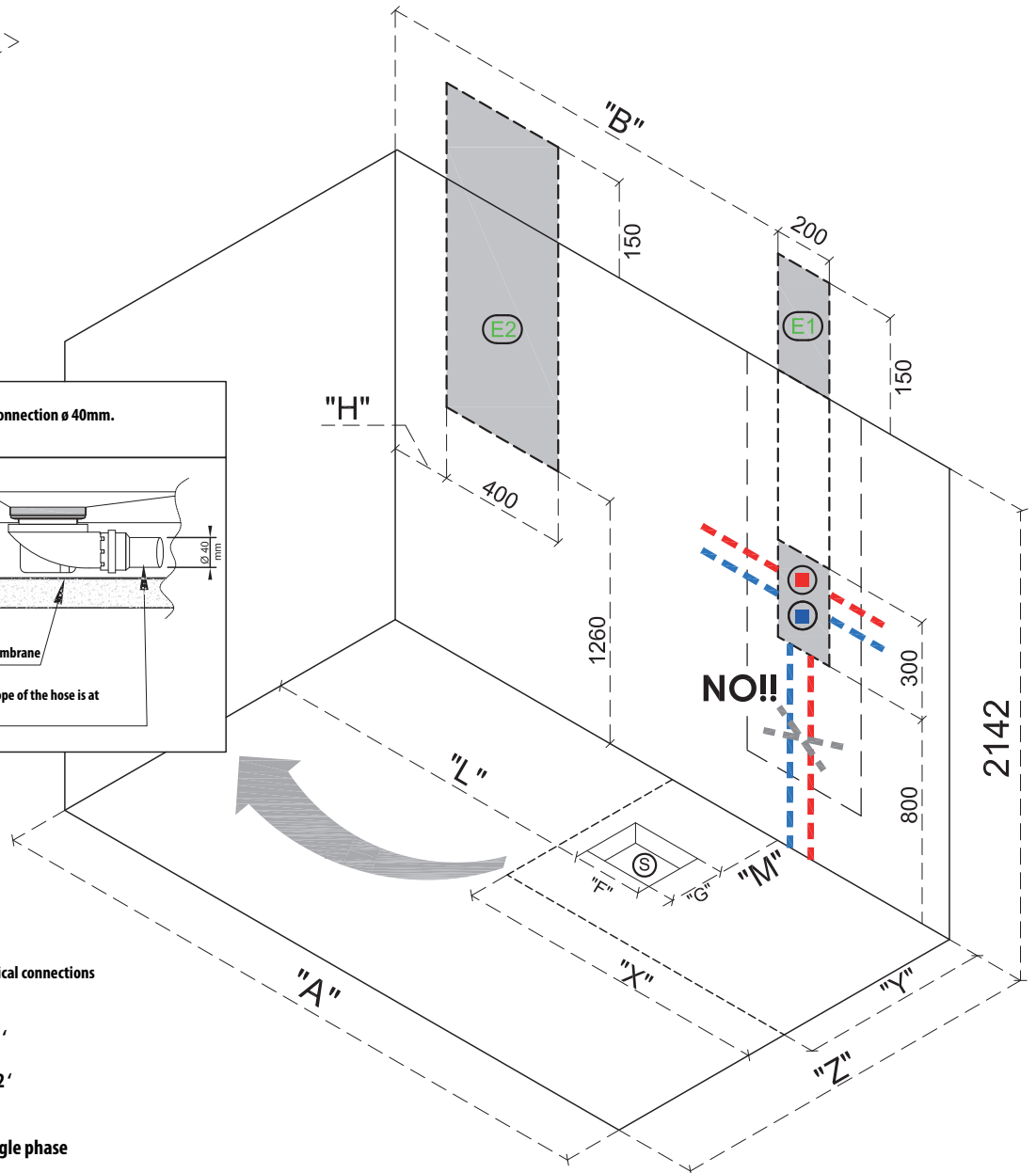
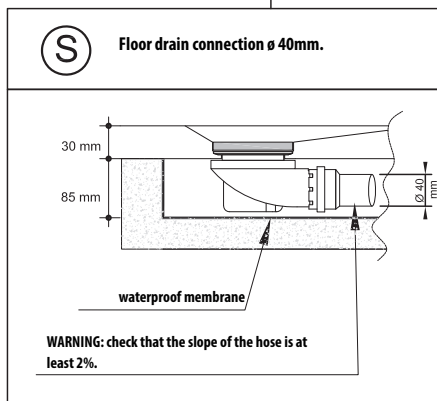
PROTECTIVE TREATMENT	included
SHOWER TRAY HAMMAM	included
SITTING HAMMAM	included (2400x1200 / 2900x1200)
SITTING SAUNA	included
WOODEN SHELVES	n°6 included

For special solutions and assembling ask for feasibility

PRE-INSTALLATION SHEET



"SX"



Fully inspectable area for hydraulic and electrical connections

- Hot water connection for taps 1/2'
- Cold water connection for taps 1/2'
- Power supply 220-240V - 50Hz single phase
- Power supply 220-240 / 380-400 V - 50 Hz single-phase or three-phase

SPECIFY BEFORE THE ORDER



Equipotential bonding: the equipment must be connected to the room's equipotential system and properly secured to the designated terminal on the product.

(A) mm	(Z) mm	(X) mm	(Y) mm	(B) mm	(H) mm	(L) mm	(M) mm	(F) mm	(G) mm	E1 kW	E2 kW
2.000	1.000	800	1.000	1.520	400	1.470	0	300	400	2.50 kW	3.50 kW
2.400	1.200	1.000	1.200	1.950	500	1.500	450	400	300	3.50 kW	4.50 kW
2.900	1.200	1.200	1.200	2.350	650	1.700	450	400	300	3.50 kW	4.50 kW

ELECTRICAL SAFETY

The product assumes that the system to which it is connected and the room in which it is installed meet the safety requirements established by rules and laws, including:

- Have an efficient protection (grounding) circuit.
- Have a high sensitivity differential protection device according to the power of the steam generator.
- Limitation of electrical devices in the zones (zones 0, 1, 2, 3) of the bathrooms and their equipotentiality.
- Prepare a mains disconnector with contact opening <3 mm and characteristics suitable for the nominal sauna data.
- Prepare a suitable connection system with a standard cable according to the installed power.
- Use of electrical equipment certified according to the rules.

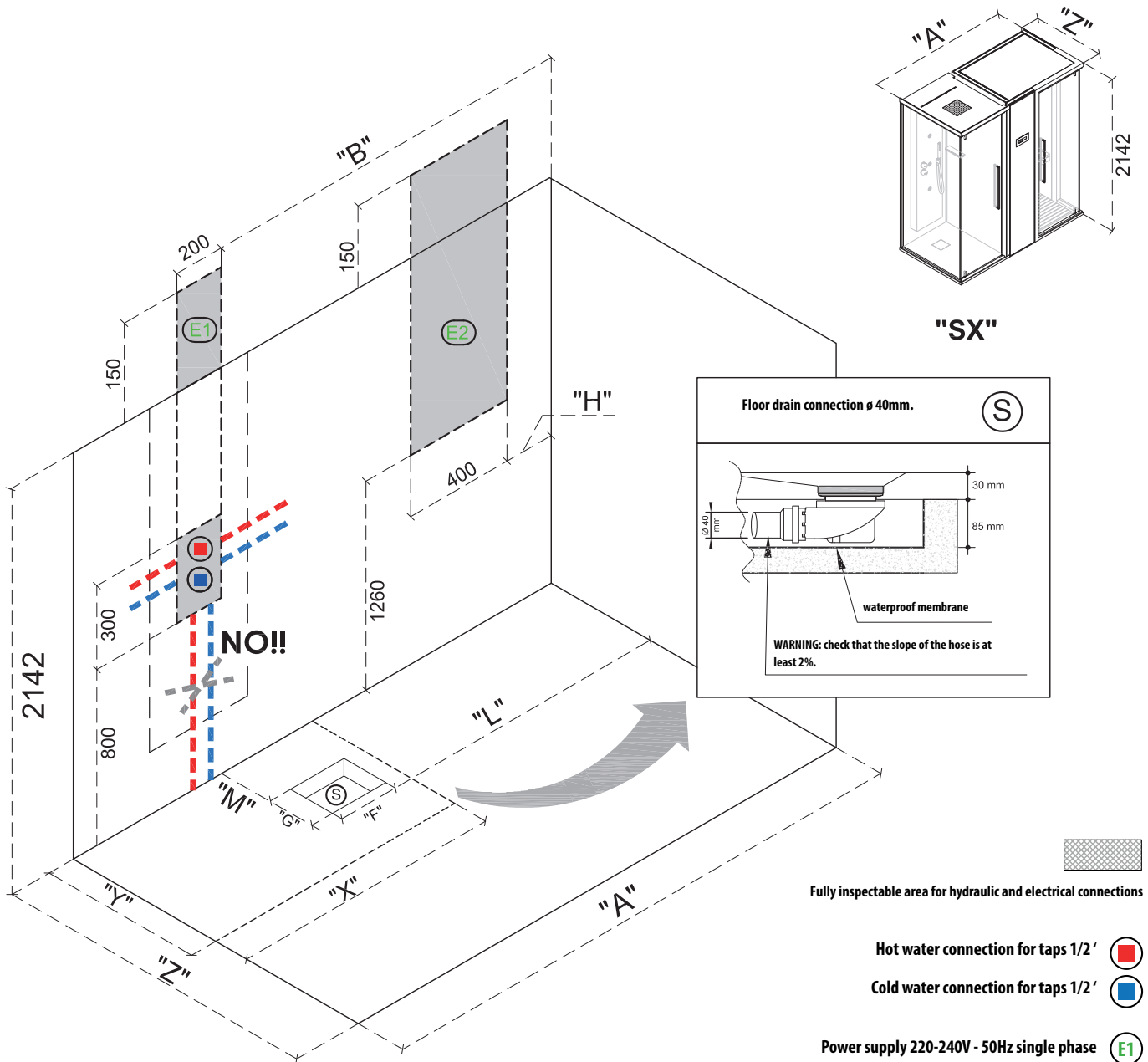
HYDRAULIC SAFETY

Prepare the hot and cold water supply connections and the drain connection. For the correct functioning of the turkish bath and the multifunctional systems the water system must have the following characteristics


- Normal pressure at 3.5 bar.
- Min / Max network pressure from 2 to 5 bar.
- Hot water temperature at 60 °C.
- Minimum water flow 12 l / min

The connection to the water network must be carried out in compliance with the provisions of the law and current regulations also concerning the pollution of water networks.

PRE-INSTALLATION SHEET



ZEN COMBI
DUO LINEAR

 Equipotential bonding: the equipment must be connected to the room's equipotential system and properly secured to the designated terminal on the product.

Power supply 220-240 / 380-400 V - 50 Hz single-phase or three-phase 

SPECIFY BEFORE THE ORDER

(A) mm	(Z) mm	(X) mm	(Y) mm	(B) mm	(H) mm	(L) mm	(M) mm	(F) mm	(G) mm	E1 kW	E2 kW
2.000	1.000	800	1.000	1.520	400	1.470	0	300	400	2.50 kW	3.50 kW
2.400	1.200	1.000	1.200	1.950	500	1.500	450	400	300	3.50 kW	4.50 kW
2.900	1.200	1.200	1.200	2.350	650	1.700	450	400	300	3.50 kW	4.50 kW

ELECTRICAL SAFETY

The product assumes that the system to which it is connected and the room in which it is installed meet the safety requirements established by rules and laws, including:

- Have an efficient protection (grounding) circuit.
- Have a high sensitivity differential protection device according to the power of the steam generator.
- Limitation of electrical devices in the zones (zones 0, 1, 2, 3) of the bathrooms and their equipotentiality.
- Prepare a mains disconnector with contact opening <3 mm and characteristics suitable for the nominal sauna data.
- Prepare a suitable connection system with a standard cable according to the installed power.
- Use of electrical equipment certified according to the rules.

HYDRAULIC SAFETY

Prepare the hot and cold water supply connections and the drain connection. For the correct functioning of the turkish bath and the multifunctional systems the water system must have the following characteristics

- Normal pressure at 3.5 bar.
- Min / Max network pressure from 2 to 5 bar.
- Hot water temperature at 60 °C.
- Minimum water flow 12 l / min

The connection to the water network must be carried out in compliance with the provisions of the law and current regulations also concerning the pollution of water networks.

WELLBOX

HAMMAM

WELLBOX
EASY



WELLBOX
SINGLE



WELLBOX
DOUBLE



WELLBOX
WIDE



WELLBOX
LARGE



Innovating a hinged door hammam cabin is certainly a challenge.

One of the prerogatives of this multifunctional shower enclosure is that it can be installed in the middle of the room. Thanks to the meticulous design and attention to detail and materials, the back of the technical door is fitted with a back-painted glass panel: enhancing the elegance and refinement of the product.

STYLE DETAILS

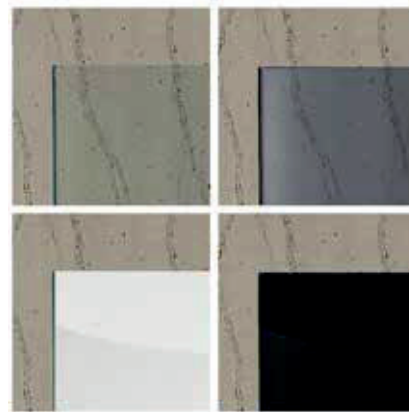
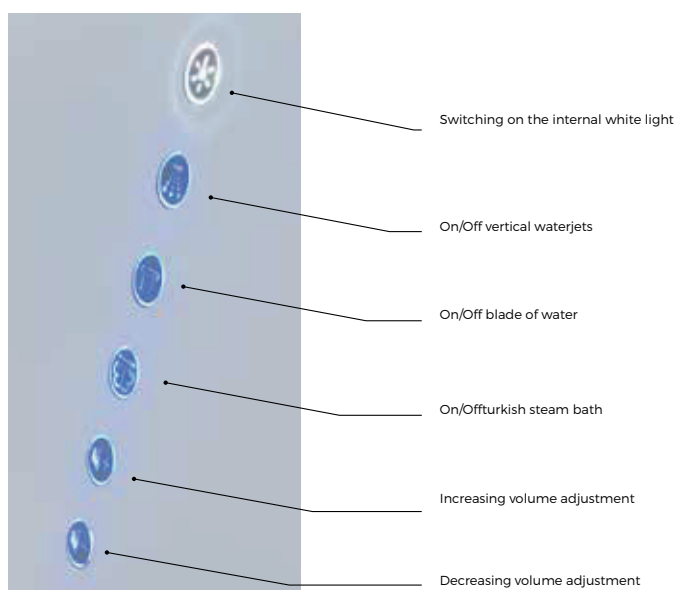


TECHNICAL FEATURES

WELLBOX HAMMAM

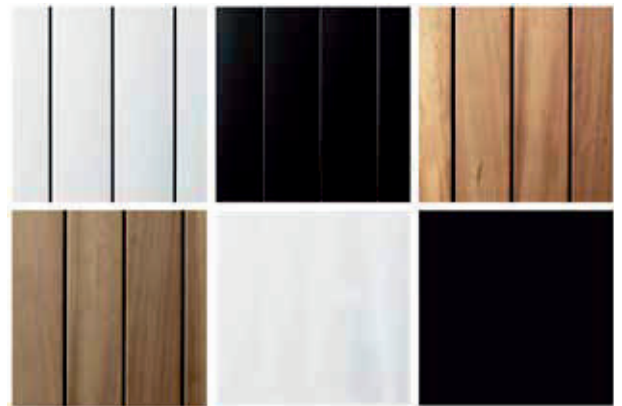
DIMENSIONS EASY	1257x900 mm
	1554x900 mm
DIMENSIONS SINGLE	1257x900 mm
	1554x900 mm
	1653x900 mm
	1950x900 mm
DIMENSIONS DOUBLE	1686x850 mm
	1686x900 mm
	2280x850 mm
	2280x900 mm
DIMENSIONS WIDE	1620x982 mm
	1620x1032 mm
	1818x982 mm
	1818x1032 mm
DIMENSIONS LARGE	1620x1381 mm
	1818x1381 mm
HEIGHT STANDARD	h. 2134 mm
GLASS THICKNESS	8 mm
HANDLE	aluminum
POWER SUPPLY	2,75 kW - 4,4 kW

KEYBOARD PREMIUM



GLASS FINISHES:

WELLBOX uses tempered glass panels in 8 mm thick sheets for doors and walls, in transparent, and smoked colors, with Protective Glass treatment as standard.



SLAT FINISHES:

Slats made of aluminum painted in white or anthracite black, or solid Iroko or Teak wood.

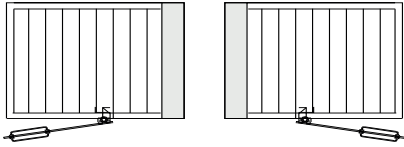


PROFILE FINISHES:

All profiles (plate+cabin) are made of aluminum painted in white or anthracite black.

WELLBOX EASY PIVOT

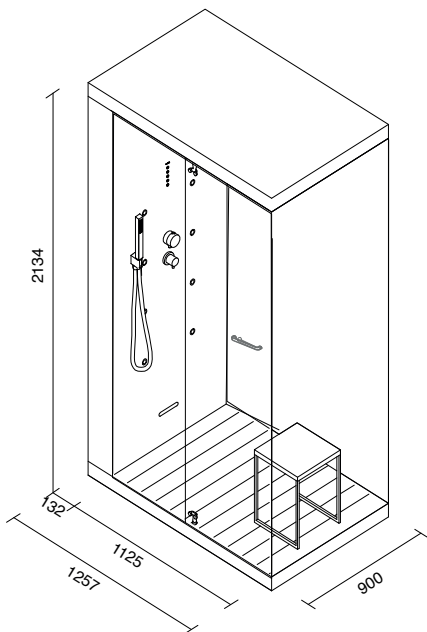
TECHNICAL DRAWINGS



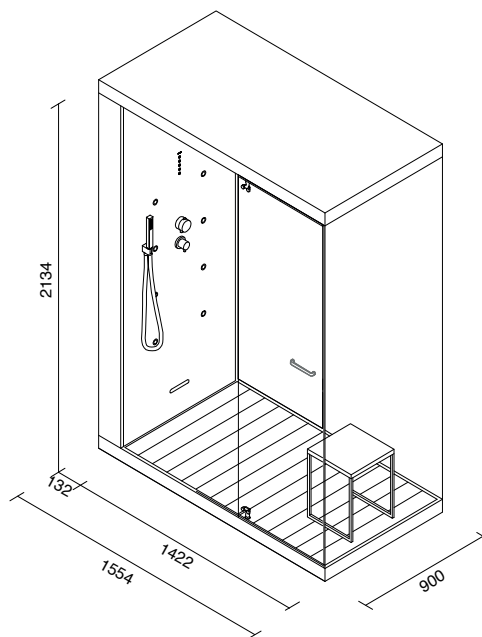
REVERSIBLE PRODUCT

(A x D) mm	H. mm	Number of stools included	kW
1257x900	2134	1	2.75
1557x900	2134	1	4.4

1257x900



1557x900



GLASS FINISHES

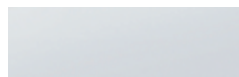

Transparent glass "F"

TECHNICAL DOOR FINISHES


Back-painted glass White "1"



Back-painted glass Black "Z"

PROFILE FINISHES


Matt White Aluminum "E"



Matt Black Aluminum "Z"

FLOOR - CEILING STAVES


White "E"



Black "Z"



Iroko "L"



Teak "T"

MEASURE / TYPE	KW.	CODE	PROFILE / TECHNICAL DOOR / ROOF	STAVES	TRANSPARENT GLASS WITH PROTECTIVE
1257X900 EASY	2,75 kW	WET9125/EE1F	MATT WHITE	MATT WHITE	14.057
		WET9125/EL1F	MATT WHITE	IROKO	
		WET9125/ET1F	MATT WHITE	TEAK	
		WET9125/ZZZF	MATT BLACK	MATT BLACK	
		WET9125/ZLZF	MATT BLACK	IROKO	
		WET9125/ZTZF	MATT BLACK	TEAK	
1554X900 EASY	4,4 kW	WET9155/EE1F	MATT WHITE	MATT WHITE	15.719
		WET9155/EL1F	MATT WHITE	IROKO	
		WET9155/ET1F	MATT WHITE	TEAK	
		WET9155/ZZZF	MATT BLACK	MATT BLACK	
		WET9155/ZLZF	MATT BLACK	IROKO	
		WET9155/ZTZF	MATT BLACK	TEAK	

OPTIONS	COD.	
Small back-painted glass panel	AWB007	377
Long back-painted glass panel	AWB037	508

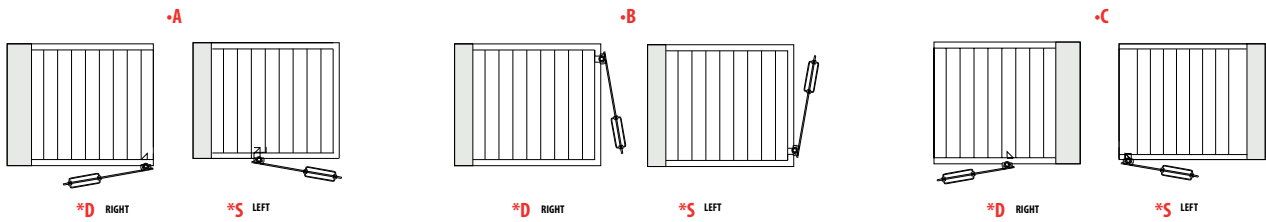
COMPONENTS AND ACCESSORIES INCLUDED

Thermostatic mixer
 Stylo magnetic hand shower with Easy Clean silicone rubber jets (operated by opening/closing tap and mixer)
 Stool 1 pz.
 Aromatherapy essence holder
REVERSIBLE

FUNCTIONS	
EASY TOUCH	
multifunctional shower head 25x25 cm ABS - chromed	
White light spotlight	
turkish steam bath / hammam	
back water jets N°8	
touch-screen keyboard	
blade of water	
hand shower	
DELIVERY	5-6 weeks

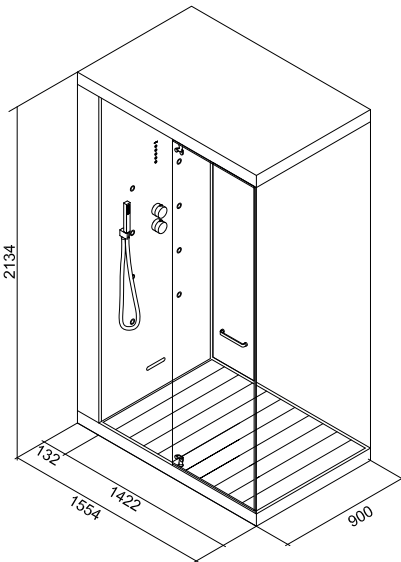
WELLBOX SINGLE PIVOT

TECHNICAL DRAWINGS

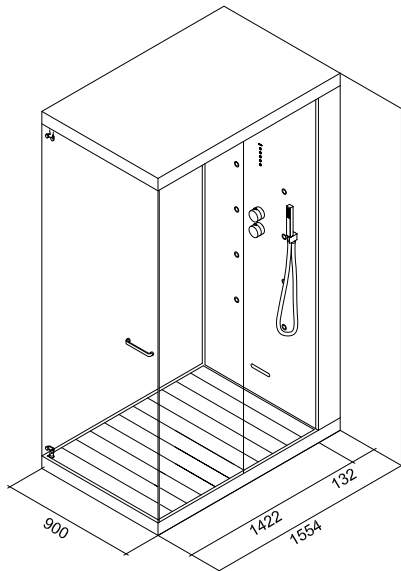


(A x D) mm	H. mm	Number of stools included	kW
1257x900	2134	1	2.75
1257x900	2134	1	2.75
1554x900	2134	1	4.4
1653x900	2134	1	4.4
1950x900	2134	1	4.4

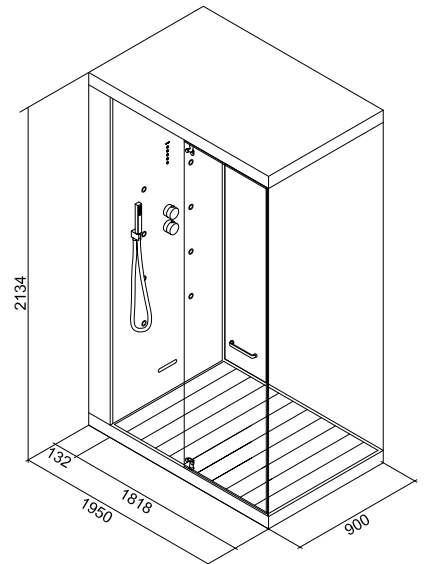
1554x900



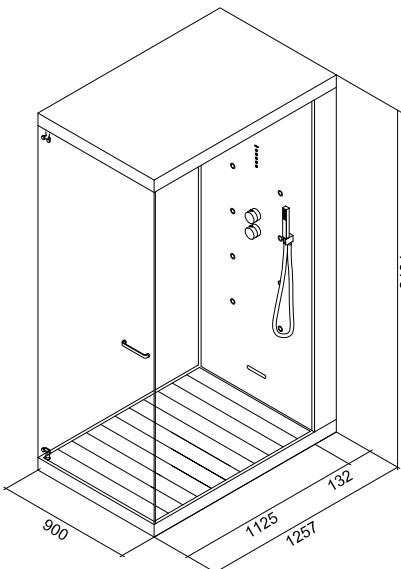
1554x900



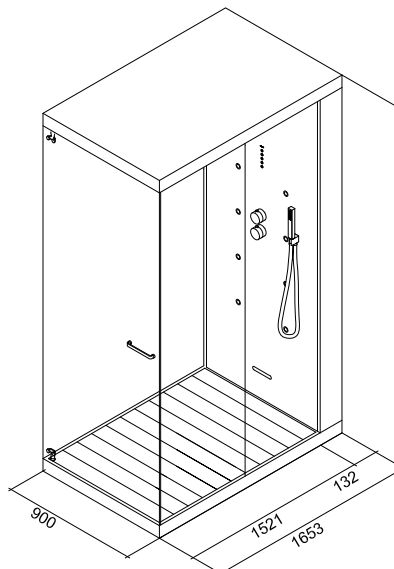
1950x900



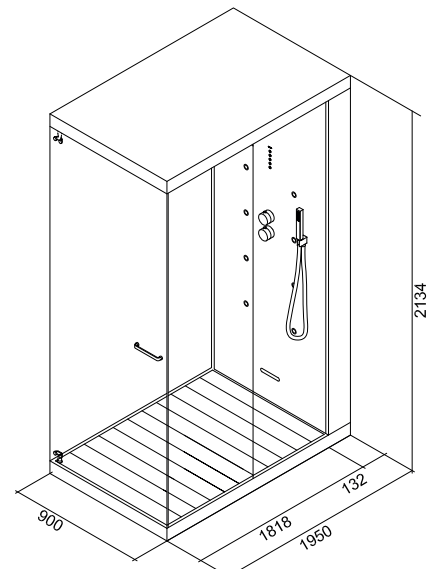
1257x900



1653x900



1950x900

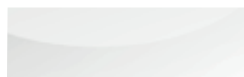


GLASS FINISHES



Transparent glass "F"

TECHNICAL DOOR FINISHES

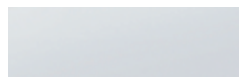


Back-painted glass White "I"



Back-painted glass Black "V"

PROFILE FINISHES



Matt White Aluminum "E"



Matt Black Aluminum "Z"

FLOOR - CEILING STAVES



White "E"



Black "Z"



Iroko "L"



Teak "T"

MEASURE / TYPE	KW.	CODE	PROFILE / TECHNICAL DOOR / ROOF	TRANSPARENT GLASS WITH PROTECTIVE FINISHES STAVES			
				WHITE - E	BLACK - Z	TEAK - T	IROKO - L
1257x900 IDRO	-	W1-9125*/E _ E1F	MATT WHITE	14.363	-	14.363	14.363
		W1-9125*/Z _ ZZF	MATT BLACK	-	14.363	14.363	14.363
1257x900 TOP	2,75 kW	W1-9125*/E _ EHF	MATT WHITE	16.630	-	16.630	16.630
		W1-9125*/Z _ ZUF	MATT BLACK	-	16.630	16.630	16.630
1257x900 PREMIUM	2,75 kW	W1-9125*/E _ EIF	MATT WHITE	17.831	-	17.831	17.831
		W1-9125*/Z _ ZVF	MATT BLACK	-	17.831	17.831	17.831
1554x900 IDRO	-	W1-9155*/E _ E1F	MATT WHITE	16.806	-	16.806	16.806
		W1-9155*/Z _ ZZF	MATT BLACK	-	16.806	16.806	16.806
1554x900 TOP	4,4 kW	W1-9155*/E _ EHF	MATT WHITE	19.124	-	19.124	19.124
		W1-9155*/Z _ ZUF	MATT BLACK	-	19.124	19.124	19.124
1554x900 PREMIUM	4,4 kW	W1-9155*/E _ EIF	MATT WHITE	20.220	-	20.220	20.220
		W1-9155*/Z _ ZVF	MATT BLACK	-	20.220	20.220	20.220
1653x900 IDRO	-	W1-9165*/E _ E1F	MATT WHITE	17.640	-	17.640	17.640
		W1-9165*/Z _ ZZF	MATT BLACK	-	17.640	17.640	17.640
1653x900 TOP	4,4 kW	W1-9165*/E _ EHF	MATT WHITE	19.955	-	19.955	19.955
		W1-9165*/Z _ ZUF	MATT BLACK	-	19.955	19.955	19.955
1653x900 PREMIUM	4,4 kW	W1-9165*/E _ EIF	MATT WHITE	21.169	-	21.169	21.169
		W1-9165*/Z _ ZVF	MATT BLACK	-	21.169	21.169	21.169
1950x900 IDRO	-	W1-9195*/E _ E1F	MATT WHITE	18.474	-	18.474	18.474
		W1-9195*/Z _ ZZF	MATT BLACK	-	18.474	18.474	18.474
1950x900 TOP	4,4 kW	W1-9195*/E _ EHF	MATT WHITE	20.787	-	20.787	20.787
		W1-9195*/Z _ ZUF	MATT BLACK	-	20.787	20.787	20.787
1950x900 PREMIUM	4,4 kW	W1-9195*/E _ EIF	MATT WHITE	22.004	-	22.004	22.004
		W1-9195*/Z _ ZVF	MATT BLACK	-	22.004	22.004	22.004

OPTIONS	COD.	
Small back-painted glass panel	AWB007	377
Long back-painted glass panel	AWB037	508

COMPONENTS AND ACCESSORIES INCLUDED

Thermostatic mixer
 Stylo magnetic hand shower with Easy Clean silicone rubber jets (opening/closing tap and mixer)
 Stool 1 pz.
 Aromatherapy essence holder

OPTIONAL: Kit in & Out +2% replace "D / S" with "X / Y"

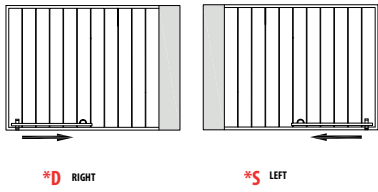
DELIVERY	5-6 weeks
----------	-----------

FUNZIONI		
IDRO	TOP	PREMIUM
shower head 25x25 cm	shower head 25x25 cm	shower head 50x50 cm
-	RGB light	2 Strip Led RGB
-	turkish steam bath / hammam	turkish steam bath / hammam
back water jets N°8	back water jets N°8	back water jets N°8
-	-	Pair of 50W speakers + bluetooth
-	touch-screen keyboard	touch-screen keyboard
blade of water	blade of water	blade of water
hand shower	hand shower	hand shower
-	-	nebulizers

For special solutions and assembling ask for feasibility

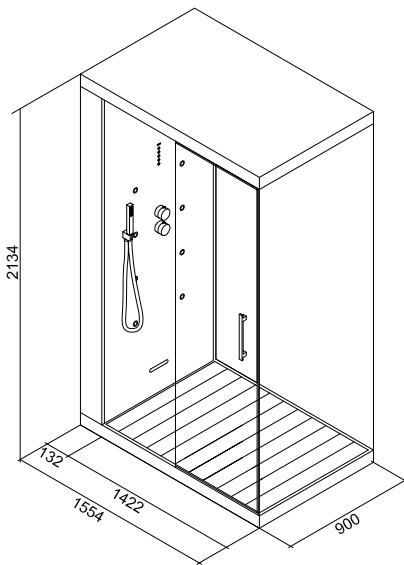
WELLBOX SINGLE SLIDING

TECHNICAL DRAWINGS

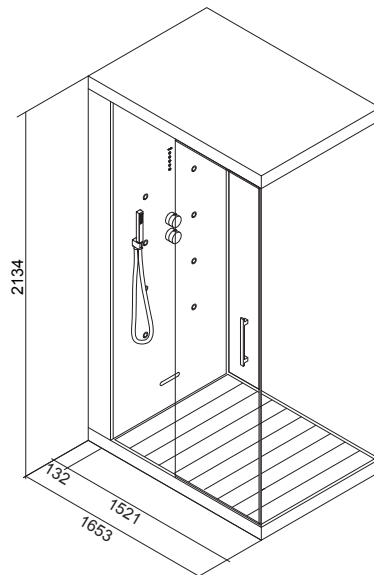


(A x D) mm	H. mm	Number of stools included	kW
1257x900	2134	1	2.75
1653x900	2134	1	4.4
1950x900	2134	1	4.4

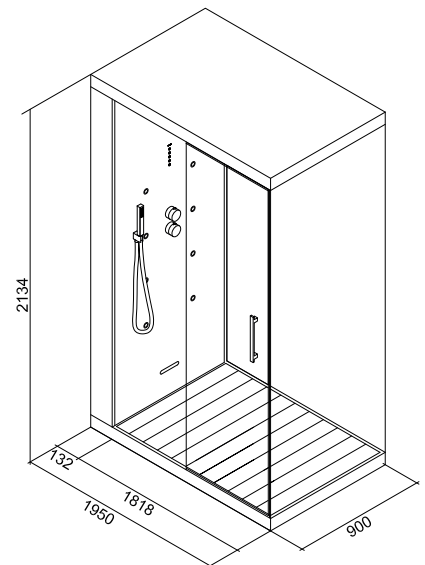
1257x900



1653x900



1950x900



GLASS FINISHES

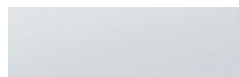

Transparent glass "F"

TECHNICAL DOOR FINISHES


Back-painted glass White "I"



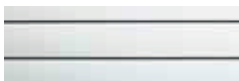
Back-painted glass Black "V"

PROFILE FINISHES


Matt White Aluminum "E"



Matt Black Aluminum "Z"

FLOOR - CEILING STAVES


White "E"



Black "Z"



Iroko "L"



Teak "T"

MEASURE / TYPE	KW	CODE	PROFILE / TECHNICAL DOOR / ROOF	TRANSPARENT GLASS WITH PROTECTIVE FINISHES STAVES			
				WHITE - E	BLACK - Z	TEAK - T	IROKO - L
1554x900 IDRO	-	W1S9155*/E_E1F	MATT WHITE	16.806	-	16.806	16.806
		W1S9155*/Z_ZZF	MATT BLACK	-	16.806	16.806	16.806
1554x900 TOP	4,4 kW	W1S9155*/E_EHF	MATT WHITE	19.124	-	19.124	19.124
		W1S9155*/Z_ZUF	MATT BLACK	-	19.124	19.124	19.124
1554x900 PREMIUM	4,4 kW	W1S9155*/E_EIF	MATT WHITE	20.220	-	20.220	20.220
		W1S9155*/Z_ZVF	MATT BLACK	-	20.220	20.220	20.220
1653x900 IDRO	-	W1S9165*/E_E1F	MATT WHITE	17.640	-	17.640	17.640
		W1S9165*/Z_ZZF	MATT BLACK	-	17.640	17.640	17.640
1653x900 TOP	4,4 kW	W1S9165*/E_EHF	MATT WHITE	19.955	-	19.955	19.955
		W1S9165*/Z_ZUF	MATT BLACK	-	19.955	19.955	19.955
1653x900 PREMIUM	4,4 kW	W1S9165*/E_EIF	MATT WHITE	21.169	-	21.169	21.169
		W1S9165*/Z_ZVF	MATT BLACK	-	21.169	21.169	21.169
1950x900 IDRO	-	W1S9195*/E_E1F	MATT WHITE	18.474	-	18.474	18.474
		W1S9195*/Z_ZZF	MATT BLACK	-	18.474	18.474	18.474
1950x900 TOP	4,4 kW	W1S9195*/E_EHF	MATT WHITE	20.787	-	20.787	20.787
		W1S9195*/Z_ZUF	MATT BLACK	-	20.787	20.787	20.787
1950x900 PREMIUM	4,4 kW	W1S9195*/E_EIF	MATT WHITE	22.004	-	22.004	22.004
		W1S9195*/Z_ZVF	MATT BLACK	-	22.004	22.004	22.004

OPTIONS	COD.	
Small back-painted glass panel	AWB007	377
Long back-painted glass panel	AWB037	508

COMPONENTS AND ACCESSORIES INCLUDED

Thermostatic mixer
 Stylo magnetic hand shower with Easy Clean silicone rubber jets (opening/closing tap and mixer)
 Stool 1 pz.
 Aromatherapy essence holder

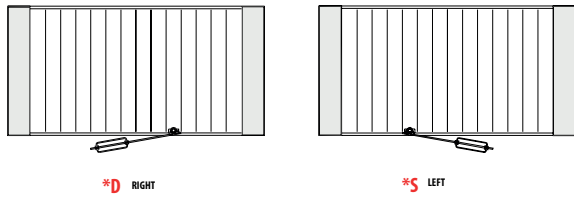
DELIVERY	5-6 weeks
-----------------	-----------

FUNZIONI		
IDRO	TOP	PREMIUM
shower head 25x25 cm	shower head 25x25 cm	shower head 50x50 cm
-	RGB light	2 Strip Led RGB
-	turkish steam bath / hammam	turkish steam bath / hammam
back water jets N°8	back water jets N°8	back water jets N°8
-	-	Pair of 50W speakers + bluetooth
-	touch-screen keyboard	touch-screen keyboard
blade of water	blade of water	blade of water
hand shower	hand shower	hand shower
-	-	nebulizers

For special solutions and assembling ask for feasibility

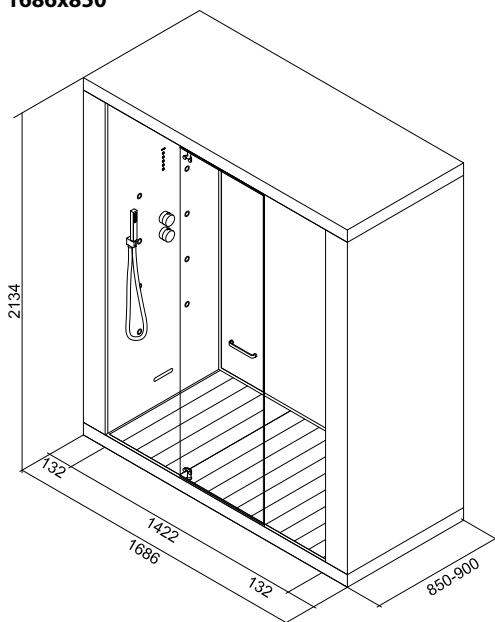
WELLBOX DOUBLE PIVOT

TECHNICAL DRAWINGS

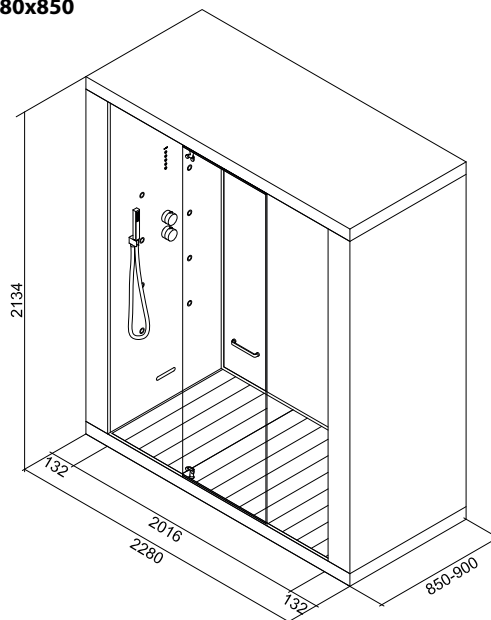


(A x D) mm	H. mm	Number of stools included	kW
1686x850	2134	2	4.4
1686x900	2134	2	4.4
2280x850	2134	2	4.4
2280x900	2134	2	4.4

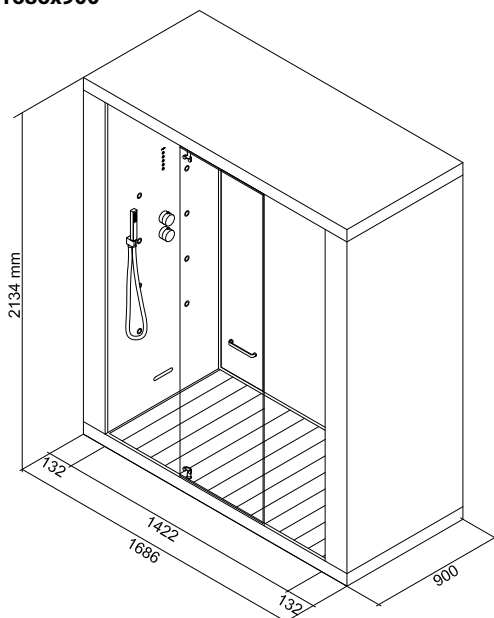
1686x850



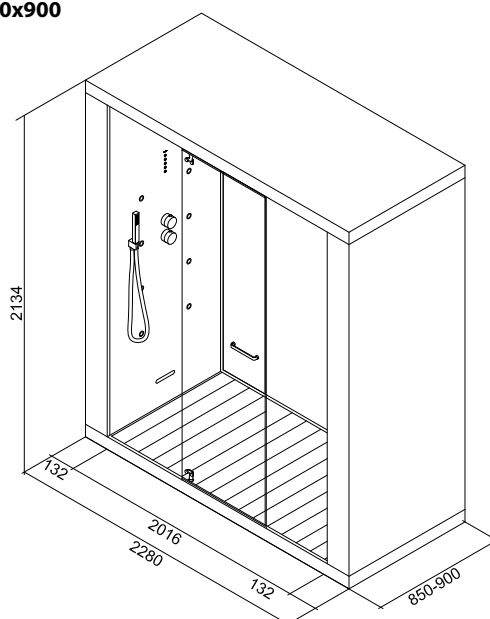
2280x850



1686x900

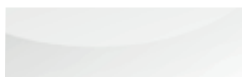


2280x900



GLASS FINISHES


Transparent glass "F"

TECHNICAL DOOR FINISHES


Back-painted glass White "I"



Back-painted glass Black "V"

PROFILE FINISHES


Matt White Aluminum "E"



Matt Black Aluminum "Z"

FLOOR - CEILING STAVES


White "E"



Black "Z"



Iroko "L"



Teak "T"

MEASURE / TYPE	KW.	CODE	PROFILE / TECHNICAL DOOR / ROOF	TRANSPARENT GLASS WITH PROTECTIVE FINISHES STAVES			
				WHITE - E	BLACK - Z	TEAK - T	IROKO - L
1686x850 IDRO		W28168*/E _ E1F	MATT WHITE	19.547	-	19.547	19.547
		W28168*/Z _ ZZF	MATT BLACK	-	19.547	19.547	19.547
1686x850 TOP	4,4 kW	W28168*/E _ EHF	MATT WHITE	21.851	-	21.851	21.851
		W28168*/Z _ ZUF	MATT BLACK	-	21.851	21.851	21.851
1686x850 PREMIUM	4,4 kW	W28168*/E _ EIF	MATT WHITE	23.211	-	23.211	23.211
		W28168*/Z _ ZVF	MATT BLACK	-	23.211	23.211	23.211
1686x900 IDRO		W29168*/E _ E1F	MATT WHITE	22.109	-	22.109	22.109
		W29168*/Z _ ZZF	MATT BLACK	-	22.109	22.109	22.109
1686x900 TOP	4,4 kW	W29168*/E _ EHF	MATT WHITE	24.427	-	24.427	24.427
		W29168*/Z _ ZUF	MATT BLACK	-	24.427	24.427	24.427
1686x900 PREMIUM	4,4 kW	W29168*/E _ EIF	MATT WHITE	25.788	-	25.788	25.788
		W29168*/Z _ ZVF	MATT BLACK	-	25.788	25.788	25.788
2280x850 IDRO		W28228*/E _ E1F	MATT WHITE	23.362	-	23.362	23.362
		W28228*/Z _ ZZF	MATT BLACK	-	23.362	23.362	23.362
2280x850 TOP	4,4 kW	W28228*/E _ EHF	MATT WHITE	25.717	-	25.717	25.717
		W28228*/Z _ ZUF	MATT BLACK	-	25.717	25.717	25.717
2280x850 PREMIUM	4,4 kW	W28228*/E _ EIF	MATT WHITE	27.076	-	27.076	27.076
		W28228*/Z _ ZVF	MATT BLACK	-	27.076	27.076	27.076
2280x900 IDRO		W29228*/E _ E1F	MATT WHITE	25.495	-	25.495	25.495
		W29228*/Z _ ZZF	MATT BLACK	-	25.495	25.495	25.495
2280x900 TOP	4,4 kW	W29228*/E _ EHF	MATT WHITE	27.651	-	27.651	27.651
		W29228*/Z _ ZUF	MATT BLACK	-	27.651	27.651	27.651
2280x900 PREMIUM	4,4 kW	W29228*/E _ EIF	MATT WHITE	29.009	-	29.009	29.009
		W29228*/Z _ ZVF	MATT BLACK	-	29.009	29.009	29.009

OPTIONS	COD.
Long back-painted glass panel	AWB037 508

COMPONENTS AND ACCESSORIES INCLUDED

Thermostatic mixer
 Stylo magnetic hand shower with Easy Clean silicone rubber jets (opening/closing tap and mixer)
 Stool 2 pz.
 Aromatherapy essence holder

OPTIONAL: Kit in & Out +2% replace "D / S" with "X / Y"

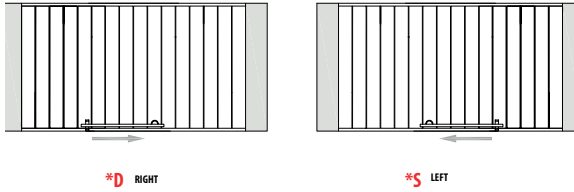
DELIVERY	5-6 weeks
----------	-----------

FUNZIONI		
IDRO	TOP	PREMIUM
shower head 25x25 cm	shower head 25x25 cm	shower head 50x50 cm
-	RGB light	2 Strip Led RGB
-	turkish steam bath / hammam	turkish steam bath / hammam
back water jets N°8	back water jets N°8	back water jets N°8
-	-	Pair of 50W speakers + bluetooth
-	touch-screen keyboard	touch-screen keyboard
blade of water	blade of water	blade of water
hand shower	hand shower	hand shower
-	-	nebulizers

For special solutions and assembling ask for feasibility

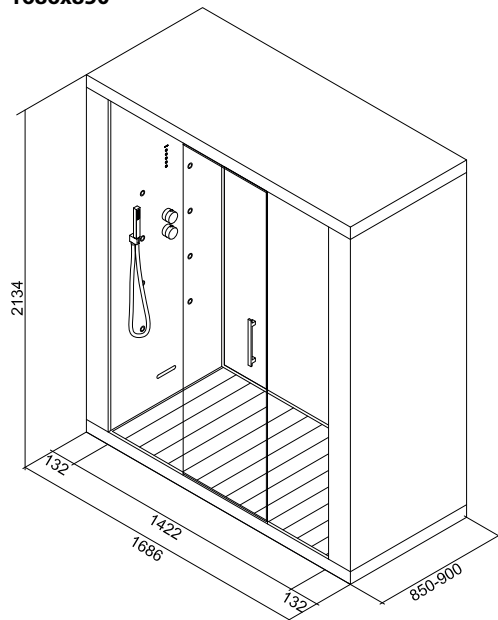
WELLBOX DOUBLE SLIDING

TECHNICAL DRAWINGS

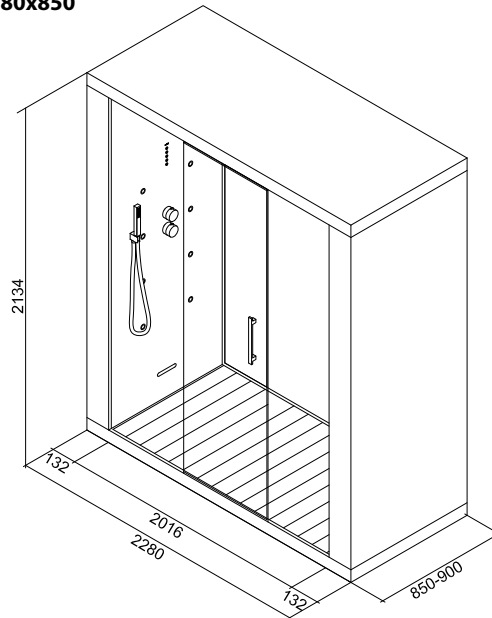


(A x D) mm	H. mm	Number of stools included	kW
1686x850	2134	2	4.4
1686x900	2134	2	4.4
2280x850	2134	2	4.4
2280x900	2134	2	4.4

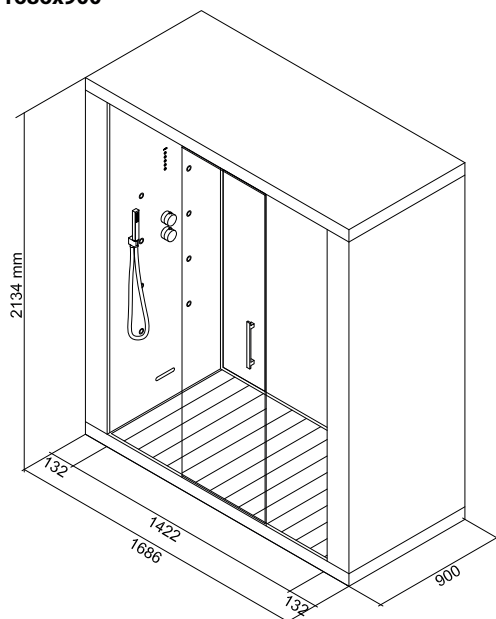
1686x850



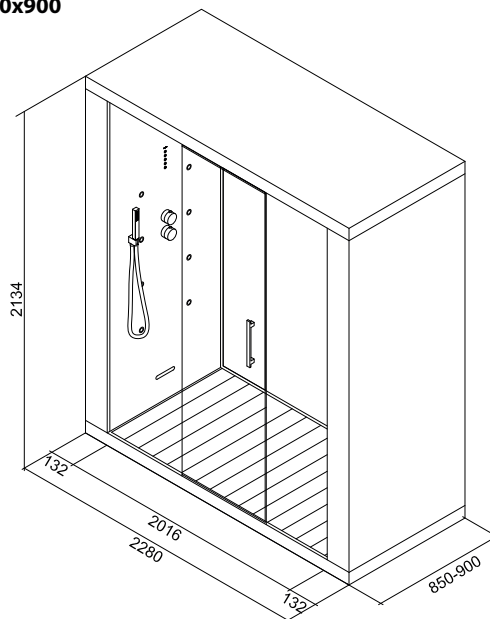
2280x850



1686x900

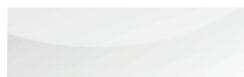


2280x900



GLASS FINISHES


Transparent glass "F"

TECHNICAL DOOR FINISHES


Back-painted glass White "I"



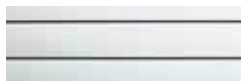
Back-painted glass Black "V"

PROFILE FINISHES


Matt White Aluminum "E"



Matt Black Aluminum "Z"

FLOOR - CEILING STAVES


White "E"



Black "Z"



Iroko "L"



Teak "T"

MEASURE / TYPE	KW.	CODE	PROFILE / TECHNICAL DOOR / ROOF	TRANSPARENT GLASS WITH PROTECTIVE FINISHES STAVES			
				WHITE - E	BLACK - Z	TEAK - T	IROKO - L
1686x850 IDRO	-	W2S8168*/E _ E1F	MATT WHITE	19.547	-	19.547	19.547
		W2S8168*/Z _ ZZF	MATT BLACK	-	19.547	19.547	19.547
1686x850 TOP	4,4 kW	W2S8168*/E _ EHF	MATT WHITE	21.851	-	21.851	21.851
		W2S8168*/Z _ ZUF	MATT BLACK	-	21.851	21.851	21.851
1686x850 PREMIUM	4,4 kW	W2S8168*/E _ EIF	MATT WHITE	23.211	-	23.211	23.211
		W2S8168*/Z _ ZVF	MATT BLACK	-	23.211	23.211	23.211
1686x900 IDRO	-	W2S9168*/E _ E1F	MATT WHITE	22.109	-	22.109	22.109
		W2S9168*/Z _ ZZF	MATT BLACK	-	22.109	22.109	22.109
1686x900 TOP	4,4 kW	W2S9168*/E _ EHF	MATT WHITE	24.427	-	24.427	24.427
		W2S9168*/Z _ ZUF	MATT BLACK	-	24.427	24.427	24.427
1686x900 PREMIUM	4,4 kW	W2S9168*/E _ EIF	MATT WHITE	25.788	-	25.788	25.788
		W2S9168*/Z _ ZVF	MATT BLACK	-	25.788	25.788	25.788
2280x850 IDRO	-	W2S8228*/E _ E1F	MATT WHITE	23.362	-	23.362	23.362
		W2S8228*/Z _ ZZF	MATT BLACK	-	23.362	23.362	23.362
2280x850 TOP	4,4 kW	W2S8228*/E _ EHF	MATT WHITE	25.717	-	25.717	25.717
		W2S8228*/Z _ ZUF	MATT BLACK	-	25.717	25.717	25.717
2280x850 PREMIUM	4,4 kW	W2S8228*/E _ EIF	MATT WHITE	27.076	-	27.076	27.076
		W2S8228*/Z _ ZVF	MATT BLACK	-	27.076	27.076	27.076
2280x900 IDRO	-	W2S9228*/E _ E1F	MATT WHITE	25.495	-	25.495	25.495
		W2S9228*/Z _ ZZF	MATT BLACK	-	25.495	25.495	25.495
2280x900 TOP	4,4 kW	W2S9228*/E _ EHF	MATT WHITE	27.651	-	27.651	27.651
		W2S9228*/Z _ ZUF	MATT BLACK	-	27.651	27.651	27.651
2280x900 PREMIUM	4,4 kW	W2S9228*/E _ EIF	MATT WHITE	29.009	-	29.009	29.009
		W2S9228*/Z _ ZVF	MATT BLACK	-	29.009	29.009	29.009

OPTIONS	COD.
Long back-painted glass panel	AWB037 508

COMPONENTS AND ACCESSORIES INCLUDED

Thermostatic mixer
 Stylo magnetic hand shower
 Stool 2 pz.
 Aromatherapy essence holder

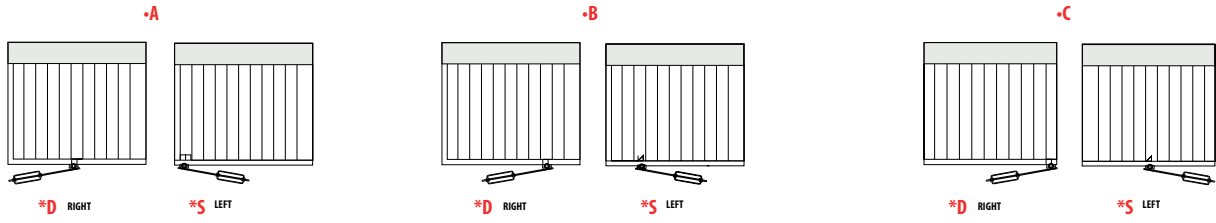
DELIVERY	5-6 weeks
----------	-----------

FUNZIONI		
IDRO	TOP	PREMIUM
shower head 25x25 cm	shower head 25x25 cm	shower head 50x50 cm
-	RGB light	2 Strip Led RGB
-	turkish steam bath / hammam	turkish steam bath / hammam
back water jets N°8	back water jets N°8	back water jets N°8
-	-	Pair of 50W speakers + bluetooth
-	touch-screen keyboard	touch-screen keyboard
blade of water	blade of water	blade of water
hand shower	hand shower	hand shower
-	-	nebulizers

For special solutions and assembling ask for feasibility

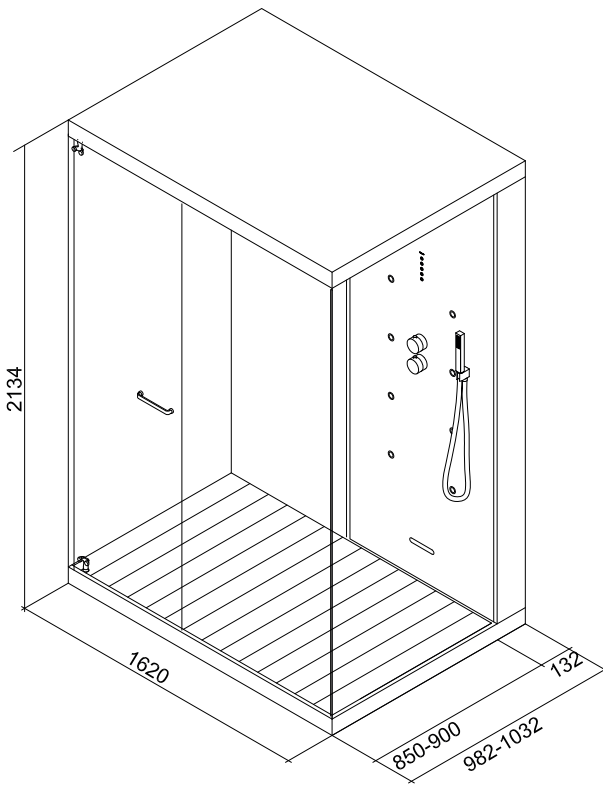
WELLBOX WIDE PIVOT

TECHNICAL DRAWINGS

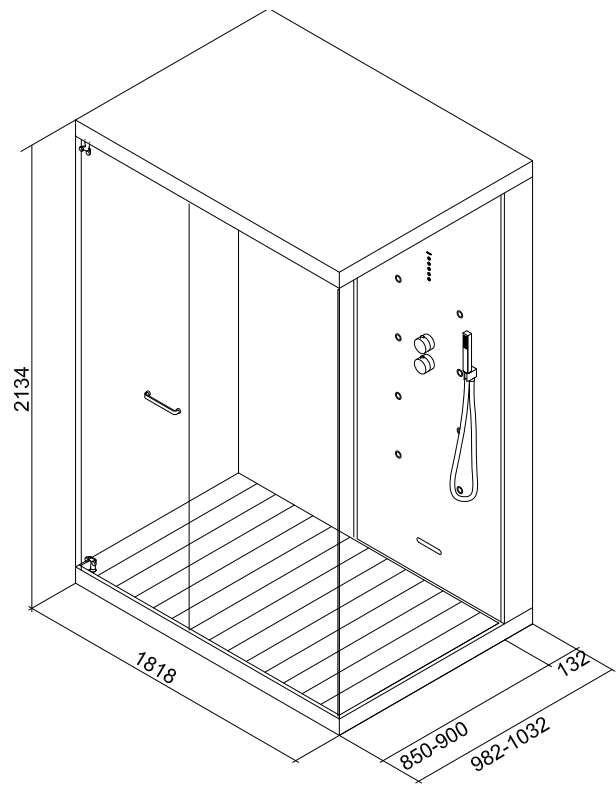


(A x D) mm	H. mm	Number of stools included	kW
1620x982	2134	1	4.4
1620x1032	2134	1	4.4
1818x982	2134	1	4.4
1818x1032	2134	1	4.4

1686x900-1032



1818x900-1032

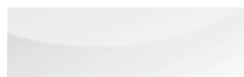


GLASS FINISHES



Transparent glass "F"

TECHNICAL DOOR FINISHES

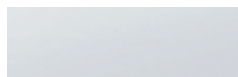


Back-painted glass White "I"



Back-painted glass Black "V"

PROFILE FINISHES

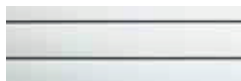


Matt White Aluminum "E"



Matt Black Aluminum "Z"

FLOOR - CEILING STAVES



White "E"



Black "Z"



Iroko "L"



Teak "T"

MEASURE / TYPE	KW.	CODE	PROFILE / TECHNICAL DOOR / ROOF	TRANSPARENT GLASS WITH PROTECTIVE FINISHES STAVES			
				WHITE - E	BLACK - Z	TEAK - T	IROKO - L
1620x982 IDRO	-	W3-8162*/E_E1F	MATT WHITE	18.236	-	18.236	18.236
		W3-8162*/Z_ZZF	MATT BLACK	-	18.236	18.236	18.236
1620x982 TOP	4,4 kW	W3-8162*/E_EHF	MATT WHITE	20.562	-	20.562	20.562
		W3-8162*/Z_ZUF	MATT BLACK	-	20.562	20.562	20.562
1620x982 PREMIUM	4,4 kW	W3-8162*/E EIF	MATT WHITE	21.763	-	21.763	21.763
		W3-8162*/Z_ZVF	MATT BLACK	-	21.763	21.763	21.763
1620x1032 IDRO	-	W3-9162*/E_E1F	MATT WHITE	19.785	-	19.785	19.785
		W3-9162*/Z_ZZF	MATT BLACK	-	19.785	19.785	19.785
1620x1032 TOP	4,4 kW	W3-9162*/E_EHF	MATT WHITE	22.108	-	22.108	22.108
		W3-9162*/Z_ZUF	MATT BLACK	-	22.108	22.108	22.108
1620x1032 PREMIUM	4,4 kW	W3-9162*/E EIF	MATT WHITE	23.310	-	23.310	23.310
		W3-9162*/Z_ZVF	MATT BLACK	-	23.310	23.310	23.310
1818x982 IDRO	-	W3-8181*/E_E1F	MATT WHITE	19.190	-	19.190	19.190
		W3-8181*/Z_ZZF	MATT BLACK	-	19.190	19.190	19.190
1818x982 TOP	4,4 kW	W3-8181*/E_EHF	MATT WHITE	21.540	-	21.540	21.540
		W3-8181*/Z_ZUF	MATT BLACK	-	21.540	21.540	21.540
1818x982 PREMIUM	4,4 kW	W3-8181*/E EIF	MATT WHITE	22.734	-	22.734	22.734
		W3-8181*/Z_ZVF	MATT BLACK	-	22.734	22.734	22.734
1818x1032 IDRO	-	W3-9181*/E_E1F	MATT WHITE	20.857	-	20.857	20.857
		W3-9181*/Z_ZZF	MATT BLACK	-	20.857	20.857	20.857
1818x1032 TOP	4,4 kW	W3-9181*/E_EHF	MATT WHITE	23.161	-	23.161	23.161
		W3-9181*/Z_ZUF	MATT BLACK	-	23.161	23.161	23.161
1818x1032 PREMIUM	4,4 kW	W3-9181*/E EIF	MATT WHITE	24.582	-	24.582	24.582
		W3-9181*/Z_ZVF	MATT BLACK	-	24.582	24.582	24.582

OPTIONS	COD.	
Small back-painted glass panel	AWB007	377
Long back-painted glass panel	AWB037	508

COMPONENTS AND ACCESSORIES INCLUDED

Thermostatic mixer
 Stylo magnetic hand shower
 Stool 1 pz.
 Aromatherapy essence holder

OPTIONAL: Kit in & Out +2% replace "D / S" with "X / Y"

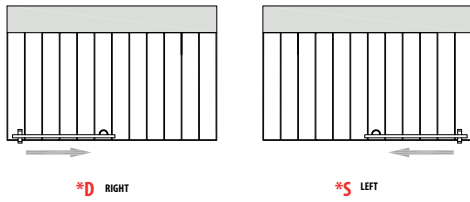
DELIVERY	5-6 weeks
----------	-----------

FUNZIONI		
IDRO	TOP	PREMIUM
shower head 25x25 cm	shower head 25x25 cm	shower head 50x50 cm
-	RGB light	2 Strip Led RGB
-	turkish steam bath / hammam	turkish steam bath / hammam
back water jets N°8	back water jets N°8	back water jets N°8
-	-	Pair of 50W speakers + bluetooth
-	touch-screen keyboard	touch-screen keyboard
blade of water	blade of water	blade of water
hand shower	hand shower	hand shower
-	-	nebulizers

For special solutions and assembling ask for feasibility

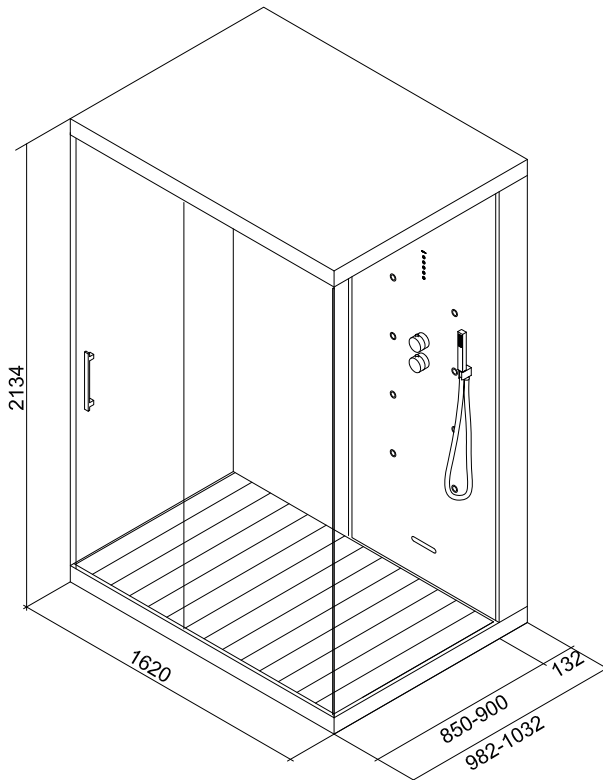
WELLBOX WIDE SLIDING

TECHNICAL DRAWINGS

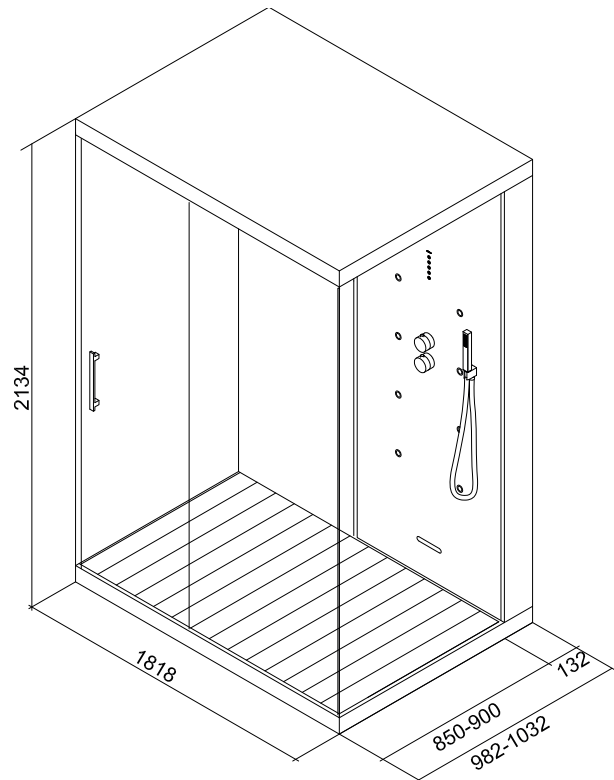


(A x D) mm	H. mm	Number of stools included	kW
1620x982	2134	1	4.4
1620x1032	2134	1	4.4
1818x982	2134	1	4.4
1818x1032	2134	1	4.4

1620x900-1032



1818x900-1032

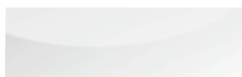


GLASS FINISHES



Transparent glass "F"

TECHNICAL DOOR FINISHES



Back-painted glass White "I"



Back-painted glass Black "V"

PROFILE FINISHES



Matt White Aluminum "E"



Matt Black Aluminum "Z"

FLOOR - CEILING STAVES



White "E"



Black "Z"



Iroko "L"



Teak "T"

MEASURE / TYPE	KW.	CODE	PROFILE / TECHNICAL DOOR / ROOF	TRANSPARENT GLASS WITH PROTECTIVE FINISHES STAVES			
				WHITE - E	BLACK - Z	TEAK - T	IROKO - L
1620x982 IDRO		W3S8162*/E_E1F	MATT WHITE	18.236	-	18.236	18.236
		W3S8162*/Z_ZZF	MATT BLACK	-	18.236	18.236	18.236
1620x982 TOP	4,4 kW	W3S8162*/E_EHF	MATT WHITE	20.562	-	20.562	20.562
		W3S8162*/Z_ZUF	MATT BLACK	-	20.562	20.562	20.562
1620x982 PREMIUM	4,4 kW	W3S8162*/E_EIF	MATT WHITE	21.763	-	21.763	21.763
		W3S8162*/Z_ZVF	MATT BLACK	-	21.763	21.763	21.763
1620x1032 IDRO		W3S9162*/E_E1F	MATT WHITE	19.785	-	19.785	19.785
		W3S9162*/Z_ZZF	MATT BLACK	-	19.785	19.785	19.785
1620x1032 TOP	4,4 kW	W3S9162*/E_EHF	MATT WHITE	22.108	-	22.108	22.108
		W3S9162*/Z_ZUF	MATT BLACK	-	22.108	22.108	22.108
1620x1032 PREMIUM	4,4 kW	W3S9162*/E_EIF	MATT WHITE	23.310	-	23.310	23.310
		W3S9162*/Z_ZVF	MATT BLACK	-	23.310	23.310	23.310
1818x982 IDRO		W3S8181*/E_E1F	MATT WHITE	19.190	-	19.190	19.190
		W3S8181*/Z_ZZF	MATT BLACK	-	19.190	19.190	19.190
1818x982 TOP	4,4 kW	W3S8181*/E_EHF	MATT WHITE	21.540	-	21.540	21.540
		W3S8181*/Z_ZUF	MATT BLACK	-	21.540	21.540	21.540
1818x982 PREMIUM	4,4 kW	W3S8181*/E_EIF	MATT WHITE	22.734	-	22.734	22.734
		W3S8181*/Z_ZVF	MATT BLACK	-	22.734	22.734	22.734
1818x1032 IDRO		W3S9181*/E_E1F	MATT WHITE	20.857	-	20.857	20.857
		W3S9181*/Z_ZZF	MATT BLACK	-	20.857	20.857	20.857
1818x1032 TOP	4,4 kW	W3S9181*/E_EHF	MATT WHITE	23.161	-	23.161	23.161
		W3S9181*/Z_ZUF	MATT BLACK	-	23.161	23.161	23.161
1818x1032 PREMIUM	4,4 kW	W3S9181*/E_EIF	MATT WHITE	24.582	-	24.582	24.582
		W3S9181*/Z_ZVF	MATT BLACK	-	24.582	24.582	24.582

OPTIONS	COD.	
Small back-painted glass panel	AWB007	377
Long back-painted glass panel	AWB037	508

COMPONENTS AND ACCESSORIES INCLUDED

Thermostatic mixer
 Stylo magnetic hand shower
 Stool 1 pz.
 Aromatherapy essence holder

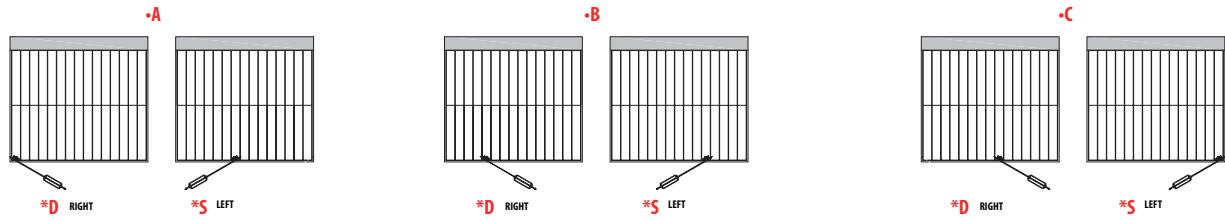
DELIVERY	5-6 weeks
----------	-----------

FUNZIONI		
IDRO	TOP	PREMIUM
shower head 25x25 cm	shower head 25x25 cm	shower head 50x50 cm
-	RGB light	2 Strip Led RGB
-	turkish steam bath / hammam	turkish steam bath / hammam
back water jets N°8	back water jets N°8	back water jets N°8
-	-	Pair of 50W speakers + bluetooth
-	touch-screen keyboard	touch-screen keyboard
blade of water	blade of water	blade of water
hand shower	hand shower	hand shower
-	-	nebulizers

For special solutions and assembling ask for feasibility

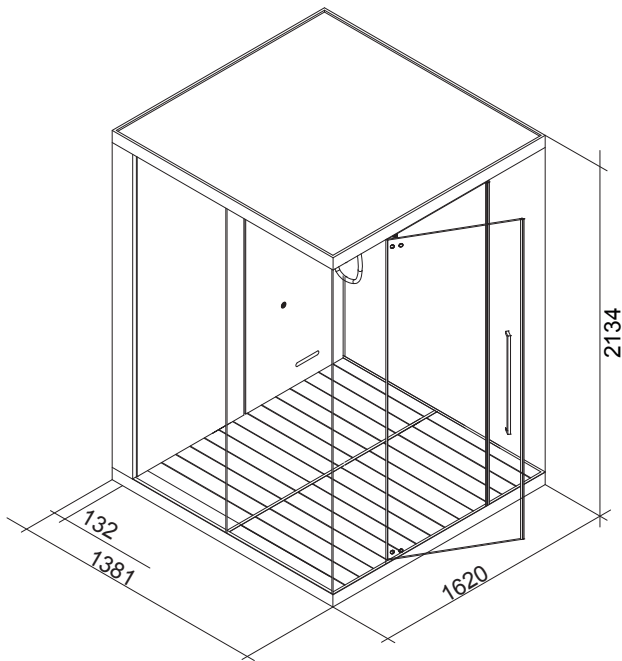
WELLBOX LARGE

TECHNICAL DRAWINGS

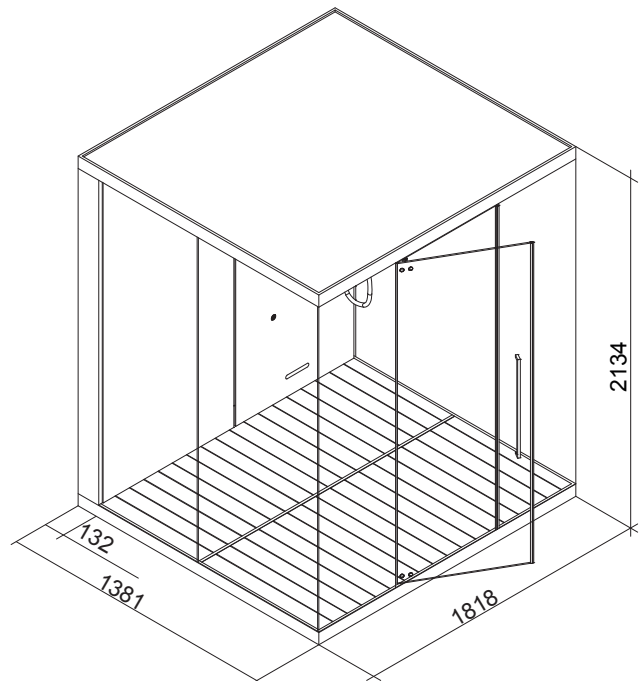


(A x D) mm	H. mm	Number of stools included	kW
1620x1381	2134	1	4.4
1818x1381	2134	1	4.4

1620x1381



1818x1381

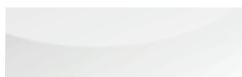


GLASS FINISHES



Transparent glass "F"

TECHNICAL DOOR FINISHES

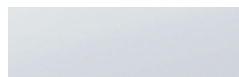


Back-painted glass White "I"



Back-painted glass Black "V"

PROFILE FINISHES

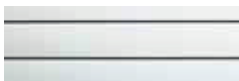


Matt White Aluminum "E"



Matt Black Aluminum "Z"

FLOOR - CEILING STAVES



White "E"



Black "Z"



Iroko "L"



Teak "T"

MEASURE / TYPE	KW.	CODE	PROFILE / TECHNICAL DOOR / ROOF	TRANSPARENT GLASS WITH PROTECTIVE FINISHES STAVES			
				WHITE - E	BLACK - Z	TEAK - T	IROKO - L
1620x1381 IDRO	-	W3-1162*/E_E1F	MATT WHITE	18.823	-	18.823	18.823
		W3-1162*/Z_ZZF	MATT BLACK	-	18.823	18.823	18.823
1620x1381 TOP	4,4 kW	W3-1162*/E_EHF	MATT WHITE	21.228	-	21.228	21.228
		W3-1162*/Z_ZUF	MATT BLACK	-	21.228	21.228	21.228
1620x1381 PREMIUM	4,4 kW	W3-1162*/E_EIF	MATT WHITE	22.242	-	22.242	22.242
		W3-1162*/Z_ZVF	MATT BLACK	-	22.242	22.242	22.242
1818x1381 IDRO	-	W3-1181*/E_E1F	MATT WHITE	20.690	-	20.690	20.690
		W3-1181*/Z_ZZF	MATT BLACK	-	20.690	20.690	20.690
1818x1381 TOP	4,4 kW	W3-1181*/E_EHF	MATT WHITE	23.073	-	23.073	23.073
		W3-1181*/Z_ZUF	MATT BLACK	-	23.073	23.073	23.073
1818x1381 PREMIUM	4,4 kW	W3-1181*/E_EIF	MATT WHITE	24.204	-	24.204	24.204
		W3-1181*/Z_ZVF	MATT BLACK	-	24.204	24.204	24.204

OPTIONS	COD.	
Small back-painted glass panel	AWB007	377
Long back-painted glass panel	AWB037	508

COMPONENTS AND ACCESSORIES INCLUDED

Thermostatic mixer
 Stylo magnetic hand shower
 Stool 1 pz.
 Aromatherapy essence holder

OPTIONAL: Kit in & Out +2% replace "D / S" with "X / Y"

DELIVERY	5-6 weeks
----------	-----------

FUNZIONI		
IDRO	TOP	PREMIUM
shower head 25x25 cm	shower head 25x25 cm	shower head 50x50 cm
-	RGB light	2 Strip Led RGB
-	turkish steam bath / hammam	turkish steam bath / hammam
back water jets N°8	back water jets N°8	back water jets N°8
-	-	Pair of 50W speakers + bluetooth
-	touch-screen keyboard	touch-screen keyboard
blade of water	blade of water	blade of water
hand shower	hand shower	hand shower
-	-	nebulizers

For special solutions and assembling ask for feasibility

PRE-INSTALLATION SHEET

WELL BOX EASY/SINGLE

Art.:

Easy 1 Touch- 1257 x 900

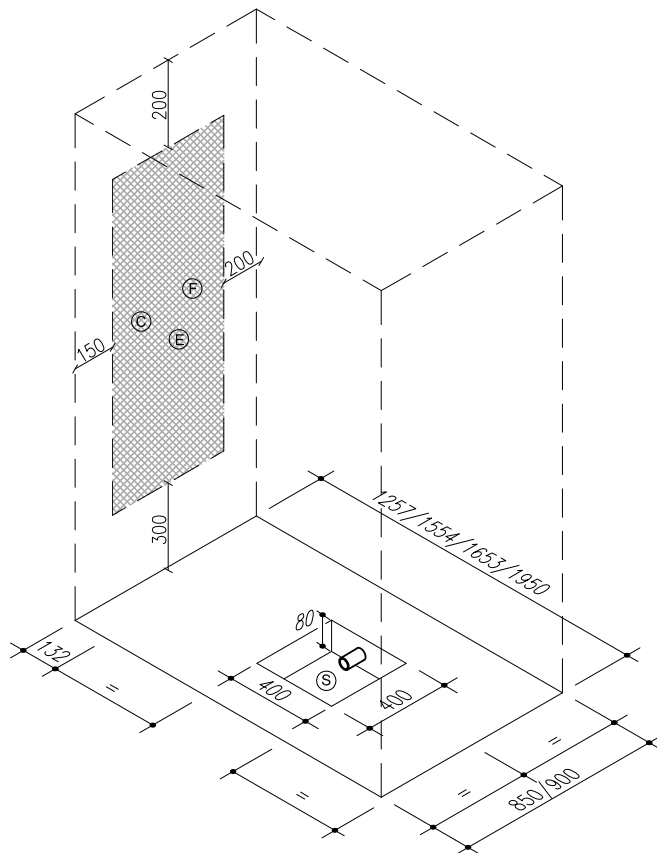
Easy 2 Touch - 1554 x 900


1A - 1257 x 900

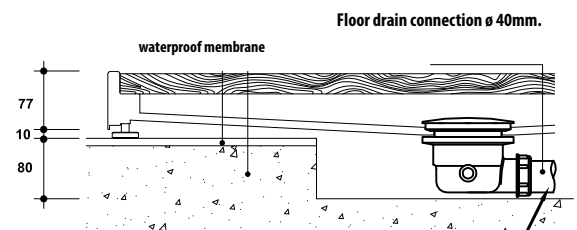
1A - 1554 x 900

1B - 1653 x 900

1B - 1950 x 900



- (S)** Double floor drain connection $\varnothing 40$ mm
- (E)** Power supply 220V
- (C) (F)** Hot and cold water connection for 1/2" diameter taps
-  Suitable area for electrical connection.



WARNING: check that the slope of the hose is at least 2%.

ELECTRICAL SAFETY

The product assumes that the system to which the sauna is connected, and the room in which the product is installed, meet the safety requirements laid down by standards and laws, among which the following are particularly important:

- Have an efficient protection circuit (earthing);
- Have a highly sensitive differential protection device according to the output of the heat generator;
- Limitation of electrical devices in the zones (zones 0, 1, 2, 3) of the bathroom and equal potential of the same
- Provide a mains disconnection switch with contact opening < 3 mm and characteristics suitable for the sauna's rated data
- Provision of a suitable cable connection system in accordance with the installed power rating.
- Use of certified electrical material according to standard

220-240V power supply

HYDRAULIC SAFETY

Prepare the hot and cold water supply connections and the drain connection.

For the correct functioning of the turkish bath and the multifunctional systems the water system must have the following characteristics

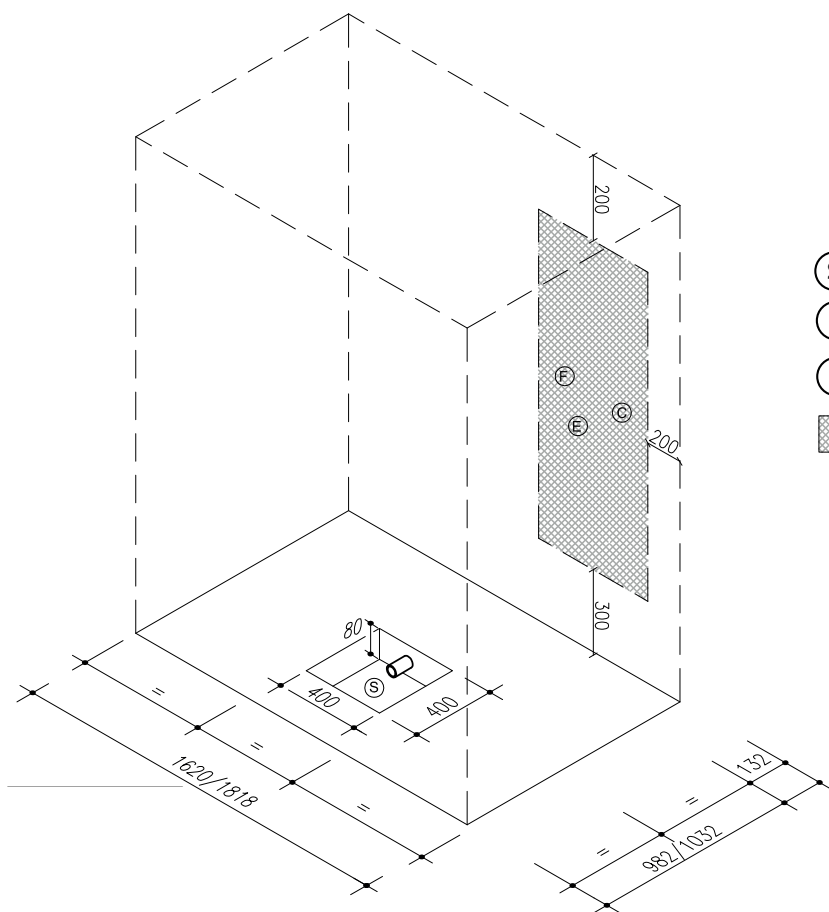
- Normal pressure at 3.5 bar.
- Min / Max network pressure from 2 to 5 bar.
- Hot water temperature at 60°C .
- Minimum water flow 12 l / min


The connection to the water network must be carried out in compliance with the provisions of the law and current regulations also concerning the pollution of water networks.

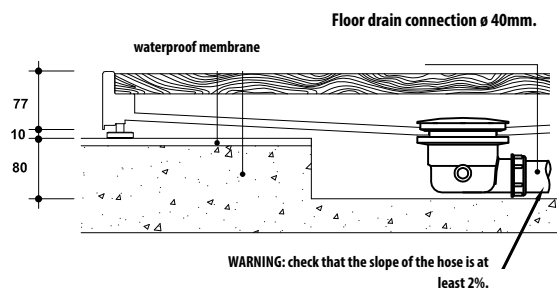
PRE-INSTALLATION SHEET

WELL BOX WIDE version DX

Art.:
 3A - 1125 x 982
 3A - 1125 x 1032
 3B - 1818 x 982
 3B - 1818 x 1032
 version A e B
 A and B version



- (S)** Double floor drain connection $\varnothing 40$ mm
- (E)** Power supply 220V
- (C) (F)** Hot and cold water connection for 1/2" diameter taps
-  Suitable area for electrical connection.



ELECTRICAL SAFETY

The product assumes that the system to which the sauna is connected, and the room in which the product is installed, meet the safety requirements laid down by standards and laws, among which the following are particularly important:

- Have an efficient protection circuit (earthing);
- Have a highly sensitive differential protection device according to the output of the heat generator;
- Limitation of electrical devices in the zones (zones 0, 1, 2, 3) of the bathroom and equal potential of the same
- Provide a mains disconnection switch with contact opening < 3 mm and characteristics suitable for the sauna's rated data
- Provision of a suitable cable connection system in accordance with the installed power rating.
- Use of certified electrical material according to standard

220-240V power supply

HYDRAULIC SAFETY

Prepare the hot and cold water supply connections and the drain connection.

For the correct functioning of the turkish bath and the multifunctional systems the water system must have the following characteristics

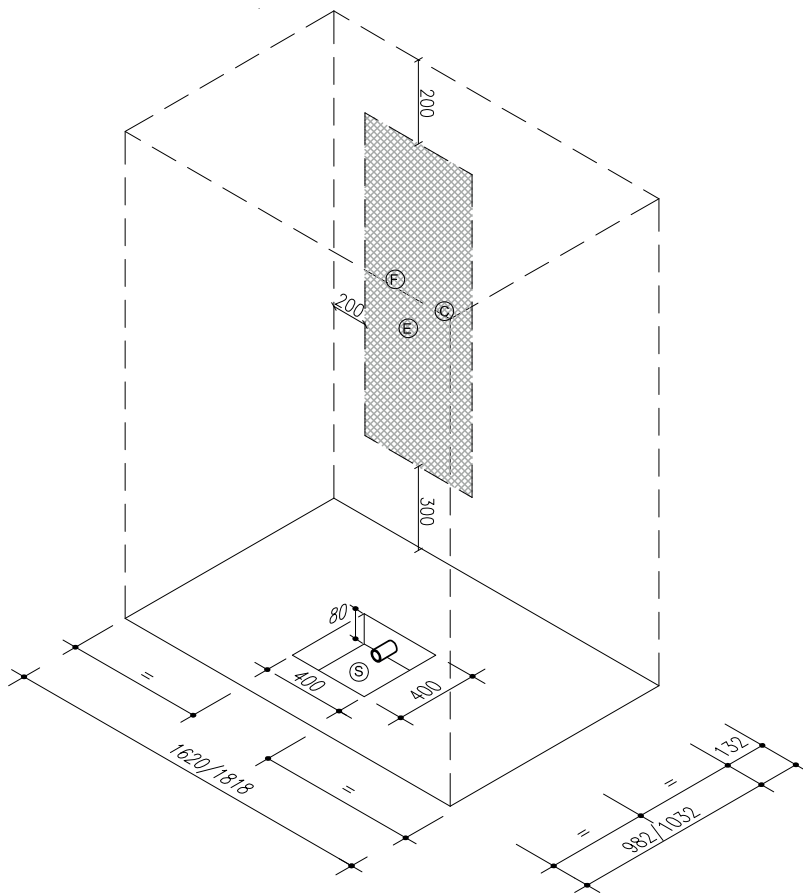
- Normal pressure at 3.5 bar.
- Min / Max network pressure from 2 to 5 bar.
- Hot water temperature at 60°C .
- Minimum water flow 12 l / min


The connection to the water network must be carried out in compliance with the provisions of the law and current regulations also concerning the pollution of water networks.

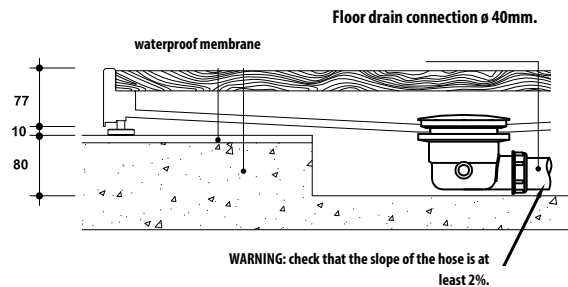
PRE-INSTALLATION SHEET

WELL BOX WIDE version SX

Art.:
 3B - 1620 x 982
 3B - 1620 x 1032
 3B - 1818 x 982
 3B - 1818 x 1032
 vers. C



- S** Double floor drain connection Ø40 mm
- E** Power supply 220V
- C** **F** Hot and cold water connection for 1/2" diameter taps
-  Suitable area for electrical connection.



ELECTRICAL SAFETY

The product assumes that the system to which the sauna is connected, and the room in which the product is installed, meet the safety requirements laid down by standards and laws, among which the following are particularly important:

- Have an efficient protection circuit (earthing);
- Have a highly sensitive differential protection device according to the output of the heat generator;
- Limitation of electrical devices in the zones (zones 0, 1, 2, 3) of the bathroom and equal potential of the same
- Provide a mains disconnection switch with contact opening < 3 mm and characteristics suitable for the sauna's rated data
- Provision of a suitable cable connection system in accordance with the installed power rating.
- Use of certified electrical material according to standard

220-240V power supply

HYDRAULIC SAFETY

Prepare the hot and cold water supply connections and the drain connection.

For the correct functioning of the turkish bath and the multifunctional systems the water system must have the following characteristics

- Normal pressure at 3.5 bar.
- Min / Max network pressure from 2 to 5 bar.
- Hot water temperature at 60 °C.
- Minimum water flow 12 l / min

The connection to the water network must be carried out in compliance with the provisions of the law and current regulations also concerning the pollution of water networks.

PRE-INSTALLATION SHEET

WELL BOX DOUBLE

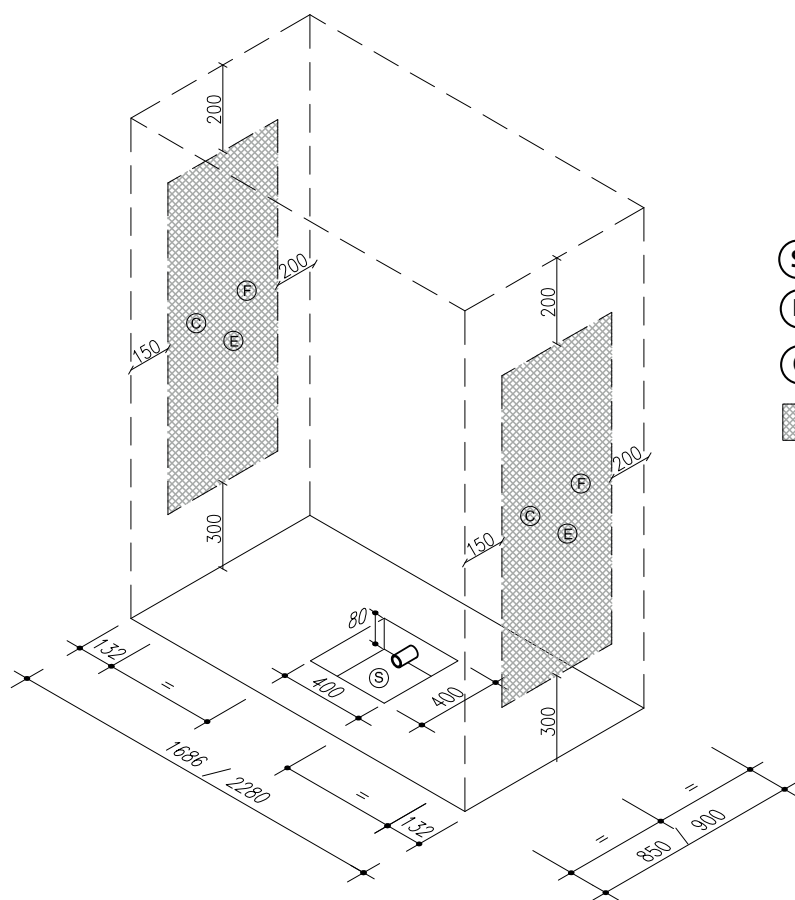
Art.:


2A - 1686 x 850

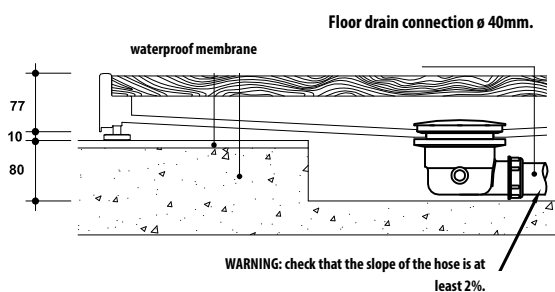
2A - 1686 x 900

2B - 2280 x 850

2B - 2280 x 900



- (S)** Double floor drain connection $\varnothing 40$ mm
- (E)** Power supply 220V
- (C) (F)** Hot and cold water connection for 1/2" diameter taps
-  Suitable area for electrical connection.



ELECTRICAL SAFETY

The product assumes that the system to which the sauna is connected, and the room in which the product is installed, meet the safety requirements laid down by standards and laws, among which the following are particularly important:

- Have an efficient protection circuit (earthing);
- Have a highly sensitive differential protection device according to the output of the heat generator;
- Limitation of electrical devices in the zones (zones 0, 1, 2, 3) of the bathroom and equal potential of the same
- Provide a mains disconnection switch with contact opening < 3 mm and characteristics suitable for the sauna's rated data
- Provision of a suitable cable connection system in accordance with the installed power rating.
- Use of certified electrical material according to standard

220-240V power supply

HYDRAULIC SAFETY

Prepare the hot and cold water supply connections and the drain connection.

For the correct functioning of the turkish bath and the multifunctional systems the water system must have the following characteristics

- Normal pressure at 3.5 bar.
- Min / Max network pressure from 2 to 5 bar.
- Hot water temperature at 60 ° C.
- Minimum water flow 12 l / min

The connection to the water network must be carried out in compliance with the provisions of the law and current regulations also concerning the pollution of water networks.

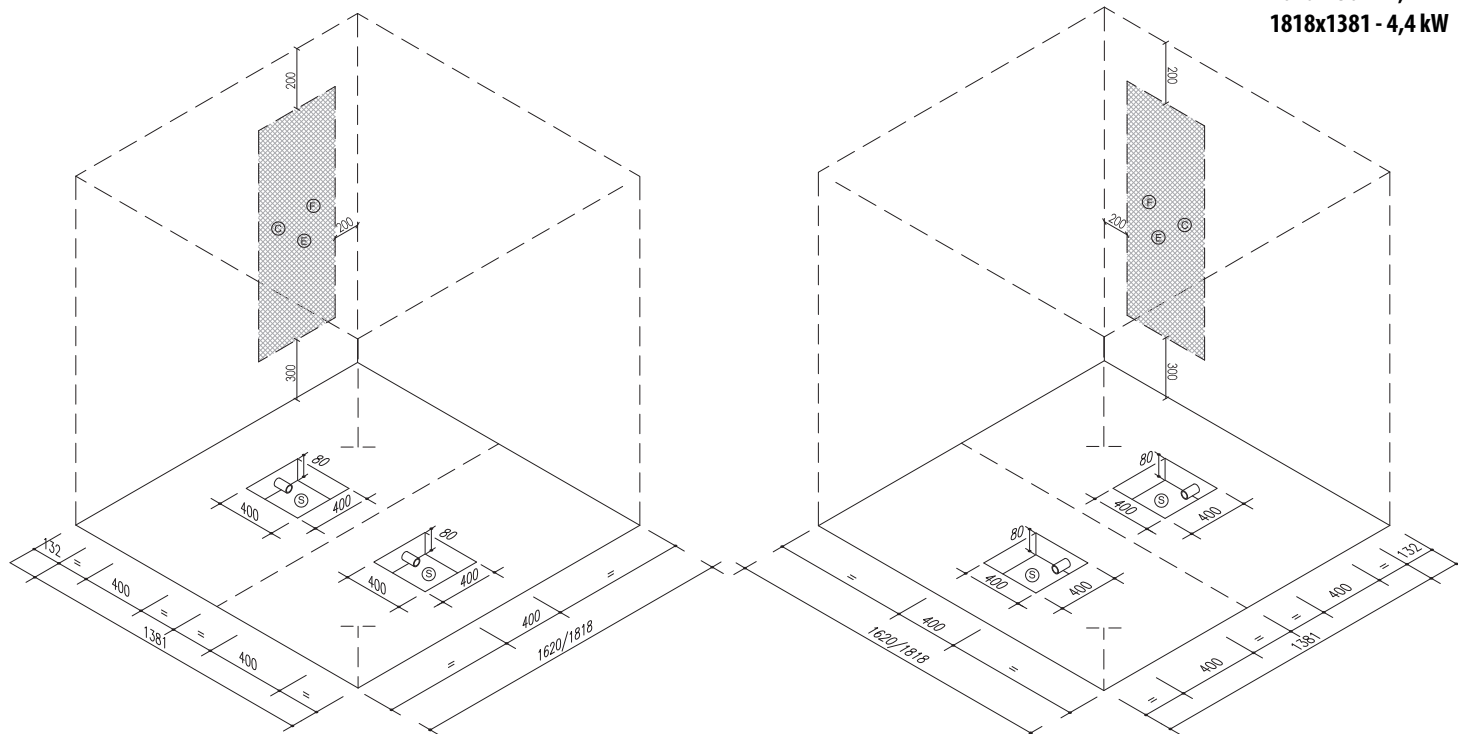
PRE-INSTALLATION SHEET


WELL BOX DOUBLE

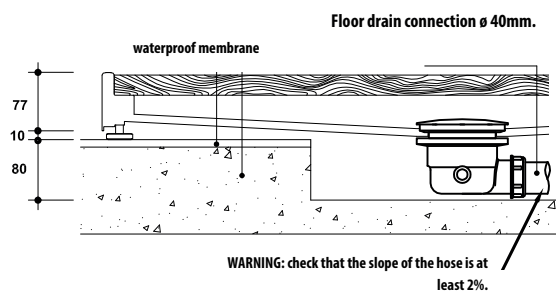
mod.:

1620x1381 - 4,4 kW

1818x1381 - 4,4 kW



- (S)** Double floor drain connection $\varnothing 40$ mm
- (E)** Power supply 220V
- (C)** **(F)** Hot and cold water connection for 1/2" diameter taps
-  Suitable area for electrical connection.



ELECTRICAL SAFETY

The product assumes that the system to which the sauna is connected, and the room in which the product is installed, meet the safety requirements laid down by standards and laws, among which the following are particularly important:

- Have an efficient protection circuit (earthing);
- Have a highly sensitive differential protection device according to the output of the heat generator;
- Limitation of electrical devices in the zones (zones 0, 1, 2, 3) of the bathroom and equal potential of the same
- Provide a mains disconnection switch with contact opening < 3 mm and characteristics suitable for the sauna's rated data
- Provision of a suitable cable connection system in accordance with the installed power rating.
- Use of certified electrical material according to standard

220-240V power supply

HYDRAULIC SAFETY

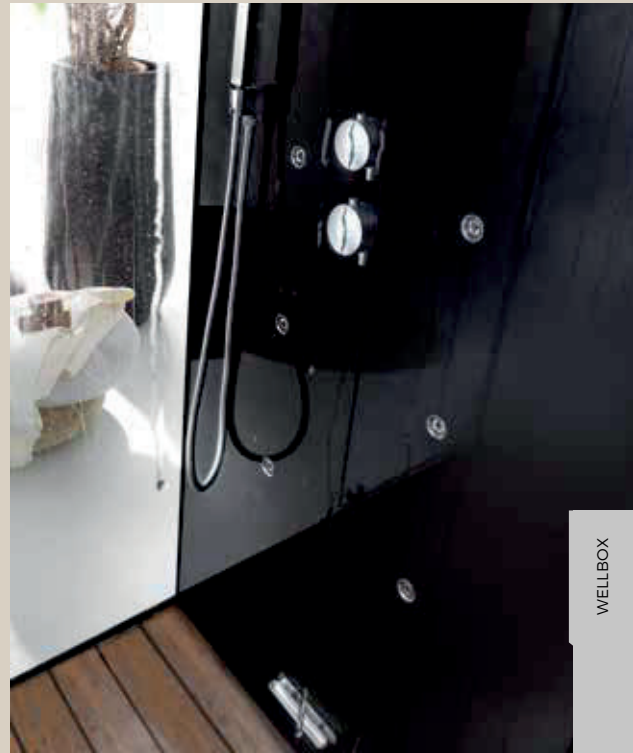
Prepare the hot and cold water supply connections and the drain connection.

For the correct functioning of the turkish bath and the multifunctional systems the water system must have the following characteristics

- Normal pressure at 3.5 bar.
- Min / Max network pressure from 2 to 5 bar.
- Hot water temperature at 60 ° C.
- Minimum water flow 12 l / min

The connection to the water network must be carried out in compliance with the provisions of the law and current regulations also concerning the pollution of water networks.

WELLBOX



WELLBOX



ZEN NUDE / SHOWER

The new Zen version is available in two variants **NUDE** and **SHOWER**:

- **NUDE**: a fully insulated environment, without a column or seat, designed for the installation of external steam generators.
- **SHOWER**: equipped with an integrated overhead showerhead, ideal for pre-existing wall setups.

Both variants adapt to various contexts thanks to the available configurations: corner, wall-mounted, or recessed, with the option to choose between hinged or sliding doors. The solutions can be installed directly on the floor, on a Megius shower tray, or on any other shower tray.

STYLE DETAILS



TECHNICAL FEATURES ZEN

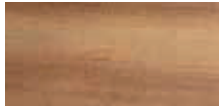
NUDE / SHOWER

GLASS FINISH



Transparent tempered glass "F"

SITTING



Wood Ash heat treated

PROFILE FINISHES



Matt White Aluminum "E"



Brushed Silver Aluminum "F"



Matt Black Aluminum "Z"



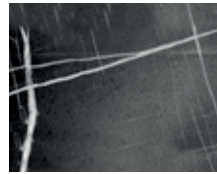
White "E"



Grey "G"



Black "Z"



Marquina Black "2"



White Marble "5"

STANDARD HEIGHT	h. 2086 mm
GLASS THICKNESS	6 mm
HANDLE HEIGHT	580 mm
NUMBER OF PEOPLE MAX.	2 (art. 1400x1000)
PROTECTIVE TREATMENT	included
DELIVERY TIME	4-5 weeks - * 2-3 weeks vers. corner
OPENING	pivot - sliding

NUDE
TECHNICAL SPECIFICATIONS
roof

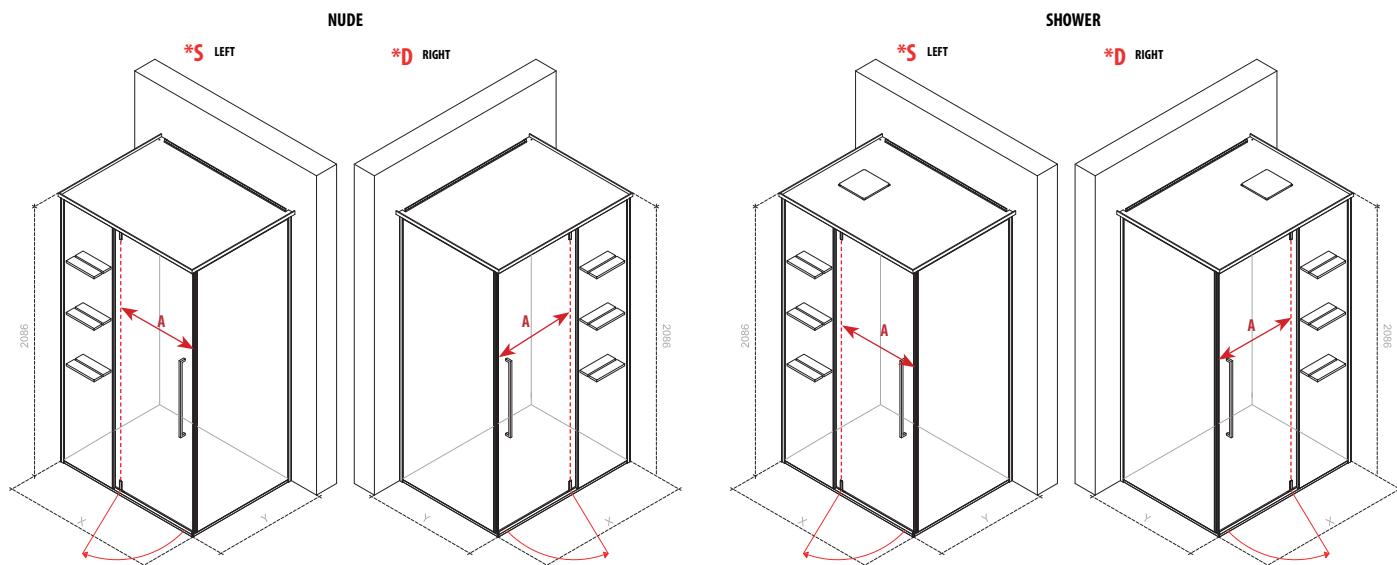
SHOWER
TECHNICAL SPECIFICATIONS
roof with 20x20 cm showerhead

OPTIONAL:

Shower tray
Partial or complete wall covering

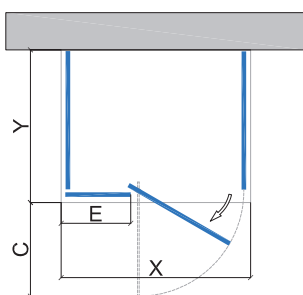
ZEN NUDE / SHOWER

TECHNICAL DRAWINGS

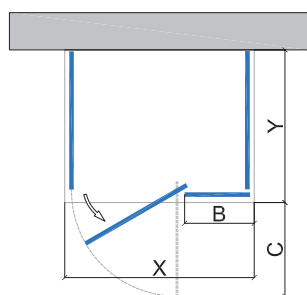


(X x Y) mm	(A) mm	(B) mm	(C) mm	m ³
1000x700	500	420	500	0,7
1000x800	500	420	500	0,8
1200x800	650	470	650	0,96
1400x800	750	570	750	1,12
1000x900	500	420	500	0,9
1200x900	650	470	650	1,08
1400x900	750	570	750	1,26
1400x1000	750	570	750	1,4

*S LEFT



*D RIGHT



*The new buttons on the column will be available from 05/2025.

GLASS FINISH



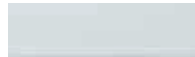
Transparent tempered glass "F"

SHELVES



Wood Ash heat treated

PROFILE FINISHES



Matt White Aluminum "E"



Matt Black Aluminum "Z"



Brushed Silver Aluminum "F"

ROOF



White "E"



Grey "G"



Black "Z"



White Marble "5" +5%
replace "Z_P_/EE" with "Z_P_/55"



Marquina Black "2" +5%
replace "ZKP_/ZZ" with "ZKP_/22"

PRICE LIST WITH POINTS

MEASURE	EXTENSIBILITY	CODE	PROFILES	ROOF	PRICE LIST WITH POINTS		
					NUDE - 1	SHOWER - 5	DELIVERY
1000X700	A: 98-100 B: 68-70	Z_P0107*/EEEF	MATT WHITE	WHITE	2.990	3.130	5-6 weeks
		Z_P0107*/ZZZF	MATT BLACK	BLACK	2.990	3.130	5-6 weeks
		Z_P0107*/FGGF	ALU. BRUSHED SILVER	GREY	2.990	3.130	5-6 weeks
1000X800	A: 98-100 B: 78-80	Z_P0108*/EEEF	MATT WHITE	WHITE	3.040	3.180	5-6 weeks
		Z_P0108*/ZZZF	MATT BLACK	BLACK	3.040	3.180	5-6 weeks
		Z_P0108*/FGGF	ALU. BRUSHED SILVER	GREY	3.040	3.180	5-6 weeks
1200X800	A: 118-120 B: 78-80	Z_P0128*/EEEF	MATT WHITE	WHITE	3.100	3.240	5-6 weeks
		Z_P0128*/ZZZF	MATT BLACK	BLACK	3.100	3.240	2-3 weeks
		Z_P0128*/FGGF	ALU. BRUSHED SILVER	GREY	3.100	3.240	5-6 weeks
1400X800	A: 138-140 B: 78-80	Z_P0148*/EEEF	MATT WHITE	WHITE	3.160	3.300	5-6 weeks
		Z_P0148*/ZZZF	MATT BLACK	BLACK	3.160	3.300	5-6 weeks
		Z_P0148*/FGGF	ALU. BRUSHED SILVER	GREY	3.160	3.300	5-6 weeks
1000X900	A: 98-100 B: 88-90	Z_P0109*/EEEF	MATT WHITE	WHITE	3.220	3.360	5-6 weeks
		Z_P0109*/ZZZF	MATT BLACK	BLACK	3.220	3.360	5-6 weeks
		Z_P0109*/FGGF	ALU. BRUSHED SILVER	GREY	3.220	3.360	5-6 weeks
1200X900	A: 118-120 B: 88-90	Z_P0129*/EEEF	MATT WHITE	WHITE	3.160	3.300	5-6 weeks
		Z_P0129*/ZZZF	MATT BLACK	BLACK	3.160	3.300	5-6 weeks
		Z_P0129*/FGGF	ALU. BRUSHED SILVER	GREY	3.160	3.300	5-6 weeks
1400X900	A: 138-140 B: 88-90	Z_P0149*/EEEF	MATT WHITE	WHITE	3.220	3.360	5-6 weeks
		Z_P0149*/ZZZF	MATT BLACK	BLACK	3.220	3.360	5-6 weeks
		Z_P0149*/FGGF	ALU. BRUSHED SILVER	GREY	3.220	3.360	5-6 weeks
1400X1000	A: 138-140 B: 98-100	Z_P0141*/EEEF	MATT WHITE	WHITE	3.290	3.430	5-6 weeks
		Z_P0141*/ZZZF	MATT BLACK	BLACK	3.290	3.430	5-6 weeks
		Z_P0141*/FGGF	ALU. BRUSHED SILVER	GREY	3.290	3.430	5-6 weeks

CUSTOMIZED SIZE:

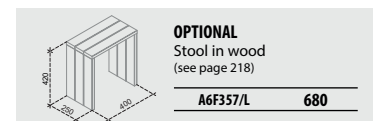
Width min. 1000 mm - depth min. 700 mm - height min. 1900 mm
Width max. 1800 mm - depth max. 1200 mm - height max. 2200 mm

· For intermediate special sizes consider the price of the next larger size + 5%
· For special measures higher feasibility and price on request

NUDE	SHOWER
TECHNICAL SPECIFICATIONS	TECHNICAL SPECIFICATIONS
roof	roof with 20x20 cm showerhead

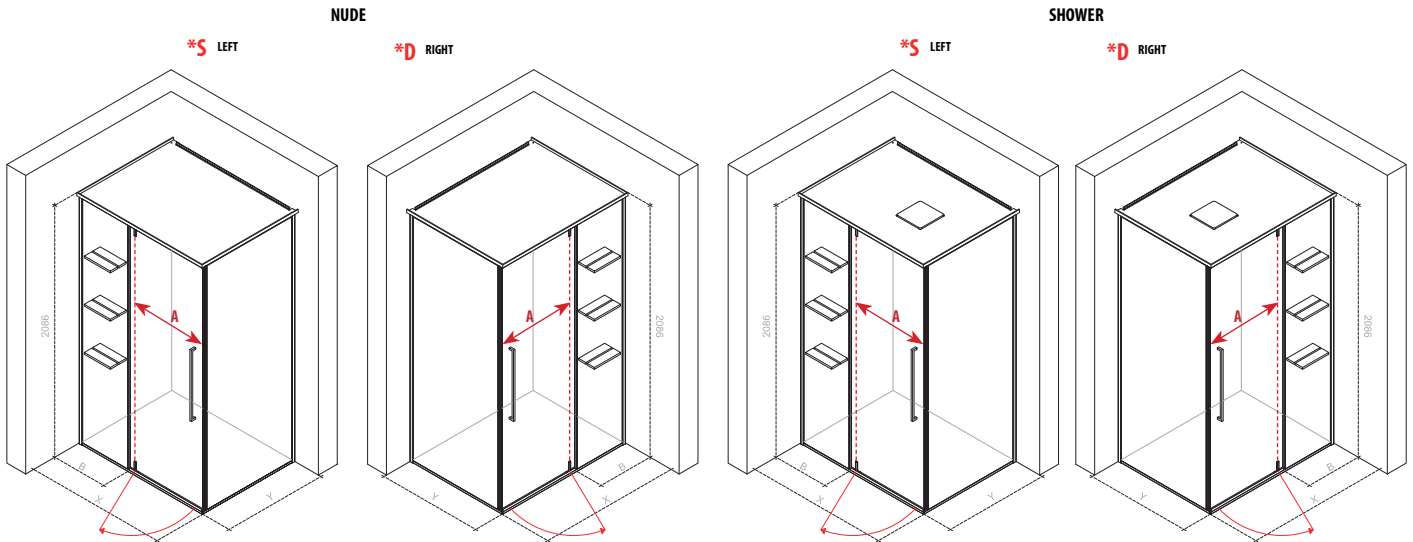
OPTIONAL	OPTIONAL
shower tray pag. 214	shower tray pag. 214
Steam-me pag. 174/176	Steam-me pag. 174/176
Steam-quadro pag. 173	Steam-quadro pag. 173
Steam-mistery pag. 170	Steam-mistery pag. 170
layer panel pag. 215	layer panel pag. 215
stool in thermally treated ash pag. 218	faucets pag. 192
	stool in thermally treated ash pag. 218

STANDARD HEIGHT	h. 2086 mm
GLASS THICKNESS	6 mm
HANDLE HEIGHT	580 mm
PROTECTIVE TREATMENT	included
WOODEN SHELVES	n°6 included

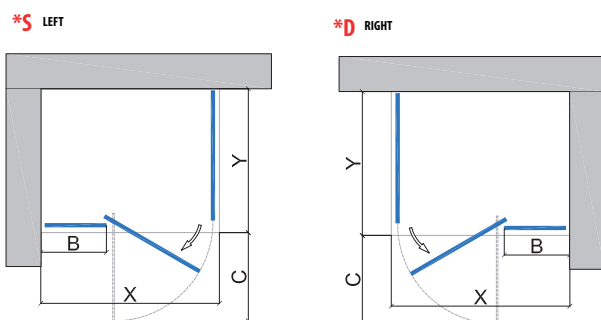


ZEN NUDE / SHOWER

TECHNICAL DRAWINGS



(X x Y) mm	(A) mm	(B) mm	(C) mm	m ³
1000x700	500	420	500	0,7
1000x800	500	420	500	0,8
1200x800	650	470	650	0,96
1400x800	750	570	750	1,12
1000x900	500	420	500	0,9
1200x900	650	470	650	1,08
1400x900	750	570	750	1,26
1400x1000	750	570	750	1,4



*The new buttons on the column will be available from 05/2025.

GLASS FINISH



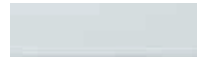
Transparent tempered glass "F"

SHELVES



Wood Ash heat treated

PROFILE FINISHES



Matt White Aluminum "E"



Matt Black Aluminum "Z"



Brushed Silver Aluminum "F"

ROOF



White "E"



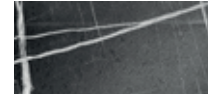
Grey "G"



Black "Z"



White Marble "5" +5%
replace "Z_A_/EE" with "Z_A_/55"



Marquina Black "2" +5%
replace "ZKP_/ZZ" with "ZKP_/22"

PRICE LIST WITH POINTS

MEASURE	EXTENSIBILITY	CODE	PROFILES	ROOF	NUDE - 1	SHOWER - 5	DELIVERY
1000X700	A: 98-100 B: 68-70	Z_A0107*/EEEF	MATT WHITE	WHITE	2.580	2.720	5-6 weeks
		Z_A0107*/ZZZF	MATT BLACK	BLACK	2.580	2.720	5-6 weeks
		Z_A0107*/FGGF	ALU. BRUSHED SILVER	GREY	2.580	2.720	5-6 weeks
1000X800	A: 98-100 B: 78-80	Z_A0108*/EEEF	MATT WHITE	WHITE	2.630	2.770	5-6 weeks
		Z_A0108*/ZZZF	MATT BLACK	BLACK	2.630	2.770	5-6 weeks
		Z_A0108*/FGGF	ALU. BRUSHED SILVER	GREY	2.630	2.770	5-6 weeks
1200X800	A: 118-120 B: 78-80	Z_A0128*/EEEF	MATT WHITE	WHITE	2.690	2.830	5-6 weeks
		Z_A0128*/ZZZF	MATT BLACK	BLACK	2.690	2.830	2-3 weeks
		Z_A0128*/FGGF	ALU. BRUSHED SILVER	GREY	2.690	2.830	5-6 weeks
1400X800	A: 138-140 B: 78-80	Z_A0148*/EEEF	MATT WHITE	WHITE	2.750	2.890	5-6 weeks
		Z_A0148*/ZZZF	MATT BLACK	BLACK	2.750	2.890	5-6 weeks
		Z_A0148*/FGGF	ALU. BRUSHED SILVER	GREY	2.750	2.890	5-6 weeks
1000X900	A: 98-100 B: 88-90	Z_A0109*/EEEF	MATT WHITE	WHITE	2.810	2.950	5-6 weeks
		Z_A0109*/ZZZF	MATT BLACK	BLACK	2.810	2.950	5-6 weeks
		Z_A0109*/FGGF	ALU. BRUSHED SILVER	GREY	2.810	2.950	5-6 weeks
1200X900	A: 118-120 B: 88-90	Z_A0129*/EEEF	MATT WHITE	WHITE	2.750	2.890	5-6 weeks
		Z_A0129*/ZZZF	MATT BLACK	BLACK	2.750	2.890	5-6 weeks
		Z_A0129*/FGGF	ALU. BRUSHED SILVER	GREY	2.750	2.890	5-6 weeks
1400X900	A: 138-140 B: 88-90	Z_A0149*/EEEF	MATT WHITE	WHITE	2.810	2.950	5-6 weeks
		Z_A0149*/ZZZF	MATT BLACK	BLACK	2.810	2.950	5-6 weeks
		Z_A0149*/FGGF	ALU. BRUSHED SILVER	GREY	2.810	2.950	5-6 weeks
1400X1000	A: 138-140 B: 98-100	Z_A0141*/EEEF	MATT WHITE	WHITE	2.880	3.020	5-6 weeks
		Z_A0141*/ZZZF	MATT BLACK	BLACK	2.880	3.020	5-6 weeks
		Z_A0141*/FGGF	ALU. BRUSHED SILVER	GREY	2.880	3.020	5-6 weeks

CUSTOMIZED SIZE:

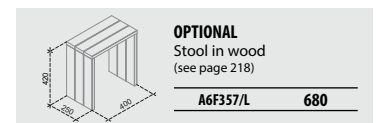
Width min. 1000 mm - depth min. 700 mm - height min. 1900 mm
Width max. 1800 mm - depth max. 1200 mm - height max. 2200 mm

· For intermediate special sizes consider the price of the next larger size + 5%
· For special measures higher feasibility and price on request

NUDE	SHOWER
TECHNICAL SPECIFICATIONS	TECHNICAL SPECIFICATIONS
roof	roof with 20x20 cm showerhead

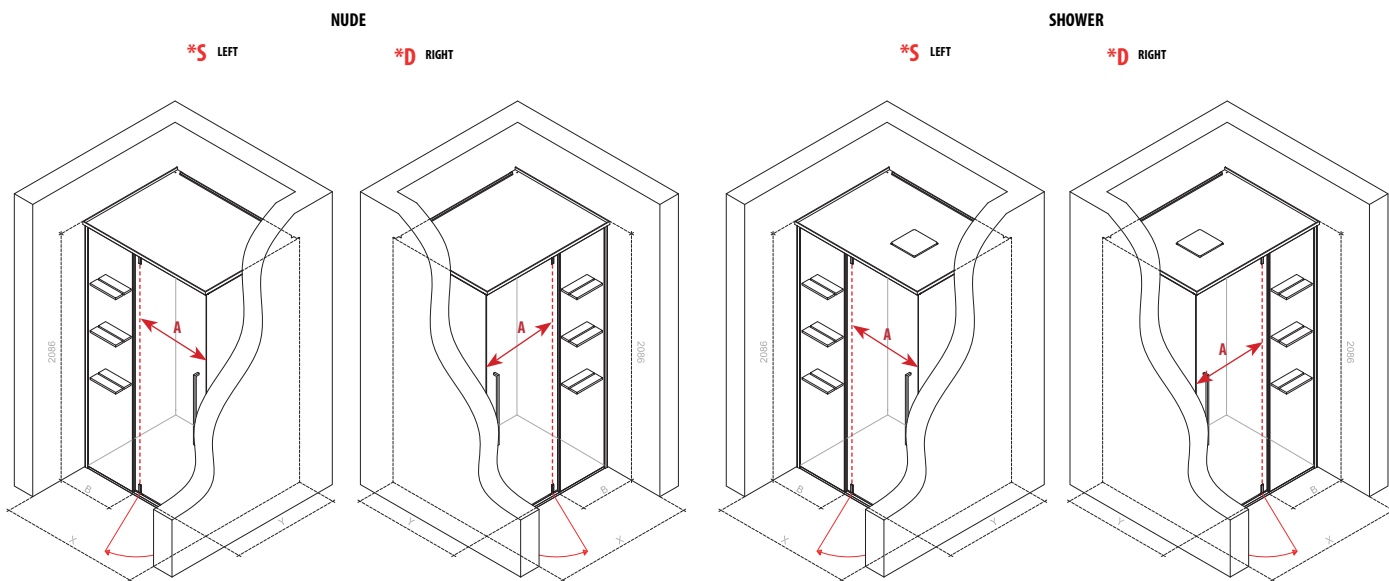
OPTIONAL	OPTIONAL
shower tray pag. 214	shower tray pag. 214
Steam-me pag. 174/176	Steam-me pag. 174/176
Steam-quadro pag. 173	Steam-quadro pag. 173
Steam-mistery pag. 170	Steam-mistery pag. 170
layer panel pag. 215	layer panel pag. 215
stool in thermally treated ash pag. 218	faucets pag. 192
	stool in thermally treated ash pag. 218

STANDARD HEIGHT	h. 2086 mm
GLASS THICKNESS	6 mm
HANDLE HEIGHT	580 mm
PROTECTIVE TREATMENT	included
WOODEN SHELVES	n°6 included

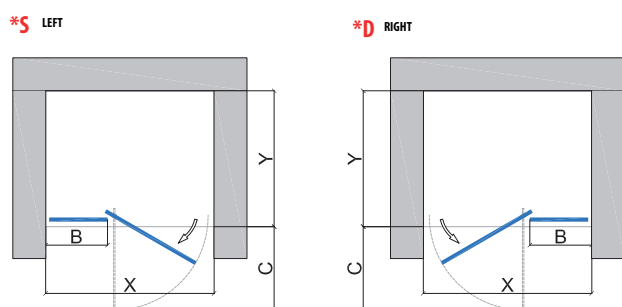


ZEN NUDE / SHOWER

TECHNICAL DRAWINGS



(X x Y) mm	(A) mm	(B) mm	(C) mm	m ³
1000x700	500	420	500	0,7
1000x800	500	420	500	0,8
1200x800	650	470	650	0,96
1400x800	750	570	750	1,12
1000x900	500	420	500	0,9
1200x900	650	470	650	1,08
1400x900	750	570	750	1,26
1400x1000	750	570	750	1,4



*The new buttons on the column will be available from 05/2025.

GLASS FINISH



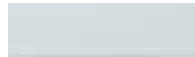
Transparent tempered glass "F"

SHELVES



Wood Ash heat treated

PROFILE FINISHES



Matt White Aluminum "E"



Matt Black Aluminum "Z"



Brushed Silver Aluminum "F"

ROOF



White "E"



Grey "G"



Black "Z"



White Marble "5" +5%
replace "Z_N_/EE" with "Z_N_/55"



Marquina Black "2" +5%
replace "ZKP_/ZZ" with "ZKP_/22"

PRICE LIST WITH POINTS

MEASURE	EXTENSIBILITY	CODE	PROFILES	ROOF	NUDE - 1	SHOWER - 2	DELIVERY
1000X700	A: 98-100 B: 68-70	Z_N0107*/EEEF	MATT WHITE	WHITE	2.180	2.320	5-6 weeks
		Z_N0107*/ZZZF	MATT BLACK	BLACK	2.180	2.320	5-6 weeks
		Z_N0107*/FGGF	ALU. BRUSHED SILVER	GREY	2.180	2.320	5-6 weeks
1000X800	A: 98-100 B: 78-80	Z_N0108*/EEEF	MATT WHITE	WHITE	2.230	2.370	5-6 weeks
		Z_N0108*/ZZZF	MATT BLACK	BLACK	2.230	2.370	5-6 weeks
		Z_N0108*/FGGF	ALU. BRUSHED SILVER	GREY	2.230	2.370	5-6 weeks
1200X800	A: 118-120 B: 78-80	Z_N0128*/EEEF	MATT WHITE	WHITE	2.290	2.430	5-6 weeks
		Z_N0128*/ZZZF	MATT BLACK	BLACK	2.290	2.430	2-3 weeks
		Z_N0128*/FGGF	ALU. BRUSHED SILVER	GREY	2.290	2.430	5-6 weeks
1400X800	A: 138-140 B: 78-80	Z_N0148*/EEEF	MATT WHITE	WHITE	2.350	2.490	5-6 weeks
		Z_N0148*/ZZZF	MATT BLACK	BLACK	2.350	2.490	5-6 weeks
		Z_N0148*/FGGF	ALU. BRUSHED SILVER	GREY	2.350	2.490	5-6 weeks
1000X900	A: 98-100 B: 88-90	Z_N0109*/EEEF	MATT WHITE	WHITE	2.410	2.550	5-6 weeks
		Z_N0109*/ZZZF	MATT BLACK	BLACK	2.410	2.550	5-6 weeks
		Z_N0109*/FGGF	ALU. BRUSHED SILVER	GREY	2.410	2.550	5-6 weeks
1200X900	A: 118-120 B: 88-90	Z_N0129*/EEEF	MATT WHITE	WHITE	2.350	2.490	5-6 weeks
		Z_N0129*/ZZZF	MATT BLACK	BLACK	2.350	2.490	5-6 weeks
		Z_N0129*/FGGF	ALU. BRUSHED SILVER	GREY	2.350	2.490	5-6 weeks
1400X900	A: 138-140 B: 88-90	Z_N0149*/EEEF	MATT WHITE	WHITE	2.410	2.550	5-6 weeks
		Z_N0149*/ZZZF	MATT BLACK	BLACK	2.410	2.550	5-6 weeks
		Z_N0149*/FGGF	ALU. BRUSHED SILVER	GREY	2.410	2.550	5-6 weeks
1400X1000	A: 138-140 B: 98-100	Z_N0141*/EEEF	MATT WHITE	WHITE	2.480	2.620	5-6 weeks
		Z_N0141*/ZZZF	MATT BLACK	BLACK	2.480	2.620	5-6 weeks
		Z_N0141*/FGGF	ALU. BRUSHED SILVER	GREY	2.480	2.620	5-6 weeks

CUSTOMIZED SIZE:

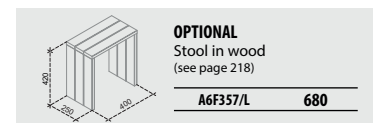
Width min. 1000 mm - depth min. 700 mm - height min. 1900 mm
Width max. 1800 mm - depth max. 1200 mm - height max. 2200 mm

- For intermediate special sizes consider the price of the next larger size + 5%
- For special measures higher feasibility and price on request

NUDE	SHOWER
TECHNICAL SPECIFICATIONS	TECHNICAL SPECIFICATIONS
roof	roof with 20x20 cm showerhead

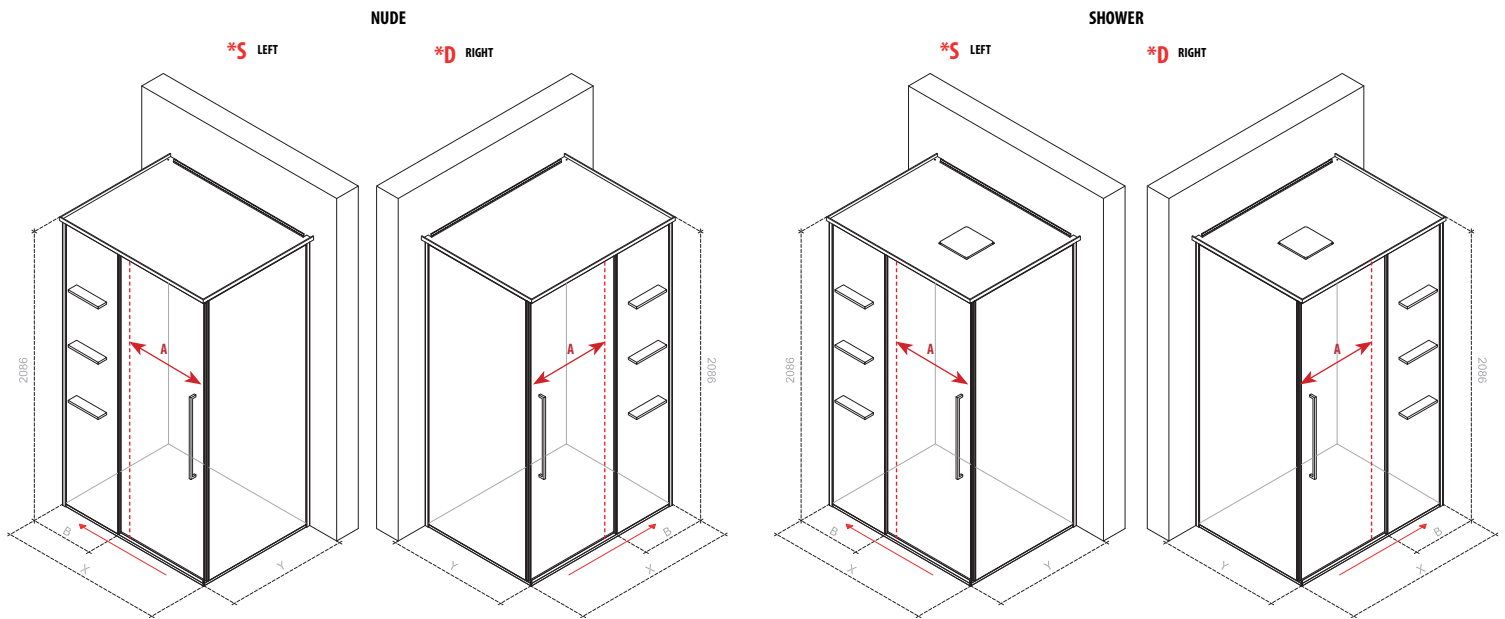
OPTIONAL	OPTIONAL
shower tray pag. 214	shower tray pag. 214
Steam-me pag. 174/176	Steam-me pag. 174/176
Steam-quadro pag. 173	Steam-quadro pag. 173
Steam-mistery pag. 170	Steam-mistery pag. 170
layer panel pag. 215	layer panel pag. 215
stool in thermally treated ash pag. 218	faucets pag. 192
	stool in thermally treated ash pag. 218

STANDARD HEIGHT	h. 2086 mm
GLASS THICKNESS	6 mm
HANDLE HEIGHT	580 mm
PROTECTIVE TREATMENT	included
WOODEN SHELVES	n°6 included

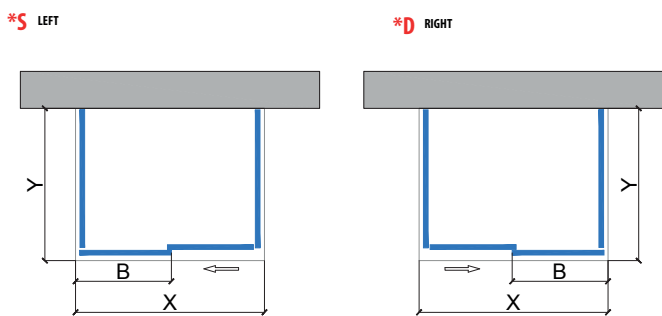


ZEN NUDE / SHOWER

TECHNICAL DRAWINGS



(X x Y) mm	(A) mm	(B) mm	m ³
1000x700	430	470	0,7
1000x800	430	470	0,8
1200x800	530	570	0,96
1400x800	630	670	1,12
1000x900	430	470	0,9
1200x900	530	570	1,08
1400x900	630	670	1,26
1400x1000	630	670	1,4



*The new buttons on the column will be available from 05/2025.

GLASS FINISH



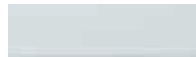
Transparent tempered glass "F"

SHELVES



Wood Ash heat treated

PROFILE FINISHES



Matt White Aluminum "E"



Matt Black Aluminum "Z"



Brushed Silver Aluminum "F"

ROOF



White "E"



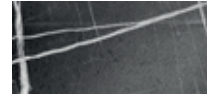
Grey "G"



Black "Z"



White Marble "5" +5%
replace "Z_P_/EE" with "Z_P_/55"



Marquina Black "2" +5%
replace "ZKP_/ZZ" with "ZKP_/22"

PRICE LIST WITH POINTS

MEASURE	EXTENSIBILITY	CODE	PROFILES	ROOF	PRICE LIST WITH POINTS		
					NUDE - 3	SHOWER - 4	DELIVERY
1000X700	A: 98 B: 68-70	Z_P107*/EEEF	MATT WHITE	WHITE	2.840	2.980	5-6 weeks
		Z_P107*/ZZZF	MATT BLACK	BLACK	2.840	2.980	5-6 weeks
		Z_P107*/FGGF	ALU. BRUSHED SILVER	GREY	2.840	2.980	5-6 weeks
1000X800	A: 98 B: 78-80	Z_P108*/EEEF	MATT WHITE	WHITE	2.890	3.030	5-6 weeks
		Z_P108*/ZZZF	MATT BLACK	BLACK	2.890	3.030	5-6 weeks
		Z_P108*/FGGF	ALU. BRUSHED SILVER	GREY	2.890	3.030	5-6 weeks
1200X800	A: 118 B: 78-80	Z_P128*/EEEF	MATT WHITE	WHITE	2.950	3.090	5-6 weeks
		Z_P128*/ZZZF	MATT BLACK	BLACK	2.950	3.090	2-3 weeks
		Z_P128*/FGGF	ALU. BRUSHED SILVER	GREY	2.950	3.090	5-6 weeks
1400X800	A: 138 B: 78-80	Z_P148*/EEEF	MATT WHITE	WHITE	3.010	3.150	5-6 weeks
		Z_P148*/ZZZF	MATT BLACK	BLACK	3.010	3.150	5-6 weeks
		Z_P148*/FGGF	ALU. BRUSHED SILVER	GREY	3.010	3.150	5-6 weeks
1000X900	A: 98 B: 88-90	Z_P109*/EEEF	MATT WHITE	WHITE	3.070	3.210	5-6 weeks
		Z_P109*/ZZZF	MATT BLACK	BLACK	3.070	3.210	5-6 weeks
		Z_P109*/FGGF	ALU. BRUSHED SILVER	GREY	3.070	3.210	5-6 weeks
1200X900	A: 118 B: 88-90	Z_P129*/EEEF	MATT WHITE	WHITE	3.010	3.150	5-6 weeks
		Z_P129*/ZZZF	MATT BLACK	BLACK	3.010	3.150	5-6 weeks
		Z_P129*/FGGF	ALU. BRUSHED SILVER	GREY	3.010	3.150	5-6 weeks
1400X900	A: 138 B: 88-90	Z_P149*/EEEF	MATT WHITE	WHITE	3.070	3.210	5-6 weeks
		Z_P149*/ZZZF	MATT BLACK	BLACK	3.070	3.210	5-6 weeks
		Z_P149*/FGGF	ALU. BRUSHED SILVER	GREY	3.070	3.210	5-6 weeks
1400X1000	A: 138 B: 98-100	Z_P141*/EEEF	MATT WHITE	WHITE	3.140	3.280	5-6 weeks
		Z_P141*/ZZZF	MATT BLACK	BLACK	3.140	3.280	5-6 weeks
		Z_P141*/FGGF	ALU. BRUSHED SILVER	GREY	3.140	3.280	5-6 weeks

CUSTOMIZED SIZE:

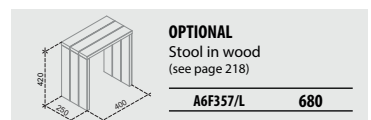
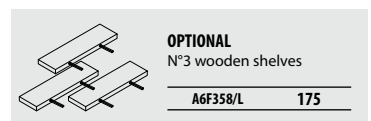
Width min. 1000 mm - depth min. 700 mm - height min. 1900 mm
Width max. 1800 mm - depth max. 1200 mm - height max. 2200 mm

· For intermediate special sizes consider the price of the next larger size + 5%
· For special measures higher feasibility and price on request

NUDE	SHOWER
TECHNICAL SPECIFICATIONS	TECHNICAL SPECIFICATIONS
roof	roof with 20x20 cm showerhead

OPTIONAL	OPTIONAL
shower tray pag. 214	shower tray pag. 214
Steam-me pag. 174/176	Steam-me pag. 174/176
Steam-quadro pag. 173	Steam-quadro pag. 173
Steam-mistery pag. 170	Steam-mistery pag. 170
layer panel pag. 215	layer panel pag. 215
stool in thermally treated ash pag. 218	faucets pag. 192
	stool in thermally treated ash pag. 218

STANDARD HEIGHT	h. 2086 mm
GLASS THICKNESS	6 mm
HANDLE HEIGHT	580 mm
PROTECTIVE TREATMENT	included
WOODEN SHELVES	n°3 included



ZEN NUDE / SHOWER

TECHNICAL DRAWINGS

NUDE

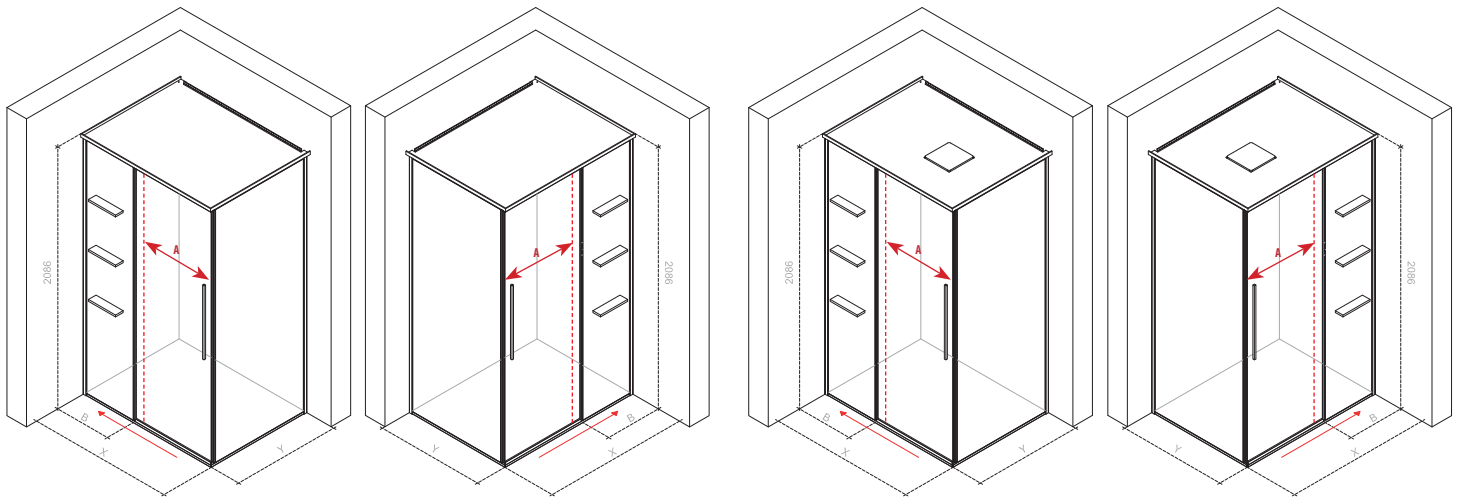
SHOWER

*S LEFT

*D RIGHT

*S LEFT

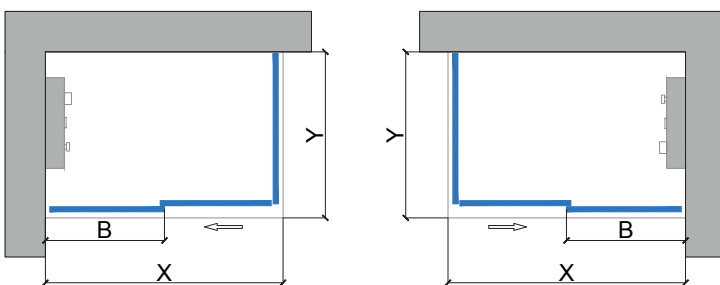
*D RIGHT



(X x Y) mm	(A) mm	(B) mm	m ³
1000x700	430	470	0,7
1000x800	430	470	0,8
1200x800	530	570	0,96
1400x800	630	670	1,12
1000x900	430	470	0,9
1200x900	530	570	1,08
1400x900	630	670	1,26
1400x1000	630	670	1,4

*S LEFT

*D RIGHT



*The new buttons on the column will be available from 05/2025.

GLASS FINISH



Transparent tempered glass "F"

SHELVES



Wood Ash heat treated

PROFILE FINISHES



Matt White Aluminum "E"



Matt Black Aluminum "Z"



Brushed Silver Aluminum "F"

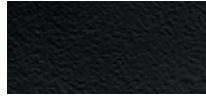
ROOF



White "E"



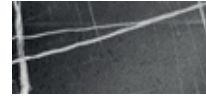
Grey "G"



Black "Z"



White Marble "5" +5%
replace "Z_A_/EE" with "Z_A_/55"



Marquina Black "2" +5%
replace "ZKP_/ZZ" with "ZKP_/22"

PRICE LIST WITH POINTS

MEASURE	EXTENSIBILITY	CODE	PROFILES	ROOF	NUDE - 3	SHOWER - 4	DELIVERY
1000X700	A: 98-100 B: 68-70	Z_A107*/E/EEF	MATT WHITE	WHITE	2.390	2.530	5-6 weeks
		Z_A107*/Z/ZZF	MATT BLACK	BLACK	2.390	2.530	5-6 weeks
		Z_A107*/F/GGF	ALU. BRUSHED SILVER	GREY	2.390	2.530	5-6 weeks
1000X800	A: 98-100 B: 78-80	Z_A108*/E/EEF	MATT WHITE	WHITE	2.440	2.580	5-6 weeks
		Z_A108*/Z/ZZF	MATT BLACK	BLACK	2.440	2.580	5-6 weeks
		Z_A108*/F/GGF	ALU. BRUSHED SILVER	GREY	2.440	2.580	5-6 weeks
1200X800	A: 118-120 B: 78-80	Z_A128*/E/EEF	MATT WHITE	WHITE	2.500	2.640	5-6 weeks
		Z_A128*/Z/ZZF	MATT BLACK	BLACK	2.500	2.640	2-3 weeks
		Z_A128*/F/GGF	ALU. BRUSHED SILVER	GREY	2.500	2.640	5-6 weeks
1400X800	A: 138-140 B: 78-80	Z_A148*/E/EEF	MATT WHITE	WHITE	2.560	2.700	5-6 weeks
		Z_A148*/Z/ZZF	MATT BLACK	BLACK	2.560	2.700	5-6 weeks
		Z_A148*/F/GGF	ALU. BRUSHED SILVER	GREY	2.560	2.700	5-6 weeks
1000X900	A: 98-100 B: 88-90	Z_A109*/E/EEF	MATT WHITE	WHITE	2.620	2.760	5-6 weeks
		Z_A109*/Z/ZZF	MATT BLACK	BLACK	2.620	2.760	5-6 weeks
		Z_A109*/F/GGF	ALU. BRUSHED SILVER	GREY	2.620	2.760	5-6 weeks
1200X900	A: 118-120 B: 88-90	Z_A129*/E/EEF	MATT WHITE	WHITE	2.560	2.700	5-6 weeks
		Z_A129*/Z/ZZF	MATT BLACK	BLACK	2.560	2.700	5-6 weeks
		Z_A129*/F/GGF	ALU. BRUSHED SILVER	GREY	2.560	2.700	5-6 weeks
1400X900	A: 138-140 B: 88-90	Z_A149*/E/EEF	MATT WHITE	WHITE	2.620	2.760	5-6 weeks
		Z_A149*/Z/ZZF	MATT BLACK	BLACK	2.620	2.760	5-6 weeks
		Z_A149*/F/GGF	ALU. BRUSHED SILVER	GREY	2.620	2.760	5-6 weeks
1400X1000	A: 138-140 B: 98-100	Z_A141*/E/EEF	MATT WHITE	WHITE	2.690	2.830	5-6 weeks
		Z_A141*/Z/ZZF	MATT BLACK	BLACK	2.690	2.830	5-6 weeks
		Z_A141*/F/GGF	ALU. BRUSHED SILVER	GREY	2.690	2.830	5-6 weeks

CUSTOMIZED SIZE:

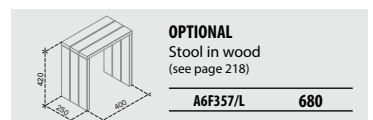
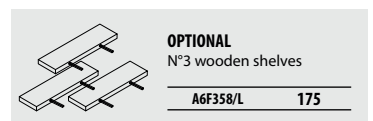
Width min. 1000 mm - depth min. 700 mm - height min. 1900 mm
Width max. 1800 mm - depth max. 1200 mm - height max. 2200 mm

- For intermediate special sizes consider the price of the next larger size + 5%
- For special measures higher feasibility and price on request

NUDE	SHOWER
TECHNICAL SPECIFICATIONS	TECHNICAL SPECIFICATIONS
roof	roof with 20x20 cm showerhead

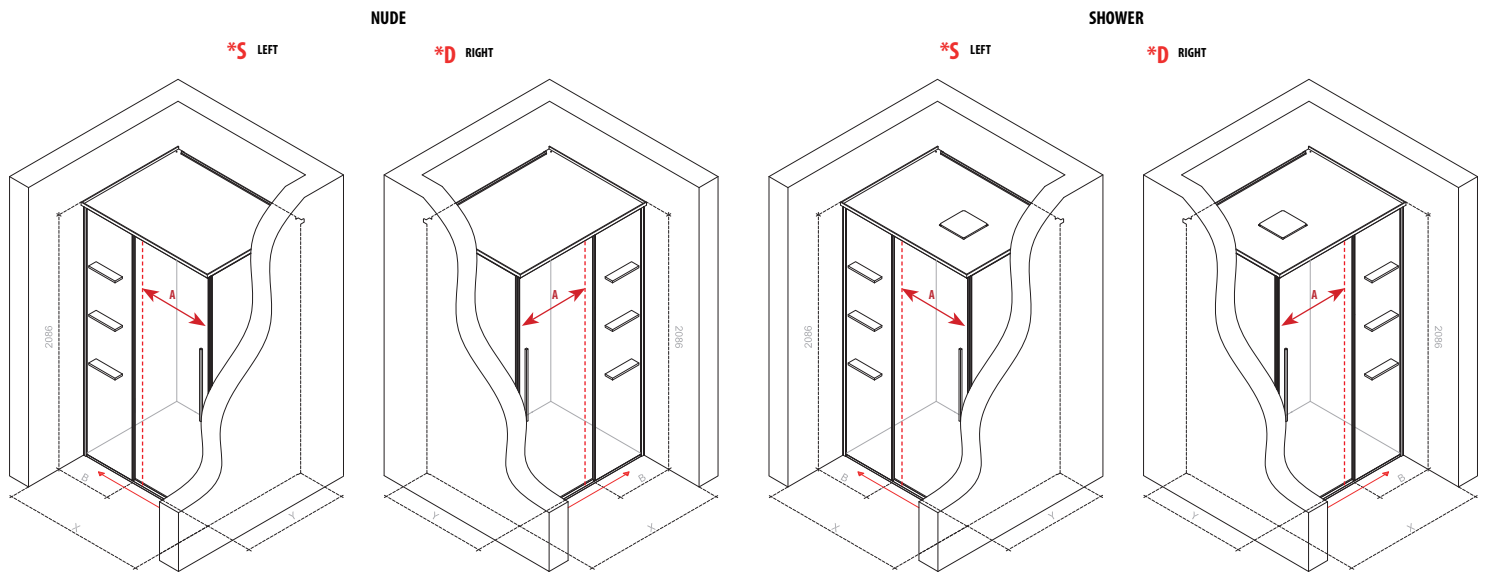
OPTIONAL	OPTIONAL
shower tray pag. 214	shower tray pag. 214
Steam-me pag. 174/176	Steam-me pag. 174/176
Steam-quadro pag. 173	Steam-quadro pag. 173
Steam-mistery pag. 170	Steam-mistery pag. 170
layer panel pag. 215	layer panel pag. 215
stool in thermally treated ash pag. 218	faucets pag. 192
	stool in thermally treated ash pag. 218

STANDARD HEIGHT	h. 2086 mm
GLASS THICKNESS	6 mm
HANDLE HEIGHT	580 mm
PROTECTIVE TREATMENT	included
WOODEN SHELVES	n°3 included

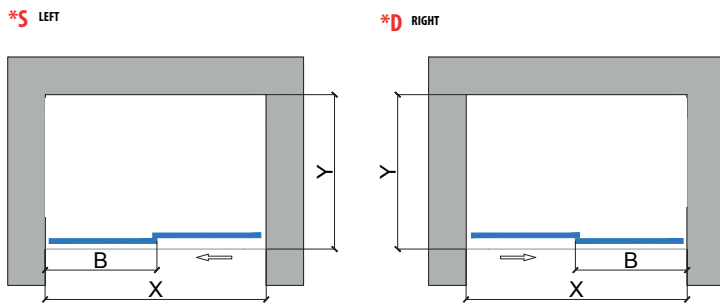


ZEN NUDE / SHOWER

TECHNICAL DRAWINGS



(XxY) mm	(A) mm	(B) mm	m ³
1000x700	430	470	0,7
1000x800	430	470	0,8
1200x800	530	570	0,96
1400x800	630	670	1,12
1000x900	430	470	0,9
1200x900	530	570	1,08
1400x900	630	670	1,26
1400x1000	630	670	1,4



*The new buttons on the column will be available from 05/2025.

GLASS FINISH



Transparent tempered glass "F"

SHELVES



Wood Ash heat treated

PROFILE FINISHES



Matt White Aluminum "E"



Matt Black Aluminum "Z"



Brushed Silver Aluminum "F"

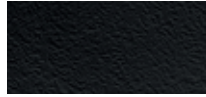
ROOF



White "E"



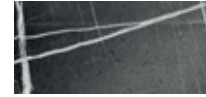
Grey "G"



Black "Z"



White Marble "5" +5%
replace "Z_N_/EE" with "Z_N_/55"



Marquina Black "2" +5%
replace "ZKP_/ZZ" with "ZKP_/22"

PRICE LIST WITH POINTS

MEASURE	EXTENSIBILITY	CODE	PROFILES	ROOF	NUDE - 3	SHOWER - 4	DELIVERY
1000X700	A: 97 - 100 B: 68	Z_N107*/EEEF	MATT WHITE	WHITE	2.030	2.170	5-6 weeks
		Z_N107*/ZZZF	MATT BLACK	BLACK	2.030	2.170	5-6 weeks
		Z_N107*/FGGF	ALU. BRUSHED SILVER	GREY	2.030	2.170	5-6 weeks
1000X800	A: 97 - 100 B: 78	Z_N108*/EEEF	MATT WHITE	WHITE	2.080	2.220	5-6 weeks
		Z_N108*/ZZZF	MATT BLACK	BLACK	2.080	2.220	5-6 weeks
		Z_N108*/FGGF	ALU. BRUSHED SILVER	GREY	2.080	2.220	5-6 weeks
1200X800	A: 117 - 120 B: 78	Z_N128*/EEEF	MATT WHITE	WHITE	2.140	2.280	5-6 weeks
		Z_N128*/ZZZF	MATT BLACK	BLACK	2.140	2.280	2-3 weeks
		Z_N128*/FGGF	ALU. BRUSHED SILVER	GREY	2.140	2.280	5-6 weeks
1400X800	A: 137 - 140 B: 78	Z_N148*/EEEF	MATT WHITE	WHITE	2.200	2.340	5-6 weeks
		Z_N148*/ZZZF	MATT BLACK	BLACK	2.200	2.340	5-6 weeks
		Z_N148*/FGGF	ALU. BRUSHED SILVER	GREY	2.200	2.340	5-6 weeks
1000X900	A: 97 - 100 B: 88	Z_N109*/EEEF	MATT WHITE	WHITE	2.260	2.400	5-6 weeks
		Z_N109*/ZZZF	MATT BLACK	BLACK	2.260	2.400	5-6 weeks
		Z_N109*/FGGF	ALU. BRUSHED SILVER	GREY	2.260	2.400	5-6 weeks
1200X900	A: 117 - 120 B: 88	Z_N129*/EEEF	MATT WHITE	WHITE	2.200	2.340	5-6 weeks
		Z_N129*/ZZZF	MATT BLACK	BLACK	2.200	2.340	5-6 weeks
		Z_N129*/FGGF	ALU. BRUSHED SILVER	GREY	2.200	2.340	5-6 weeks
1400X900	A: 137 - 140 B: 88	Z_N149*/EEEF	MATT WHITE	WHITE	2.260	2.400	5-6 weeks
		Z_N149*/ZZZF	MATT BLACK	BLACK	2.260	2.400	5-6 weeks
		Z_N149*/FGGF	ALU. BRUSHED SILVER	GREY	2.260	2.400	5-6 weeks
1400X1000	A: 137 - 140 B: 98	Z_N141*/EEEF	MATT WHITE	WHITE	2.330	2.470	5-6 weeks
		Z_N141*/ZZZF	MATT BLACK	BLACK	2.330	2.470	5-6 weeks
		Z_N141*/FGGF	ALU. BRUSHED SILVER	GREY	2.330	2.470	5-6 weeks

CUSTOMIZED SIZE:

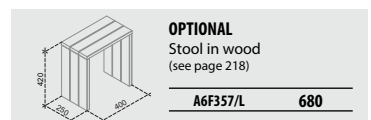
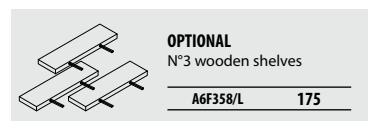
Width min. 1000 mm - depth min. 700 mm - height min. 1900 mm
Width max. 1800 mm - depth max. 1200 mm - height max. 2200 mm

- For intermediate special sizes consider the price of the next larger size + 5%
- For special measures higher feasibility and price on request

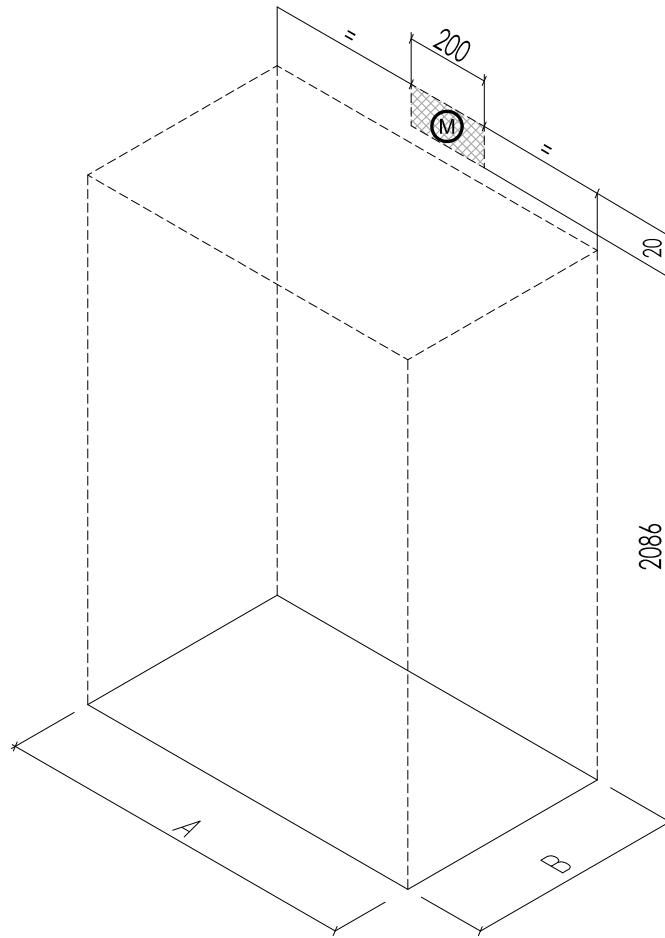
NUDE	SHOWER
TECHNICAL SPECIFICATIONS	TECHNICAL SPECIFICATIONS
roof	roof with 20x20 cm showerhead

OPTIONAL	OPTIONAL
shower tray pag. 214	shower tray pag. 214
Steam-me pag. 174/176	Steam-me pag. 174/176
Steam-quadro pag. 173	Steam-quadro pag. 173
Steam-mistery pag. 170	Steam-mistery pag. 170
layer panel pag. 215	layer panel pag. 215
stool in thermally treated ash pag. 218	faucets pag. 192
	stool in thermally treated ash pag. 218

STANDARD HEIGHT	h. 2086 mm
GLASS THICKNESS	6 mm
HANDLE HEIGHT	580 mm
PROTECTIVE TREATMENT	included
WOODEN SHELVES	n°3 included



PRE-INSTALLATION SHEET



Suitable area for electrical connection.

(A x B) mm
1000x700
1000x800
1200x800
1400x800
1000x900
1200x900
1400x900
1400x1000

HYDRAULIC SAFETY

Prepare the hot and cold water supply connections and the drain connection.

For the correct functioning of systems the water system must have the following characteristics

- Normal pressure at 3.5 bar.
- Min / Max network pressure from 2 to 5 bar.
- Hot water temperature at 60 °C.
- Minimum water flow 12 l / min

The connection to the water network must be carried out in compliance with the provisions of the law and current regulations also concerning the pollution of water networks.

ZEN NUDE / SHOWER



ZEN
NUDE / SHOWER



ZEN

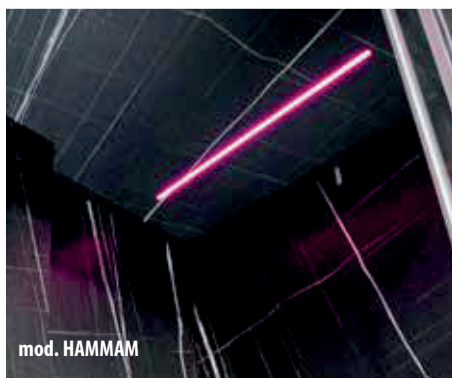
IDRO / HAMMAM

Zen, “the impossible shower”, has also arrived in the Wellness world with two new products: **Zen Idro** and **Zen Hammam**

Both models can be adapted to different environments: corner, wall, or niche solutions with a central hinged door are available.

The solutions can be installed on the floor, on Megius' Technart shower tray, or any shower tray.

STYLE DETAILS



TECHNICAL FEATURES ZEN

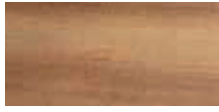
IDRO / HAMMAM

GLASS FINISH



Transparent tempered glass "F"

SITTING & SHELVES



Wood Ash heat treated

PROFILE FINISHES



Matt White Aluminum "E"



Brushed Silver Aluminum "F"



Matt Black Aluminum "Z"



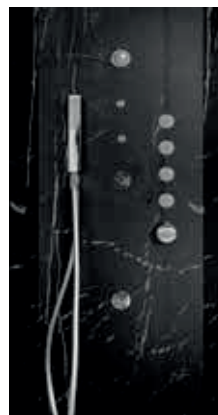
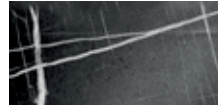
White "E"



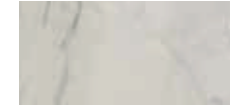
Grey "G"



Black "Z"



Marquina Black "2"



White Marble "5"

STANDARD HEIGHT	h. 2086 mm
GLASS THICKNESS	6 mm
HANDLE HEIGHT	580 mm
POWER SUPPLY	220V Single-phase
NUMBER OF PEOPLE MAX.	2 (art. 1400x1000)
LIGHTING	Strip Led RGB - vers. HAMMAM
PROTECTIVE TREATMENT	included
DELIVERY TIME	4-5 weeks - * 2-3 weeks vers. corner
OPENING	pivot - sliding
COLUMN POSITIONS	long side - short side
4-WAY THERMOSTATIC MIXER	included

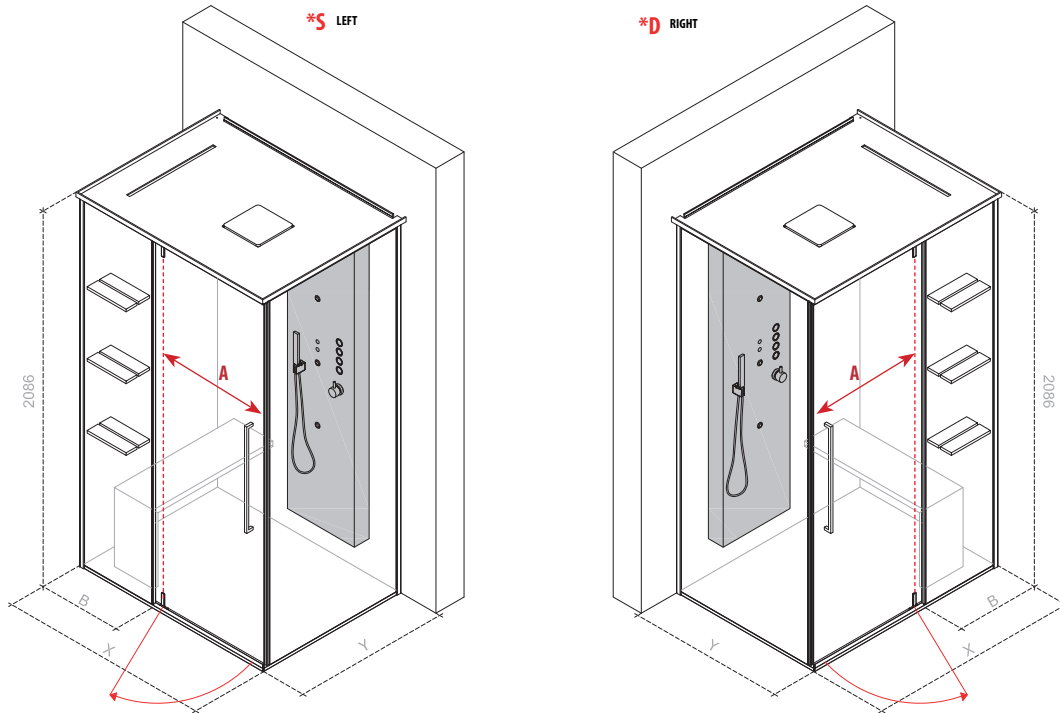
OPTIONAL:

Shower tray
 Partial or complete wall covering
 Music therapy system (1 loudspeaker)
 Taps in matt black finish

IDRO
FUNCTIONS
multifunction shower head 20x20 cm
dorsal hydrojets
blade of water
hand shower

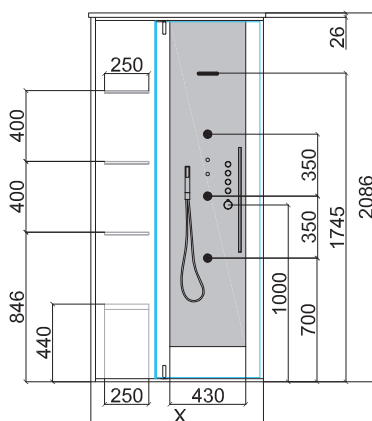
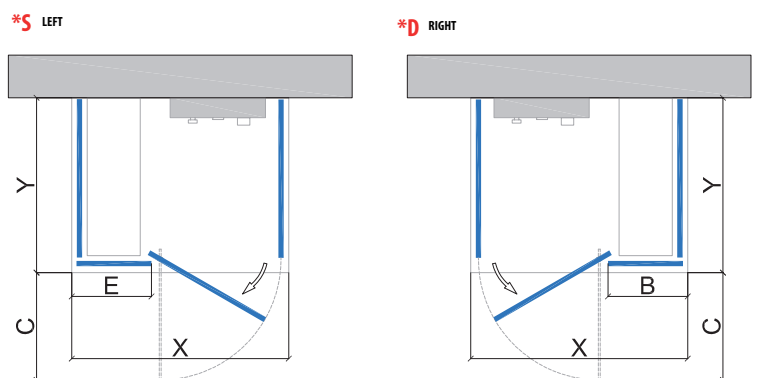
HAMMAM
FUNCTIONS
multifunction shower head 20x20 cm
1 Strip Led rgb
dorsal hydrojets
Turkish bath on / off button
blade of water
hand shower

TECHNICAL DRAWINGS



(XxY) mm	(A) mm	(B) mm	(C) mm	kW
1000x700	500	420	500	2.50 kW
1000x800	500	420	500	2.50 kW
1200x800	650	470	650	2.50 kW
1400x800	750	570	750	3.50 kW
1000x900	500	420	500	2.50 kW
1200x900	650	470	650	3.50 kW
1400x900	750	570	750	3.50 kW
1400x1000	750	570	750	3.50 kW

STANDARD HEIGHT	h. 2086 mm
GLASS THICKNESS	6 mm
HANDLE HEIGHT	580 mm
PROTECTIVE TREATMENT	included
WOODEN SEAT	included
WOODEN SHELVES	n°6 included



OPTIONS	COD.	
Supplementary pre-installation kit for touch display	A6F418	85

*The new buttons on the column will be available from 05/2025.

GLASS FINISH



Transparent tempered glass "F"

SITTING & SHELVES



Wood Ash heat treated

PROFILE FINISHES



Matt White Aluminum "E"



Matt Black Aluminum "Z"



Brushed Silver Aluminum "F"

ROOF AND TECHNICAL DOOR



White "E"



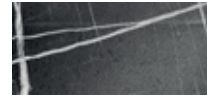
White Marble "5" +5%
replace "Z_P_/EE_F" with "Z_P_/SS_F"



Grey "G"



Black "Z"



Marquina Black "2" +5%
replace "ZKP_/ZZ_F" with "ZKP_/ZZ_F"

PRICE LIST WITH POINTS

MEASURE	EXTENSIBILITY	KW. HAMMAM	CODE	PROFILES	ROOF	TECHNICAL DOOR	IDRO - I	IDRO/HAMMAM - H	DELIVERY
1000X700	A: 98 B: 68-70	2,50 kW	Z_P107*/EEAF	MATT WHITE	WHITE	WHITE	5.053	6.164	5-6 weeks
			Z_P107*/ZZAF	MATT BLACK	BLACK	BLACK	5.053	6.164	5-6 weeks
			Z_P107*/FGGAF	ALU. BRUSHED SILVER	GREY	GREY	5.053	6.164	5-6 weeks
1000X800	A: 98 B: 78-80	2,50 kW	Z_P108*/EEAF	MATT WHITE	WHITE	WHITE	5.122	6.393	5-6 weeks
			Z_P108*/ZZAF	MATT BLACK	BLACK	BLACK	5.122	6.393	5-6 weeks
			Z_P108*/FGGAF	ALU. BRUSHED SILVER	GREY	GREY	5.122	6.393	5-6 weeks
1200X800	A: 118 B: 78-80	2,50 kW	Z_P128*/EEAF	MATT WHITE	WHITE	WHITE	5.202	6.475	5-6 weeks
			Z_P128*/ZZAF	MATT BLACK	BLACK	BLACK	5.202	6.475	2-3 weeks
			Z_P128*/FGGAF	ALU. BRUSHED SILVER	GREY	GREY	5.202	6.475	5-6 weeks
1400X800	A: 138 B: 78-80	3,50 kW	Z_P148*/EEAF	MATT WHITE	WHITE	WHITE	5.293	6.566	5-6 weeks
			Z_P148*/ZZAF	MATT BLACK	BLACK	BLACK	5.293	6.566	5-6 weeks
			Z_P148*/FGGAF	ALU. BRUSHED SILVER	GREY	GREY	5.293	6.566	5-6 weeks
1000X900	A: 98 B: 88-90	2,50 kW	Z_P109*/EEAF	MATT WHITE	WHITE	WHITE	5.190	6.622	5-6 weeks
			Z_P109*/ZZAF	MATT BLACK	BLACK	BLACK	5.190	6.622	5-6 weeks
			Z_P109*/FGGAF	ALU. BRUSHED SILVER	GREY	GREY	5.190	6.622	5-6 weeks
1200X900	A: 118 B: 88-90	2,50 kW	Z_P129*/EEAF	MATT WHITE	WHITE	WHITE	5.270	6.703	5-6 weeks
			Z_P129*/ZZAF	MATT BLACK	BLACK	BLACK	5.270	6.703	5-6 weeks
			Z_P129*/FGGAF	ALU. BRUSHED SILVER	GREY	GREY	5.270	6.703	5-6 weeks
1400X900	A: 138 B: 88-90	3,50 kW	Z_P149*/EEAF	MATT WHITE	WHITE	WHITE	5.362	6.795	5-6 weeks
			Z_P149*/ZZAF	MATT BLACK	BLACK	BLACK	5.362	6.795	5-6 weeks
			Z_P149*/FGGAF	ALU. BRUSHED SILVER	GREY	GREY	5.362	6.795	5-6 weeks
1400X1000	A: 138 B: 98-100	3,50 kW	Z_P141*/EEAF	MATT WHITE	WHITE	WHITE	5.431	7.024	5-6 weeks
			Z_P141*/ZZAF	MATT BLACK	BLACK	BLACK	5.431	7.024	5-6 weeks
			Z_P141*/FGGAF	ALU. BRUSHED SILVER	GREY	GREY	5.431	7.024	5-6 weeks

CUSTOMIZED SIZE:

Width min. 1000 mm - depth min. 700 mm - height min. 1900 mm
Width max. 1800 mm - depth max. 1200 mm - height max. 2200 mm

· For intermediate special sizes consider the price of the next larger size + 5%
· For special measures higher feasibility and price on request

IDRO	HAMMAM
FUNCTIONS	FUNCTIONS
multifunction shower head 20x20 cm	multifunction shower head 20x20 cm
dorsal hydrojets	1 Strip Led rgb
blade of water	dorsal hydrojets
hand shower	Turkish bath on / off button
	blade of water
	hand shower

EQUIPMENTS	code	white touch keyboard	black touch keyboard	music therapy system	black faucets	
Black	"H"				■	+ 700
Elite control	"D"	■				+ 700
Elite control BLACK	"T"		■			+ 700
Balance BLACK	"P"		■		■	+ 1.800
Music	"I"			■		+ 600
Music BLACK	"Q"			■	■	+ 1.600
Senza pensieri	"N"	■		■		+ 1.300
Senza pensieri BLACK	"M"		■	■	■	+ 2.300

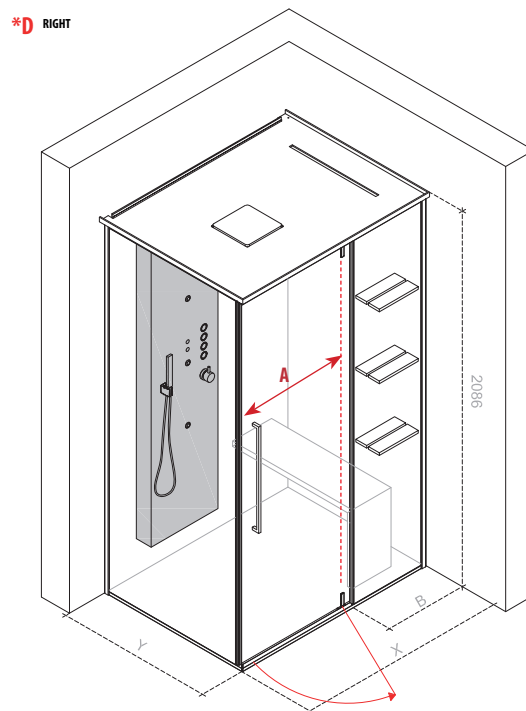
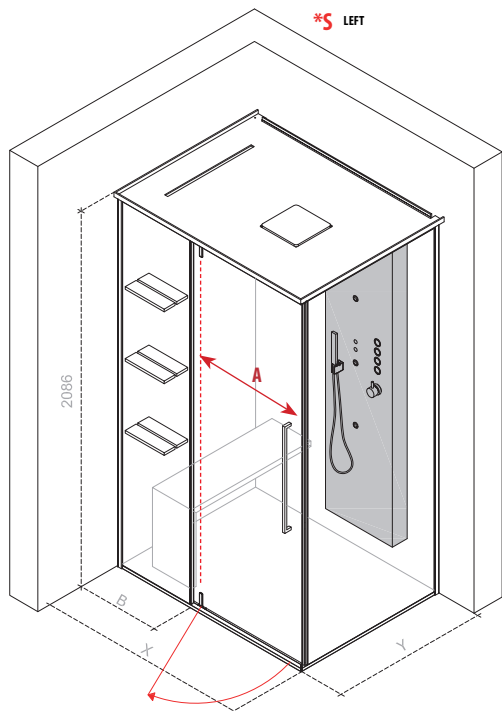
OPTIONAL:

- Shower tray (see page n°214)
- Partial or complete wall covering (see page n°215 Zen Layer)

Replace "A" with the corresponding code for the chosen equipments.

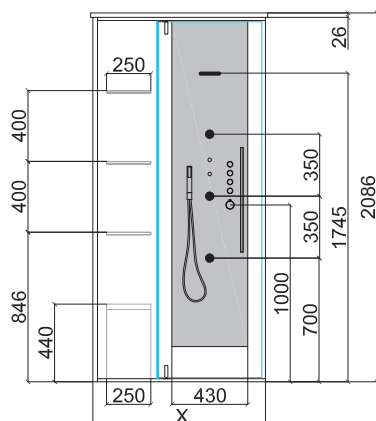
See the pre-installation sheet for the touch display on page 177

TECHNICAL DRAWINGS

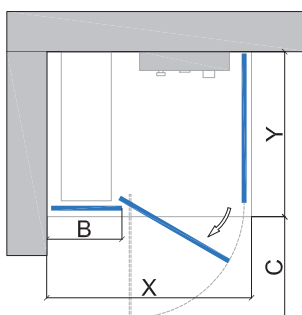


(XxY) mm	(A) mm	(B) mm	(C) mm	kW
1000x700	500	420	500	2.50 kW
1000x800	500	420	500	2.50 kW
1200x800	650	470	650	2.50 kW
1400x800	750	570	750	3.50 kW
1000x900	500	420	500	2.50 kW
1200x900	650	470	650	3.50 kW
1400x900	750	570	750	3.50 kW
1400x1000	750	570	750	3.50 kW

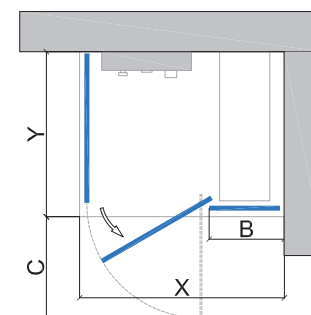
STANDARD HEIGHT	h. 2086 mm
GLASS THICKNESS	6 mm
HANDLE HEIGHT	580 mm
PROTECTIVE TREATMENT	included
WOODEN SEAT	included
WOODEN SHELVES	n°6 included



*S LEFT



*D RIGHT



OPTIONS	COD.
Supplementary pre-installation kit for touch display	A6F418 85

*The new buttons on the column will be available from 05/2025.

GLASS FINISH



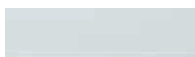
Transparent tempered glass "F"

SITTING & SHELVES

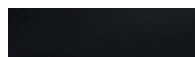


Wood Ash heat treated

PROFILE FINISHES



Matt White Aluminum "E"



Matt Black Aluminum "Z"

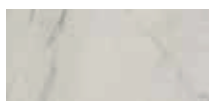


Brushed Silver Aluminum "F"

ROOF AND TECHNICAL DOOR



White "E"



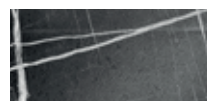
White Marble "5" +5%
replace "Z_A_/_EE_F" with "Z_A_/_SS_F"



Grey "G"



Black "Z"



Marquina Black "2" +5%
replace "ZKP_/_ZZ_F" with "ZKP_/_ZZ_F"

PRICE LIST WITH POINTS

MEASURE	EXTENSIBILITY	KW. HAMMAM	CODE	PROFILES	ROOF	TECHNICAL DOOR	IDRO - I	IDRO/HAMMAM - H	DELIVERY
1000X700	A: 98-100 B: 68-70	2,50 kW	Z_A107*/EEAF	MATT WHITE	WHITE	WHITE	4.755	5.867	5-6 weeks
			Z_A107*/ZZAF	MATT BLACK	BLACK	BLACK	4.755	5.867	5-6 weeks
			Z_A107*/FGGAF	ALU. BRUSHED SILVER	GREY	GREY	4.755	5.867	5-6 weeks
1000X800	A: 98-100 B: 78-80	2,50 kW	Z_A108*/EEAF	MATT WHITE	WHITE	WHITE	4.834	6.107	5-6 weeks
			Z_A108*/ZZAF	MATT BLACK	BLACK	BLACK	4.834	6.107	5-6 weeks
			Z_A108*/FGGAF	ALU. BRUSHED SILVER	GREY	GREY	4.834	6.107	5-6 weeks
1200X800	A: 118-120 B: 78-80	2,50 kW	Z_A128*/EEAF	MATT WHITE	WHITE	WHITE	4.926	6.199	2-3 weeks
			Z_A128*/ZZAF	MATT BLACK	BLACK	BLACK	4.926	6.199	2-3 weeks
			Z_A128*/FGGAF	ALU. BRUSHED SILVER	GREY	GREY	4.926	6.199	2-3 weeks
1400X800	A: 138-140 B: 78-80	3,50 kW	Z_A148*/EEAF	MATT WHITE	WHITE	WHITE	5.018	6.291	5-6 weeks
			Z_A148*/ZZAF	MATT BLACK	BLACK	BLACK	5.018	6.291	5-6 weeks
			Z_A148*/FGGAF	ALU. BRUSHED SILVER	GREY	GREY	5.018	6.291	5-6 weeks
1000X900	A: 98-100 B: 88-90	2,50 kW	Z_A109*/EEAF	MATT WHITE	WHITE	WHITE	4.916	6.348	5-6 weeks
			Z_A109*/ZZAF	MATT BLACK	BLACK	BLACK	4.916	6.348	5-6 weeks
			Z_A109*/FGGAF	ALU. BRUSHED SILVER	GREY	GREY	4.916	6.348	5-6 weeks
1200X900	A: 118-120 B: 88-90	3,50 kW	Z_A129*/EEAF	MATT WHITE	WHITE	WHITE	4.996	6.429	5-6 weeks
			Z_A129*/ZZAF	MATT BLACK	BLACK	BLACK	4.996	6.429	5-6 weeks
			Z_A129*/FGGAF	ALU. BRUSHED SILVER	GREY	GREY	4.996	6.429	5-6 weeks
1400X900	A: 138-140 B: 88-90	3,50 kW	Z_A149*/EEAF	MATT WHITE	WHITE	WHITE	5.087	6.520	5-6 weeks
			Z_A149*/ZZAF	MATT BLACK	BLACK	BLACK	5.087	6.520	5-6 weeks
			Z_A149*/FGGAF	ALU. BRUSHED SILVER	GREY	GREY	5.087	6.520	5-6 weeks
1400X1000	A: 138-140 B: 98-100	3,50 kW	Z_A141*/EEAF	MATT WHITE	WHITE	WHITE	5.156	6.749	5-6 weeks
			Z_A141*/ZZAF	MATT BLACK	BLACK	BLACK	5.156	6.749	5-6 weeks
			Z_A141*/FGGAF	ALU. BRUSHED SILVER	GREY	GREY	5.156	6.749	5-6 weeks

CUSTOMIZED SIZE:

Width min. 1000 mm - depth min. 700 mm - height min. 1900 mm
Width max. 1800 mm - depth max. 1200 mm - height max. 2200 mm

· For intermediate special sizes consider the price of the next larger size + 5%
· For special measures higher feasibility and price on request

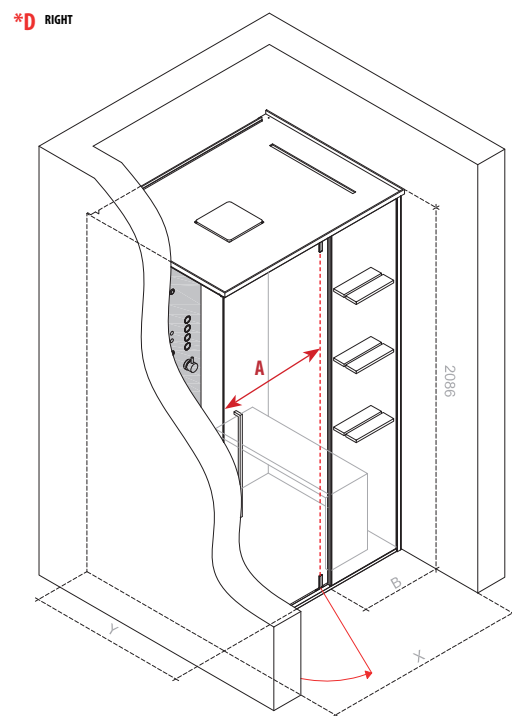
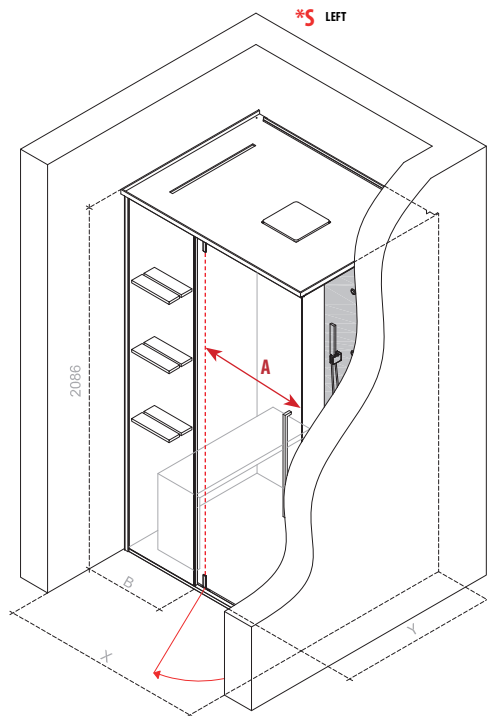
IDRO	HAMMAM
FUNCTIONS	FUNCTIONS
multifunction shower head 20x20 cm	multifunction shower head 20x20 cm
dorsal hydrojets	1 Strip Led rgb
blade of water	dorsal hydrojets
hand shower	Turkish bath on / off button
	blade of water
	hand shower

EQUIPMENTS	code	white touch keyboard	black touch keyboard	music therapy system	black faucets	
Black	"H"				■	+ 700
Elite control	"D"	■				+ 700
Elite control BLACK	"T"		■			+ 700
Balance BLACK	"P"		■		■	+ 1.800
Music	"I"			■		+ 600
Music BLACK	"Q"			■	■	+ 1.600
Senza pensieri	"N"	■		■		+ 1.300
Senza pensieri BLACK	"M"		■	■	■	+ 2.300

Replace "A" with the corresponding code for the chosen equipments.

See the pre-installation sheet for the touch display on page 177

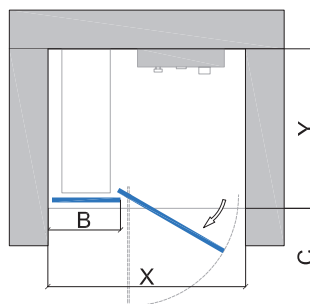
TECHNICAL DRAWINGS



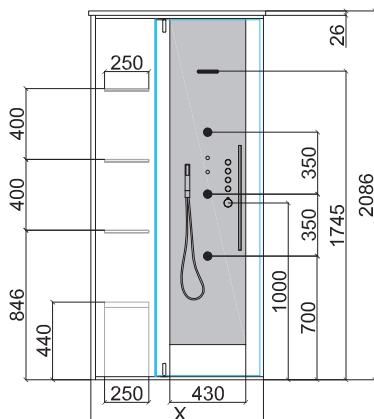
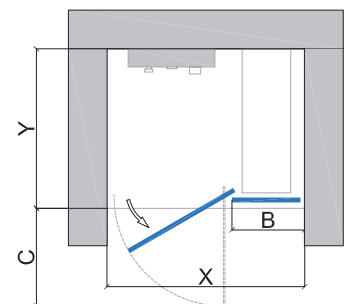
(XxY) mm	(A) mm	(B) mm	(C) mm	kW
1000x700	500	420	500	2.50 kW
1000x800	500	420	500	2.50 kW
1200x800	650	470	650	2.50 kW
1400x800	750	570	750	3,50 kW
1000x900	500	420	500	2.50 kW
1200x900	650	470	650	3.50 kW
1400x900	750	570	750	3.50 kW
1400x1000	750	570	750	3.50 kW

STANDARD HEIGHT	h. 2086 mm
GLASS THICKNESS	6 mm
HANDLE HEIGHT	580 mm
PROTECTIVE TREATMENT	included
WOODEN SEAT	included
WOODEN SHELVES	n°6 included

*S LEFT



*D RIGHT



OPTIONS	COD.
Supplementary pre-installation kit for touch display	A6F418 85

*The new buttons on the column will be available from 05/2025.

GLASS FINISH



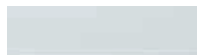
Transparent tempered glass "F"

SITTING & SHELVES



Wood Ash heat treated

PROFILE FINISHES



Matt White Aluminum "E"



Matt Black Aluminum "Z"

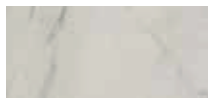


Brushed Silver Aluminum "F"

ROOF AND TECHNICAL DOOR



White "E"



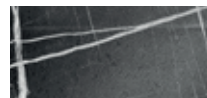
White Marble "5" +5%
replace "Z_N_/EE_F" with "Z_N_/55_F"



Grey "G"



Black "Z"



Marquina Black "2" +5%
replace "ZKP_/Z2_F" with "ZKP_/22_F"

PRICE LIST WITH POINTS

MEASURE	EXTENSIBILITY	KW. HAMMAM	CODE	PROFILES	ROOF	TECHNICAL DOOR	IDRO - I	IDRO/HAMMAM - H	DELIVERY
1000X700	A: 97 - 100 B: 68	2,50 kW	Z_N107*/EEEAF	MATT WHITE	WHITE	WHITE	4.526	5.843	5-6 weeks
			Z_N107*/ZZZAF	MATT BLACK	BLACK	BLACK	4.526	5.843	5-6 weeks
			Z_N107*/FGGAF	ALU. BRUSHED SILVER	GREY	GREY	4.526	5.843	5-6 weeks
1000X800	A: 97 - 100 B: 78	2,50 kW	Z_N108*/EEEAF	MATT WHITE	WHITE	WHITE	4.606	5.878	5-6 weeks
			Z_N108*/ZZZAF	MATT BLACK	BLACK	BLACK	4.606	5.878	5-6 weeks
			Z_N108*/FGGAF	ALU. BRUSHED SILVER	GREY	GREY	4.606	5.878	5-6 weeks
1200X800	A: 117 - 120 B: 78	2,50 kW	Z_N128*/EEEAF	MATT WHITE	WHITE	WHITE	4.698	5.970	5-6 weeks
			Z_N128*/ZZZAF	MATT BLACK	BLACK	BLACK	4.698	5.970	2-3 weeks
			Z_N128*/FGGAF	ALU. BRUSHED SILVER	GREY	GREY	4.698	5.970	5-6 weeks
1400X800	A: 137 - 140 B: 78	3,50 kW	Z_N148*/EEEAF	MATT WHITE	WHITE	WHITE	4.789	6.061	5-6 weeks
			Z_N148*/ZZZAF	MATT BLACK	BLACK	BLACK	4.789	6.061	5-6 weeks
			Z_N148*/FGGAF	ALU. BRUSHED SILVER	GREY	GREY	4.789	6.061	5-6 weeks
1000X900	A: 97 - 100 B: 88	2,50 kW	Z_N109*/EEEAF	MATT WHITE	WHITE	WHITE	4.686	6.119	5-6 weeks
			Z_N109*/ZZZAF	MATT BLACK	BLACK	BLACK	4.686	6.119	5-6 weeks
			Z_N109*/FGGAF	ALU. BRUSHED SILVER	GREY	GREY	4.686	6.119	5-6 weeks
1200X900	A: 117 - 120 B: 88	3,50 kW	Z_N129*/EEEAF	MATT WHITE	WHITE	WHITE	4.778	6.210	5-6 weeks
			Z_N129*/ZZZAF	MATT BLACK	BLACK	BLACK	4.778	6.210	5-6 weeks
			Z_N129*/FGGAF	ALU. BRUSHED SILVER	GREY	GREY	4.778	6.210	5-6 weeks
1400X900	A: 137 - 140 B: 88	3,50 kW	Z_N149*/EEEAF	MATT WHITE	WHITE	WHITE	4.858	6.291	5-6 weeks
			Z_N149*/ZZZAF	MATT BLACK	BLACK	BLACK	4.858	6.291	5-6 weeks
			Z_N149*/FGGAF	ALU. BRUSHED SILVER	GREY	GREY	4.858	6.291	5-6 weeks
1400X1000	A: 137 - 140 B: 98	3,50 kW	Z_N141*/EEEAF	MATT WHITE	WHITE	WHITE	4.938	6.531	5-6 weeks
			Z_N141*/ZZZAF	MATT BLACK	BLACK	BLACK	4.938	6.531	5-6 weeks
			Z_N141*/FGGAF	ALU. BRUSHED SILVER	GREY	GREY	4.938	6.531	5-6 weeks

CUSTOMIZED SIZE:

Width min. 1000 mm - depth min. 700 mm - height min. 1900 mm
Width max. 1800 mm - depth max. 1200 mm - height max. 2200 mm

· For intermediate special sizes consider the price of the next larger size + 5%
· For special measures higher feasibility and price on request

IDRO	HAMMAM
FUNCTIONS	FUNCTIONS
multifunction shower head 20x20 cm	multifunction shower head 20x20 cm
dorsal hydrojets	1 Strip Led rgb
blade of water	dorsal hydrojets
hand shower	Turkish bath on / off button
	blade of water
	hand shower

EQUIPMENTS	code	white touch keyboard	black touch keyboard	music therapy system	black faucets	
Black	"H"				■	+ 700
Elite control	"D"	■				+ 700
Elite control BLACK	"T"		■			+ 700
Balance BLACK	"P"		■		■	+ 1.800
Music	"I"			■		+ 600
Music BLACK	"Q"			■	■	+ 1.600
Senza pensieri	"N"	■		■		+ 1.300
Senza pensieri BLACK	"M"		■	■	■	+ 2.300

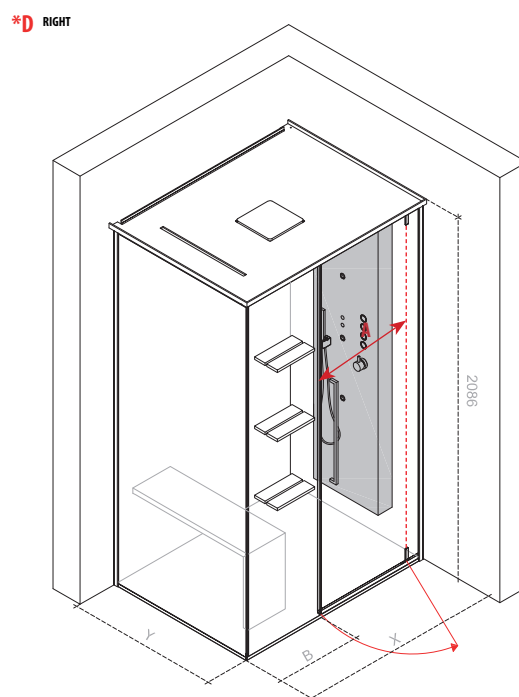
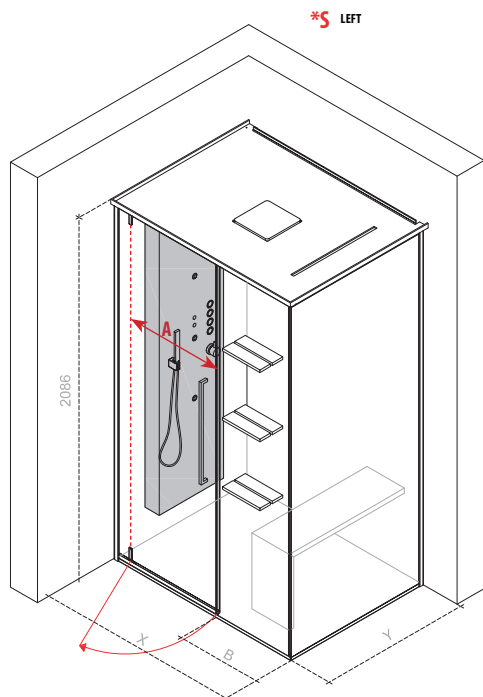
OPTIONAL:

- Shower tray (see page n°214)
- Partial or complete wall covering (see page n°215 Zen Layer)

Replace "A" with the corresponding code for the chosen equipments.

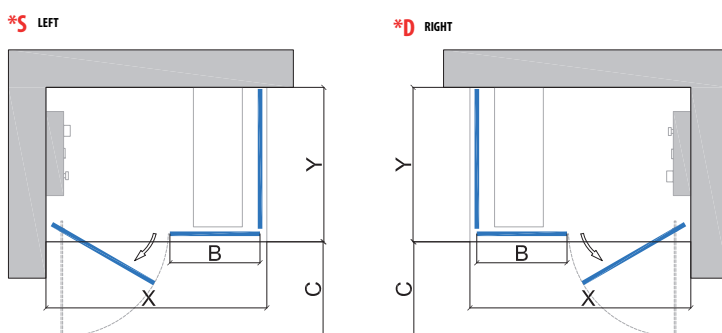
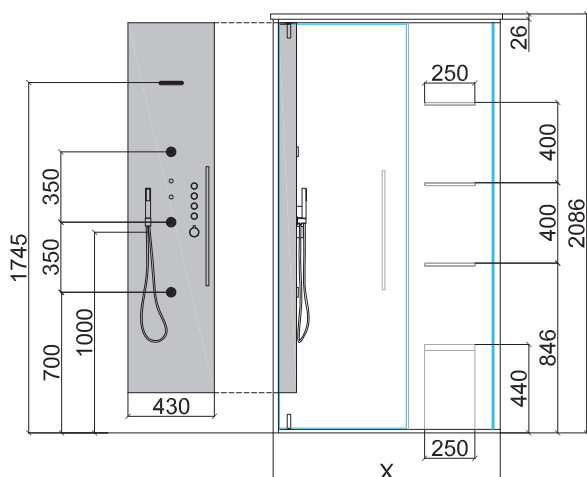
See the pre-installation sheet for the touch display on page 177

TECHNICAL DRAWINGS



(X x Y) mm	(A) mm	(B) mm	(C) mm	kW
1000x700	430	410	430	2.50 kW
1000x800	430	410	430	2.50 kW
1200x800	580	460	580	2.50 kW
1400x800	680	560	680	3.50 kW
1000x900	430	410	430	2.50 kW
1200x900	580	460	580	3.50 kW
1400x900	680	560	680	3.50 kW
1400x1000	680	560	680	3.50 kW

STANDARD HEIGHT	h. 2086 mm
GLASS THICKNESS	6 mm
HANDLE HEIGHT	580 mm
PROTECTIVE TREATMENT	included
WOODEN SEAT	included
WOODEN SHELVES	n°6 included



OPTIONS	COD.
Supplementary pre-installation kit for touch display	A6F418 85

*The new buttons on the column will be available from 05/2025.

GLASS FINISH



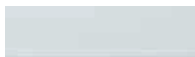
Transparent tempered glass "F"

SITTING & SHELVES



Wood Ash heat treated

PROFILE FINISHES



Matt White Aluminum "E"



Matt Black Aluminum "Z"

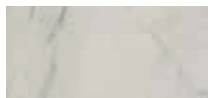


Brushed Silver Aluminum "F"

ROOF AND TECHNICAL DOOR



White "E"



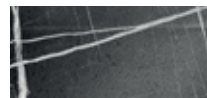
White Marble "5" +5%
replace "Z_A_/_EE_F" with "Z_A_/_SS_F"



Grey "G"



Black "Z"



Marquina Black "2" +5%
replace "ZKP_/_ZZ_F" with "ZKP_/_ZZ_F"

PRICE LIST WITH POINTS

TRANSPARENT GLASS WITH PROTECTIVE	MEASURE	EXTENSIBILITY	kW. HAMMAM	CODE	PROFILES	ROOF	TECHNICAL DOOR	IDRO - F	IDRO/HAMMAM - G	DELIVERY
	1000X700	A: 98-100 B: 68-70	2,5 kW	Z_A107*/EEEA	MATT WHITE	WHITE	WHITE	4.755	5.867	5-6 weeks
				Z_A107*/ZZZA	MATT BLACK	BLACK	BLACK	4.755	5.867	5-6 weeks
				Z_A107*/FGGA	ALU. BRUSHED SILVER	GREY	GREY	4.755	5.867	5-6 weeks
	1000X800	A: 98-100 B: 78-80	2,5 kW	Z_A108*/EEEA	MATT WHITE	WHITE	WHITE	4.834	6.107	5-6 weeks
				Z_A108*/ZZZA	MATT BLACK	BLACK	BLACK	4.834	6.107	5-6 weeks
				Z_A108*/FGGA	ALU. BRUSHED SILVER	GREY	GREY	4.834	6.107	5-6 weeks
	1200X800	A: 118-120 B: 78-80	2,5 kW	Z_A128*/EEEA	MATT WHITE	WHITE	WHITE	4.926	6.199	5-6 weeks
				Z_A128*/ZZZA	MATT BLACK	BLACK	BLACK	4.926	6.199	2-3 weeks
				Z_A128*/FGGA	ALU. BRUSHED SILVER	GREY	GREY	4.926	6.199	5-6 weeks
1400X800	A: 138-140 B: 78-80	3,5 kW	Z_A148*/EEEA	MATT WHITE	WHITE	WHITE	5.018	6.291	5-6 weeks	
			Z_A148*/ZZZA	MATT BLACK	BLACK	BLACK	5.018	6.291	5-6 weeks	
			Z_A148*/FGGA	ALU. BRUSHED SILVER	GREY	GREY	5.018	6.291	5-6 weeks	
1000X900	A: 98-100 B: 88-90	2,5 kW	Z_A109*/EEEA	MATT WHITE	WHITE	WHITE	4.916	6.348	5-6 weeks	
			Z_A109*/ZZZA	MATT BLACK	BLACK	BLACK	4.916	6.348	5-6 weeks	
			Z_A109*/FGGA	ALU. BRUSHED SILVER	GREY	GREY	4.916	6.348	5-6 weeks	
1200X900	A: 118-120 B: 88-90	3,5 kW	Z_A129*/EEEA	MATT WHITE	WHITE	WHITE	4.995	6.429	5-6 weeks	
			Z_A129*/ZZZA	MATT BLACK	BLACK	BLACK	4.995	6.429	5-6 weeks	
			Z_A129*/FGGA	ALU. BRUSHED SILVER	GREY	GREY	4.995	6.429	5-6 weeks	
1400X900	A: 138-140 B: 88-90	3,5 kW	Z_A149*/EEEA	MATT WHITE	WHITE	WHITE	5.087	6.520	5-6 weeks	
			Z_A149*/ZZZA	MATT BLACK	BLACK	BLACK	5.087	6.520	5-6 weeks	
			Z_A149*/FGGA	ALU. BRUSHED SILVER	GREY	GREY	5.087	6.520	5-6 weeks	
1400X1000	A: 138-140 B: 98-100	3,5 kW	Z_A141*/EEEA	MATT WHITE	WHITE	WHITE	5.156	6.749	5-6 weeks	
			Z_A141*/ZZZA	MATT BLACK	BLACK	BLACK	5.156	6.749	5-6 weeks	
			Z_A141*/FGGA	ALU. BRUSHED SILVER	GREY	GREY	5.156	6.749	5-6 weeks	

CUSTOMIZED SIZE:

Width min. 1000 mm - depth min. 700 mm - height min. 1900 mm
Width max. 1800 mm - depth max. 1200 mm - height max. 2200 mm

- For intermediate special sizes consider the price of the next larger size + 5%
- For special measures higher feasibility and price on request

IDRO	HAMMAM
FUNCTIONS	FUNCTIONS
multifunction shower head 20x20 cm	multifunction shower head 20x20 cm
dorsal hydrojets	1 Strip Led rgb
blade of water	dorsal hydrojets
hand shower	Turkish bath on / off button
	blade of water
	hand shower

EQUIPMENTS	code	white touch keyboard	black touch keyboard	music therapy system	black faucets	
Black	"H"				■	+ 700
Elite control	"D"	■				+ 700
Elite control BLACK	"T"		■			+ 700
Balance BLACK	"P"		■		■	+ 1.800
Music	"I"			■		+ 600
Music BLACK	"Q"			■	■	+ 1.600
Senza pensieri	"N"	■		■		+ 1.300
Senza pensieri BLACK	"M"	■	■	■	■	+ 2.300

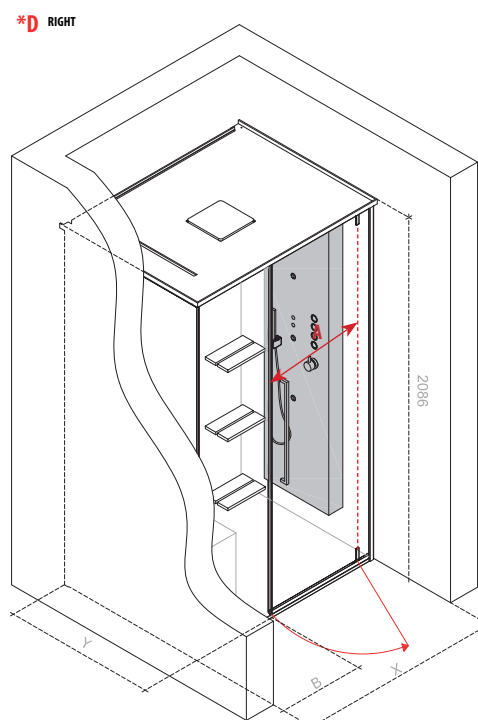
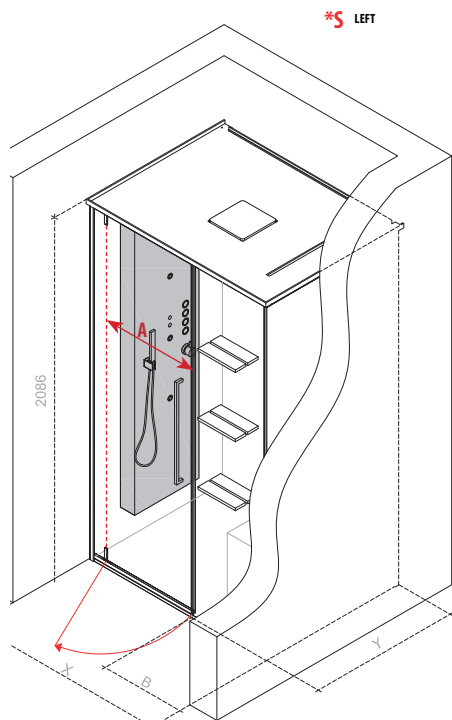
OPTIONAL:

- Shower tray (see page n°214)
- Partial or complete wall covering (see page n°215 Zen Layer)

Replace "A" with the corresponding code for the chosen equipments.

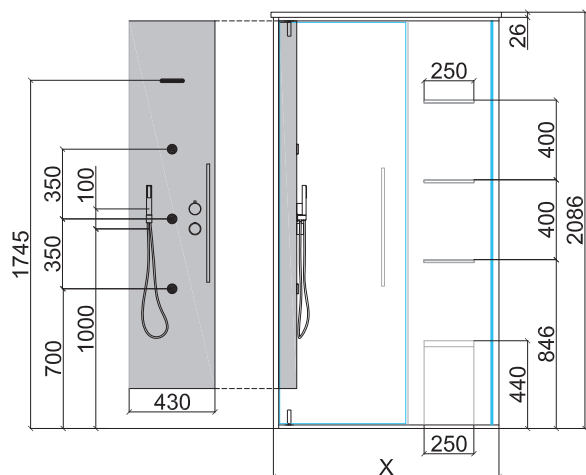
See the pre-installation sheet for the touch display on page 177

TECHNICAL DRAWINGS

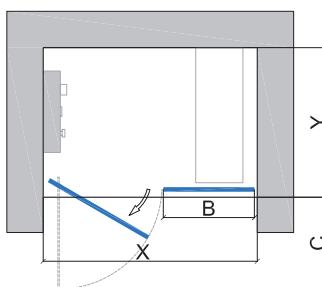


(XxY) mm	(A) mm	(B) mm	(C) mm	kW
1000x700	430	410	430	2.50 kW
1000x800	430	410	430	2.50 kW
1200x800	580	460	580	2.50 kW
1400x800	680	560	680	3.50 kW
1000x900	430	410	430	2.50 kW
1200x900	580	460	580	3.50 kW
1400x900	680	560	680	3.50 kW
1400x1000	680	560	680	3.50 kW

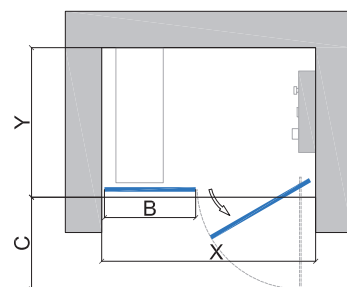
STANDARD HEIGHT	h. 2086 mm
GLASS THICKNESS	6 mm
HANDLE HEIGHT	580 mm
PROTECTIVE TREATMENT	included
WOODEN SEAT	included
WOODEN SHELVES	n°6 included



*S LEFT



*D RIGHT



OPTIONS	COD.
Supplementary pre-installation kit for touch display	A6F418 85

*The new buttons on the column will be available from 05/2025.

GLASS FINISH



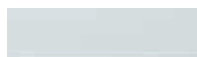
Transparent tempered glass "F"

SITTING & SHELVES

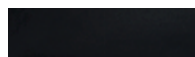


Wood Ash heat treated

PROFILE FINISHES



Matt White Aluminum "E"



Matt Black Aluminum "Z"



Brushed Silver Aluminum "F"

ROOF AND TECHNICAL DOOR



White "E"



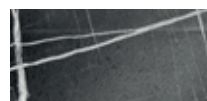
White Marble "5" +5%
replace "Z_N/_/EE_F" with "Z_N/_/55_F"



Grey "G"



Black "Z"



Marquina Black "2" +5%
replace "ZKP/_/22_F" with "ZKP/_/22_F"

PRICE LIST WITH POINTS

MEASURE	EXTENSIBILITY	kW. HAMMAM	CODE	PROFILES	ROOF	TECHNICAL DOOR	IDRO - F	IDRO/HAMMAM - G	DELIVERY
1000X700	A: 97 - 100 B: 68	2,50 kW	Z_N107*/EEEAF	MATT WHITE	WHITE	WHITE	4.526	5.843	5-6 weeks
			Z_N107*/ZZZAF	MATT BLACK	BLACK	BLACK	4.526	5.843	5-6 weeks
			Z_N107*/FGGAF	ALU. BRUSHED SILVER	GREY	GREY	4.526	5.843	5-6 weeks
1000X800	A: 97 - 100 B: 78	2,50 kW	Z_N108*/EEEAF	MATT WHITE	WHITE	WHITE	4.606	5.878	5-6 weeks
			Z_N108*/ZZZAF	MATT BLACK	BLACK	BLACK	4.606	5.878	5-6 weeks
			Z_N108*/FGGAF	ALU. BRUSHED SILVER	GREY	GREY	4.606	5.878	5-6 weeks
1200X800	A: 117 - 120 B: 78	2,50 kW	Z_N128*/EEEAF	MATT WHITE	WHITE	WHITE	4.698	5.970	5-6 weeks
			Z_N128*/ZZZAF	MATT BLACK	BLACK	BLACK	4.698	5.970	2-3 weeks
			Z_N128*/FGGAF	ALU. BRUSHED SILVER	GREY	GREY	4.698	5.970	5-6 weeks
1400X800	A: 137 - 140 B: 78	3,50 kW	Z_N148*/EEEAF	MATT WHITE	WHITE	WHITE	4.789	6.061	5-6 weeks
			Z_N148*/ZZZAF	MATT BLACK	BLACK	BLACK	4.789	6.061	5-6 weeks
			Z_N148*/FGGAF	ALU. BRUSHED SILVER	GREY	GREY	4.789	6.061	5-6 weeks
1000X900	A: 97 - 100 B: 88	2,50 kW	Z_N109*/EEEAF	MATT WHITE	WHITE	WHITE	4.686	6.119	5-6 weeks
			Z_N109*/ZZZAF	MATT BLACK	BLACK	BLACK	4.686	6.119	5-6 weeks
			Z_N109*/FGGAF	ALU. BRUSHED SILVER	GREY	GREY	4.686	6.119	5-6 weeks
1200X900	A: 117 - 120 B: 88	3,50 kW	Z_N129*/EEEAF	MATT WHITE	WHITE	WHITE	4.778	6.210	5-6 weeks
			Z_N129*/ZZZAF	MATT BLACK	BLACK	BLACK	4.778	6.210	5-6 weeks
			Z_N129*/FGGAF	ALU. BRUSHED SILVER	GREY	GREY	4.778	6.210	5-6 weeks
1400X900	A: 137 - 140 B: 88	3,50 kW	Z_N149*/EEEAF	MATT WHITE	WHITE	WHITE	4.858	6.291	5-6 weeks
			Z_N149*/ZZZAF	MATT BLACK	BLACK	BLACK	4.858	6.291	5-6 weeks
			Z_N149*/FGGAF	ALU. BRUSHED SILVER	GREY	GREY	4.858	6.291	5-6 weeks
1400X1000	A: 137 - 140 B: 98	3,50 kW	Z_N141*/EEEAF	MATT WHITE	WHITE	WHITE	4.938	6.531	5-6 weeks
			Z_N141*/ZZZAF	MATT BLACK	BLACK	BLACK	4.938	6.531	5-6 weeks
			Z_N141*/FGGAF	ALU. BRUSHED SILVER	GREY	GREY	4.938	6.531	5-6 weeks

CUSTOMIZED SIZE:

Width min. 1000 mm - depth min. 700 mm - height min. 1900 mm
Width max. 1800 mm - depth max. 1200 mm - height max. 2200 mm

• For intermediate special sizes consider the price of the next larger size + 5%
• For special measures higher feasibility and price on request

IDRO	HAMMAM
FUNCTIONS	FUNCTIONS
multifunction shower head 20x20 cm	multifunction shower head 20x20 cm
dorsal hydrojets	1 Strip Led rgb
blade of water	dorsal hydrojets
hand shower	Turkish bath on / off button
	blade of water
	hand shower

OPTIONAL:

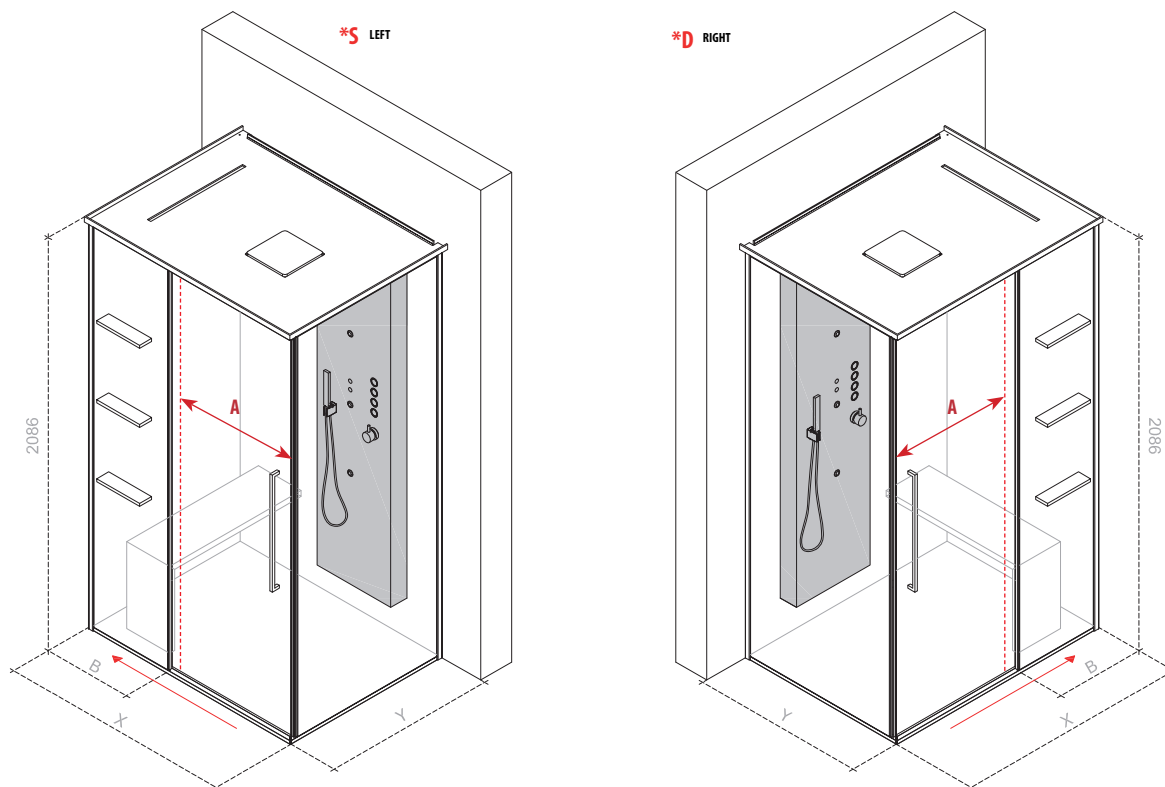
- Shower tray (see page n°214)
- Partial or complete wall covering (see page n°215 Zen Layer)

EQUIPMENTS	code	white touch keyboard	black touch keyboard	music therapy system	black faucets	
Black	"H"				■	+ 700
Elite control	"D"	■				+ 700
Elite control BLACK	"T"			■		+ 700
Balance BLACK	"P"			■	■	+ 1.800
Music	"I"			■		+ 600
Music BLACK	"Q"			■	■	+ 1.600
Senza pensieri	"N"	■		■		+ 1.300
Senza pensieri BLACK	"M"		■	■	■	+ 2.300

Replace "A" with the corresponding code for the chosen equipments.

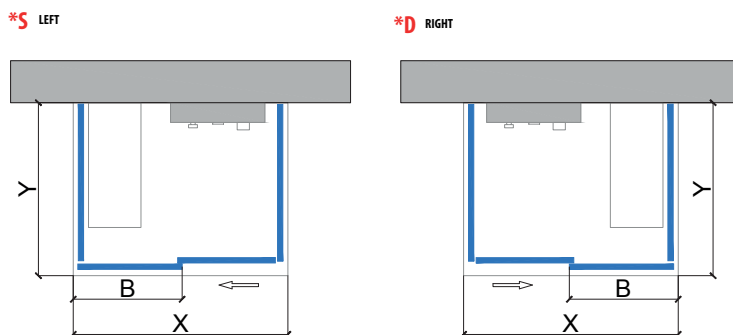
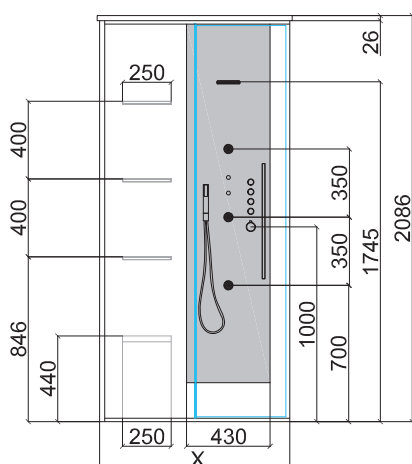
See the pre-installation sheet for the touch display on page 177

TECHNICAL DRAWINGS

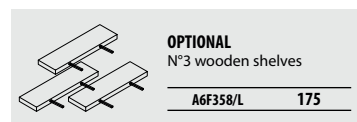


(XxY) mm	(A) mm	(B) mm	kW
1000x700	430	470	2.50 kW
1000x800	430	470	2.50 kW
1200x800	530	570	2.50 kW
1400x800	630	670	3,50 kW
1000x900	430	470	2.50 kW
1200x900	530	570	3.50 kW
1400x900	630	670	3.50 kW
1400x1000	630	670	3.50 kW

STANDARD HEIGHT	h. 2086 mm
GLASS THICKNESS	6 mm
HANDLE HEIGHT	580 mm
PROTECTIVE TREATMENT	included
WOODEN SEAT	included
WOODEN SHELVES	n°3 included



OPTIONS	COD.
Supplementary pre-installation kit for touch display	A6F418 85



*The new buttons on the column will be available from 05/2025.

GLASS FINISH



Transparent tempered glass "F"

SITTING & SHELVES



Wood Ash heat treated

PROFILE FINISHES



Matt White Aluminum "E"



Matt Black Aluminum "Z"



Brushed Silver Aluminum "F"

ROOF AND TECHNICAL DOOR



White "E"



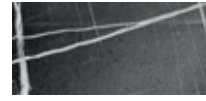
White Marble "5" +5%
replace "Z_P_/EE_F" with "Z_P_/SS_F"



Grey "G"



Black "Z"



Marquina Black "2" +5%
replace "ZKP_/ZZ_F" with "ZKP_/ZZ_F"

PRICE LIST WITH POINTS

MEASURE	EXTENSIBILITY	KW. HAMMAM	CODE	PROFILES	ROOF	TECHNICAL DOOR	IDRO - K	IDRO/HAMMAM - L	DELIVERY
1000X700	A: 98 B: 68-70	2,50 kW	Z_P107*/EEAF	MATT WHITE	WHITE	WHITE	5.053	6.164	5-6 weeks
			Z_P107*/ZZAF	MATT BLACK	BLACK	BLACK	5.053	6.164	5-6 weeks
			Z_P107*/FGGAF	ALU. BRUSHED SILVER	GREY	GREY	5.053	6.164	5-6 weeks
1000X800	A: 98 B: 78-80	2,50 kW	Z_P108*/EEAF	MATT WHITE	WHITE	WHITE	5.122	6.393	5-6 weeks
			Z_P108*/ZZAF	MATT BLACK	BLACK	BLACK	5.122	6.393	5-6 weeks
			Z_P108*/FGGAF	ALU. BRUSHED SILVER	GREY	GREY	5.122	6.393	5-6 weeks
1200X800	A: 118 B: 78-80	2,50 kW	Z_P128*/EEAF	MATT WHITE	WHITE	WHITE	5.202	6.475	5-6 weeks
			Z_P128*/ZZAF	MATT BLACK	BLACK	BLACK	5.202	6.475	2-3 weeks
			Z_P128*/FGGAF	ALU. BRUSHED SILVER	GREY	GREY	5.202	6.475	5-6 weeks
1400X800	A: 138 B: 78-80	3,50 kW	Z_P148*/EEAF	MATT WHITE	WHITE	WHITE	5.293	6.566	5-6 weeks
			Z_P148*/ZZAF	MATT BLACK	BLACK	BLACK	5.293	6.566	5-6 weeks
			Z_P148*/FGGAF	ALU. BRUSHED SILVER	GREY	GREY	5.293	6.566	5-6 weeks
1000X900	A: 98 B: 88-90	2,50 kW	Z_P109*/EEAF	MATT WHITE	WHITE	WHITE	5.190	6.622	5-6 weeks
			Z_P109*/ZZAF	MATT BLACK	BLACK	BLACK	5.190	6.622	5-6 weeks
			Z_P109*/FGGAF	ALU. BRUSHED SILVER	GREY	GREY	5.190	6.622	5-6 weeks
1200X900	A: 118 B: 88-90	3,50 kW	Z_P129*/EEAF	MATT WHITE	WHITE	WHITE	5.270	6.703	5-6 weeks
			Z_P129*/ZZAF	MATT BLACK	BLACK	BLACK	5.270	6.703	5-6 weeks
			Z_P129*/FGGAF	ALU. BRUSHED SILVER	GREY	GREY	5.270	6.703	5-6 weeks
1400X900	A: 138 B: 88-90	3,50 kW	Z_P149*/EEAF	MATT WHITE	WHITE	WHITE	5.362	6.795	5-6 weeks
			Z_P149*/ZZAF	MATT BLACK	BLACK	BLACK	5.362	6.795	5-6 weeks
			Z_P149*/FGGAF	ALU. BRUSHED SILVER	GREY	GREY	5.362	6.795	5-6 weeks
1400X1000	A: 138 B: 98-100	3,50 kW	Z_P141*/EEAF	MATT WHITE	WHITE	WHITE	5.432	7.024	5-6 weeks
			Z_P141*/ZZAF	MATT BLACK	BLACK	BLACK	5.432	7.024	5-6 weeks
			Z_P141*/FGGAF	ALU. BRUSHED SILVER	GREY	GREY	5.432	7.024	5-6 weeks

CUSTOMIZED SIZE:

Width min. 1000 mm - depth min. 700 mm - height min. 1900 mm
Width max. 1800 mm - depth max. 1200 mm - height max. 2200 mm

· For intermediate special sizes consider the price of the next larger size + 5%
· For special measures higher feasibility and price on request

IDRO	HAMMAM
FUNCTIONS	FUNCTIONS
multifunction shower head 20x20 cm	multifunction shower head 20x20 cm
dorsal hydrojets	1 Strip Led rgb
blade of water	dorsal hydrojets
hand shower	Turkish bath on / off button
	blade of water
	hand shower

OPTIONAL:

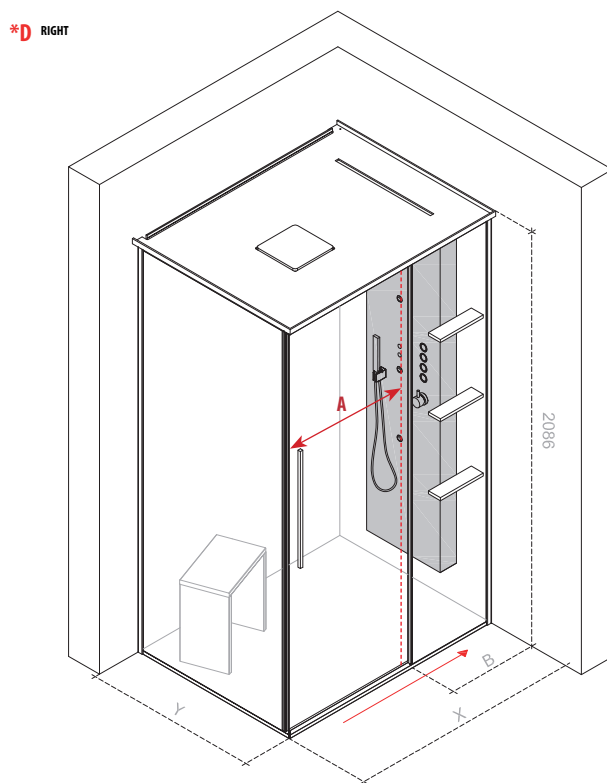
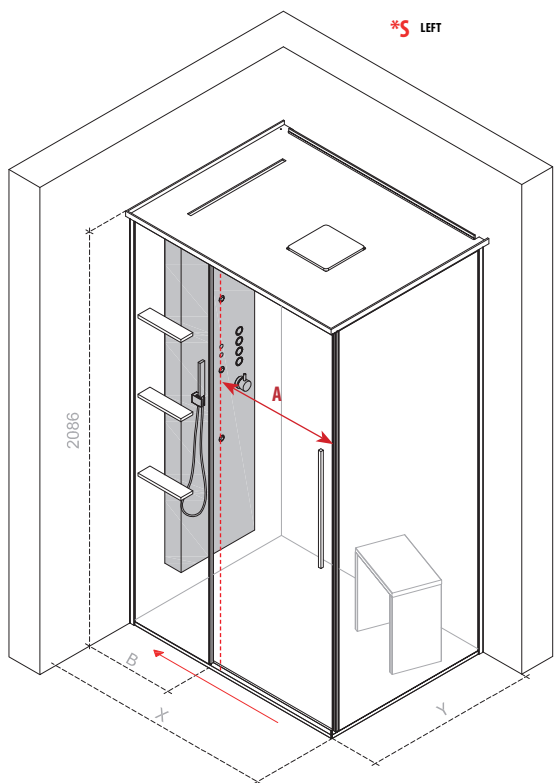
- Shower tray (see page n°214)
- Partial or complete wall covering (see page n°215 Zen Layer)
- kit n°3 wooden shelves

EQUIPMENTS	code	white touch keyboard	black touch keyboard	music therapy system	black faucets	
Black	"H"				■	+ 700
Elite control	"D"	■				+ 700
Elite control BLACK	"T"		■			+ 700
Balance BLACK	"P"		■		■	+ 1.800
Music	"I"			■		+ 600
Music BLACK	"Q"			■	■	+ 1.600
Senza pensieri	"N"	■		■		+ 1.300
Senza pensieri BLACK	"M"		■	■	■	+ 2.300

Replace "A" with the corresponding code for the chosen equipments.

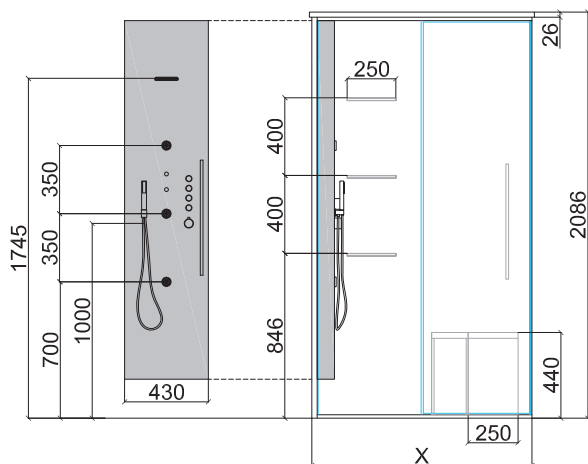
See the pre-installation sheet for the touch display on page 177

TECHNICAL DRAWINGS

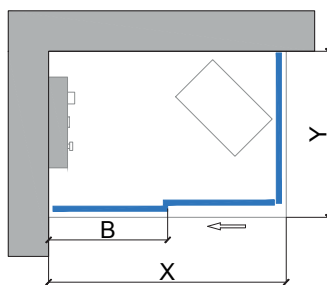


(X x Y) mm	(A) mm	(B) mm	kW
1000x700	430	470	2.50 kW
1000x800	430	470	2.50 kW
1200x800	530	570	2.50 kW
1400x800	630	670	3.50 kW
1000x900	430	470	2.50 kW
1200x900	530	570	3.50 kW
1400x900	630	670	3.50 kW
1400x1000	630	670	3.50 kW

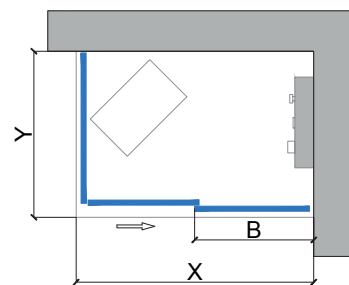
STANDARD HEIGHT	h. 2086 mm
GLASS THICKNESS	6 mm
HANDLE HEIGHT	580 mm
PROTECTIVE TREATMENT	included
WOODEN SHELVES	n°3 included



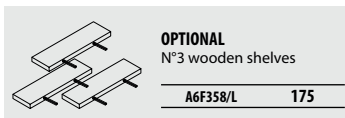
*S LEFT



*D RIGHT



OPTIONS	COD.
Supplementary pre-installation kit for touch display	A6F418 85



*The new buttons on the column will be available from 05/2025.

GLASS FINISH



Transparent tempered glass "F"

SITTING & SHELVES



Wood Ash heat treated

PROFILE FINISHES



Matt White Aluminum "E"



Matt Black Aluminum "Z"



Brushed Silver Aluminum "F"

ROOF AND TECHNICAL DOOR



White "E"



White Marble "5" +5%
replace "Z_A_/_EE_F" with "Z_A_/_SS_F"



Grey "G"



Black "Z"



Marquina Black "2" +5%
replace "ZKP_/_ZZ_F" with "ZKP_/_ZZ_F"

PRICE LIST WITH POINTS

TRANSPARENT GLASS WITH PROTECTIVE	MEASURE	EXTENSIBILITY	kW. HAMMAM	CODE	PROFILES	ROOF	TECHNICAL DOOR	IDRO - M	IDRO/HAMMAM - N	DELIVERY
	1000X700	A: 98-100 B: 68-70	2,5 kW	Z_A107*/EEEA	MATT WHITE	WHITE	WHITE	4.255	5.367	5-6 weeks
				Z_A107*/ZZZA	MATT BLACK	BLACK	BLACK	4.255	5.367	5-6 weeks
				Z_A107*/FGGA	ALU. BRUSHED SILVER	GREY	GREY	4.255	5.367	5-6 weeks
	1000X800	A: 98-100 B: 78-80	2,5 kW	Z_A108*/EEEA	MATT WHITE	WHITE	WHITE	4.334	5.607	5-6 weeks
				Z_A108*/ZZZA	MATT BLACK	BLACK	BLACK	4.334	5.607	5-6 weeks
				Z_A108*/FGGA	ALU. BRUSHED SILVER	GREY	GREY	4.334	5.607	5-6 weeks
	1200X800	A: 118-120 B: 78-80	2,5 kW	Z_A128*/EEEA	MATT WHITE	WHITE	WHITE	4.426	5.699	5-6 weeks
				Z_A128*/ZZZA	MATT BLACK	BLACK	BLACK	4.426	5.699	2-3 weeks
				Z_A128*/FGGA	ALU. BRUSHED SILVER	GREY	GREY	4.426	5.699	5-6 weeks
1400X800	A: 138-140 B: 78-80	3,5 kW	Z_A148*/EEEA	MATT WHITE	WHITE	WHITE	4.518	5.791	5-6 weeks	
			Z_A148*/ZZZA	MATT BLACK	BLACK	BLACK	4.518	5.791	5-6 weeks	
			Z_A148*/FGGA	ALU. BRUSHED SILVER	GREY	GREY	4.518	5.791	5-6 weeks	
1000X900	A: 98-100 B: 88-90	2,5 kW	Z_A109*/EEEA	MATT WHITE	WHITE	WHITE	4.416	5.848	5-6 weeks	
			Z_A109*/ZZZA	MATT BLACK	BLACK	BLACK	4.416	5.848	5-6 weeks	
			Z_A109*/FGGA	ALU. BRUSHED SILVER	GREY	GREY	4.416	5.848	5-6 weeks	
1200X900	A: 118-120 B: 88-90	3,5 kW	Z_A129*/EEEA	MATT WHITE	WHITE	WHITE	4.495	5.929	5-6 weeks	
			Z_A129*/ZZZA	MATT BLACK	BLACK	BLACK	4.495	5.929	5-6 weeks	
			Z_A129*/FGGA	ALU. BRUSHED SILVER	GREY	GREY	4.495	5.929	5-6 weeks	
1400X900	A: 138-140 B: 88-90	3,5 kW	Z_A149*/EEEA	MATT WHITE	WHITE	WHITE	4.587	6.020	5-6 weeks	
			Z_A149*/ZZZA	MATT BLACK	BLACK	BLACK	4.587	6.020	5-6 weeks	
			Z_A149*/FGGA	ALU. BRUSHED SILVER	GREY	GREY	4.587	6.020	5-6 weeks	
1400X1000	A: 138-140 B: 98-100	3,5 kW	Z_A141*/EEEA	MATT WHITE	WHITE	WHITE	4.656	6.240	5-6 weeks	
			Z_A141*/ZZZA	MATT BLACK	BLACK	BLACK	4.656	6.240	5-6 weeks	
			Z_A141*/FGGA	ALU. BRUSHED SILVER	GREY	GREY	4.656	6.240	5-6 weeks	

CUSTOMIZED SIZE:

Width min. 1000 mm - depth min. 700 mm - height min. 1900 mm
Width max. 1800 mm - depth max. 1200 mm - height max. 2200 mm

· For intermediate special sizes consider the price of the next larger size + 5%
· For special measures higher feasibility and price on request

IDRO	HAMMAM
FUNCTIONS	FUNCTIONS
multifunction shower head 20x20 cm	multifunction shower head 20x20 cm
dorsal hydrojets	1 Strip Led rgb
blade of water	dorsal hydrojets
hand shower	Turkish bath on / off button
	blade of water
	hand shower

OPTIONAL:

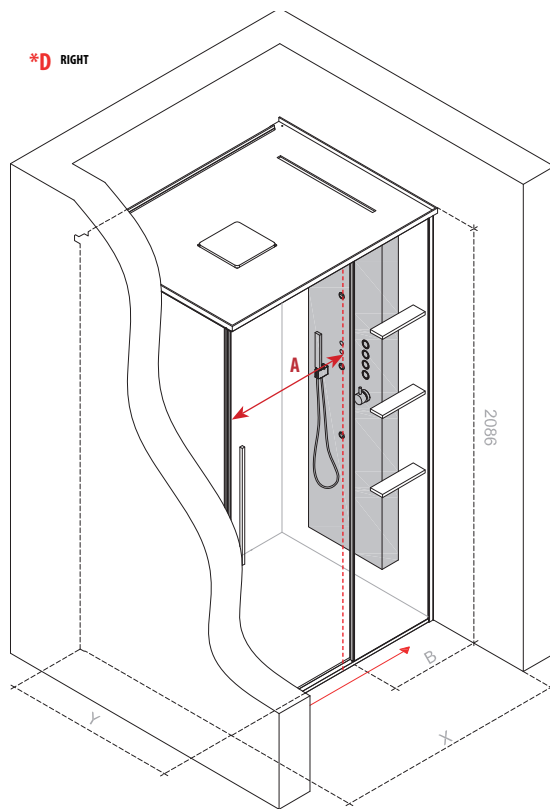
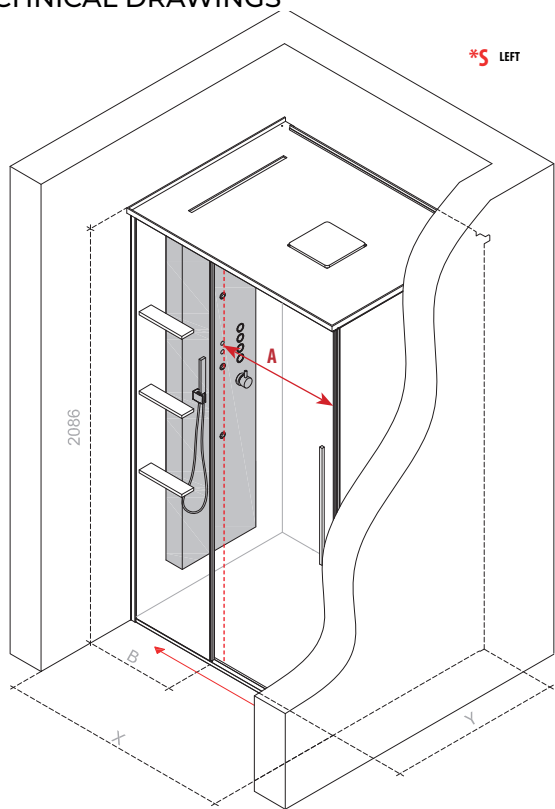
- Shower tray (see page n°214)
- Partial or complete wall covering (see page n°215 Zen Layer)
- kit n°3 wooden shelves
- Stool in wood

EQUIPMENTS	code	white touch keyboard	black touch keyboard	music therapy system	black faucets	
Black	"H"				■	+ 700
Elite control	"D"	■				+ 700
Elite control BLACK	"T"		■			+ 700
Balance BLACK	"P"		■		■	+ 1.800
Music	"I"			■		+ 600
Music BLACK	"Q"			■	■	+ 1.600
Senza pensieri	"N"	■		■		+ 1.300
Senza pensieri BLACK	"M"	■	■	■	■	+ 2.300

Replace "A" with the corresponding code for the chosen equipments.

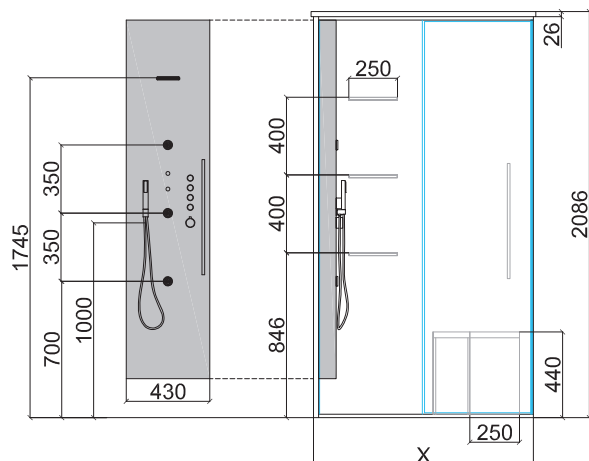
See the pre-installation sheet for the touch display on page 177

TECHNICAL DRAWINGS

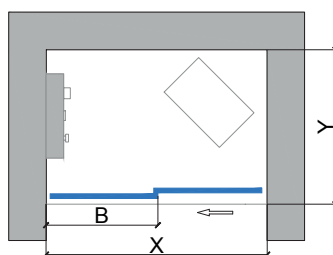


(XxY) mm	(A) mm	(B) mm	kW
1000x700	430	470	2.50 kW
1000x800	430	470	2.50 kW
1200x800	530	570	2.50 kW
1400x800	630	670	3.50 kW
1000x900	430	470	2.50 kW
1200x900	530	570	3.50 kW
1400x900	630	670	3.50 kW
1400x1000	630	670	3.50 kW

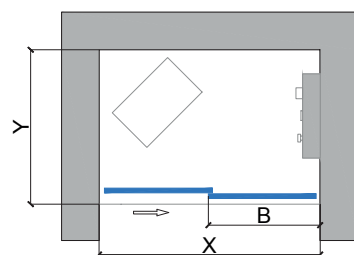
STANDARD HEIGHT	h. 2086 mm
GLASS THICKNESS	6 mm
HANDLE HEIGHT	580 mm
PROTECTIVE TREATMENT	included
WOODEN SHELVES	n°3 included



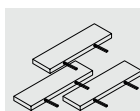
*S LEFT



*D RIGHT

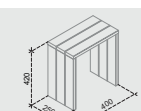


OPTIONS	COD.
Supplementary pre-installation kit for touch display	A6F418 85



OPTIONAL
N°3 wooden shelves

A6F358/L 175



OPTIONAL
Stool in wood
(see page 218)

A6F357/L 680

*The new buttons on the column will be available from 05/2025.

GLASS FINISH



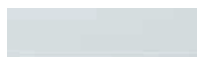
Transparent tempered glass "F"

SITTING & SHELVES

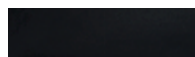


Wood Ash heat treated

PROFILE FINISHES



Matt White Aluminum "E"



Matt Black Aluminum "Z"

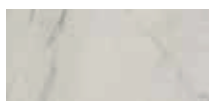


Brushed Silver Aluminum "F"

ROOF AND TECHNICAL DOOR



White "E"



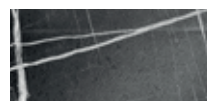
White Marble "5" +5%
replace "Z_N/_/EE_F" with "Z_N/_/SS_F"



Grey "G"



Black "Z"



Marquina Black "2" +5%
replace "ZKP/_/ZZ_F" with "ZKP/_/ZZ_F"

PRICE LIST WITH POINTS

TRANSPARENT GLASS WITH PROTECTIVE	MEASURE	EXTENSIBILITY	kW. HAMMAM	CODE	PROFILES	ROOF	TECHNICAL DOOR	IDRO - M	IDRO/HAMMAM - N	DELIVERY
	1000X700	A: 97 - 100 B: 68	2,50 kW	Z_N107*/EEEAF	MATT WHITE	WHITE	WHITE	4.026	5.343	5-6 weeks
				Z_N107*/ZZZAF	MATT BLACK	BLACK	BLACK	4.026	5.343	5-6 weeks
				Z_N107*/FGGAF	ALU. BRUSHED SILVER	GREY	GREY	4.026	5.343	5-6 weeks
	1000X800	A: 97 - 100 B: 78	2,50 kW	Z_N108*/EEEAF	MATT WHITE	WHITE	WHITE	4.106	5.378	5-6 weeks
				Z_N108*/ZZZAF	MATT BLACK	BLACK	BLACK	4.106	5.378	5-6 weeks
				Z_N108*/FGGAF	ALU. BRUSHED SILVER	GREY	GREY	4.106	5.378	5-6 weeks
	1200X800	A: 117 - 120 B: 78	2,50 kW	Z_N128*/EEEAF	MATT WHITE	WHITE	WHITE	4.198	5.470	5-6 weeks
				Z_N128*/ZZZAF	MATT BLACK	BLACK	BLACK	4.198	5.470	2-3 weeks
				Z_N128*/FGGAF	ALU. BRUSHED SILVER	GREY	GREY	4.198	5.470	5-6 weeks
1400X800	A: 137 - 140 B: 78	3,50 kW	Z_N148*/EEEAF	MATT WHITE	WHITE	WHITE	4.289	5.561	5-6 weeks	
			Z_N148*/ZZZAF	MATT BLACK	BLACK	BLACK	4.289	5.561	5-6 weeks	
			Z_N148*/FGGAF	ALU. BRUSHED SILVER	GREY	GREY	4.289	5.561	5-6 weeks	
1000X900	A: 97 - 100 B: 88	2,50 kW	Z_N109*/EEEAF	MATT WHITE	WHITE	WHITE	4.186	5.619	5-6 weeks	
			Z_N109*/ZZZAF	MATT BLACK	BLACK	BLACK	4.186	5.619	5-6 weeks	
			Z_N109*/FGGAF	ALU. BRUSHED SILVER	GREY	GREY	4.186	5.619	5-6 weeks	
1200X900	A: 117 - 120 B: 88	3,50 kW	Z_N129*/EEEAF	MATT WHITE	WHITE	WHITE	4.278	5.710	5-6 weeks	
			Z_N129*/ZZZAF	MATT BLACK	BLACK	BLACK	4.278	5.710	5-6 weeks	
			Z_N129*/FGGAF	ALU. BRUSHED SILVER	GREY	GREY	4.278	5.710	5-6 weeks	
1400X900	A: 137 - 140 B: 88	3,50 kW	Z_N149*/EEEAF	MATT WHITE	WHITE	WHITE	4.358	5.791	5-6 weeks	
			Z_N149*/ZZZAF	MATT BLACK	BLACK	BLACK	4.358	5.791	5-6 weeks	
			Z_N149*/FGGAF	ALU. BRUSHED SILVER	GREY	GREY	4.358	5.791	5-6 weeks	
1400X1000	A: 137 - 140 B: 98	3,50 kW	Z_N141*/EEEAF	MATT WHITE	WHITE	WHITE	4.438	6.031	5-6 weeks	
			Z_N141*/ZZZAF	MATT BLACK	BLACK	BLACK	4.438	6.031	5-6 weeks	
			Z_N141*/FGGAF	ALU. BRUSHED SILVER	GREY	GREY	4.438	6.031	5-6 weeks	

CUSTOMIZED SIZE:

Width min. 1000 mm - depth min. 700 mm - height min. 1900 mm
Width max. 1800 mm - depth max. 1200 mm - height max. 2200 mm

· For intermediate special sizes consider the price of the next larger size + 5%
· For special measures higher feasibility and price on request

IDRO	HAMMAM
FUNCTIONS	FUNCTIONS
multifunction shower head 20x20 cm	multifunction shower head 20x20 cm
dorsal hydrojets	1 Strip Led rgb
blade of water	dorsal hydrojets
hand shower	Turkish bath on / off button
	blade of water
	hand shower

OPTIONAL:

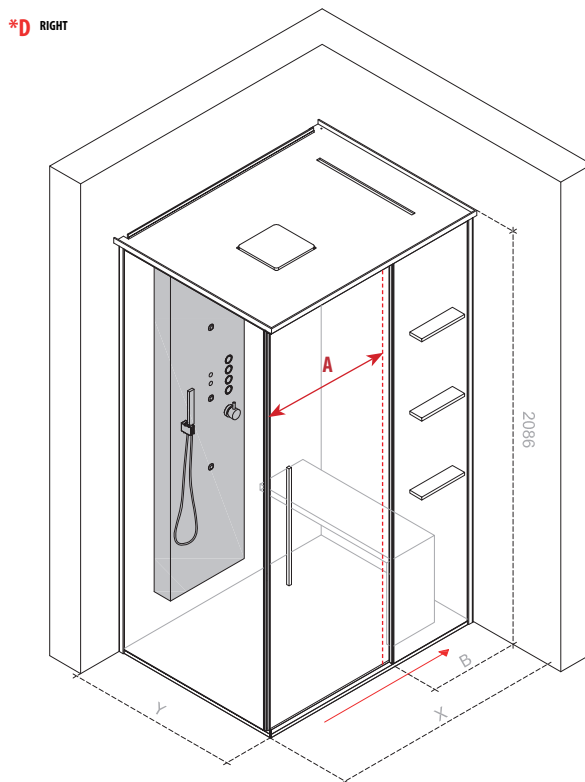
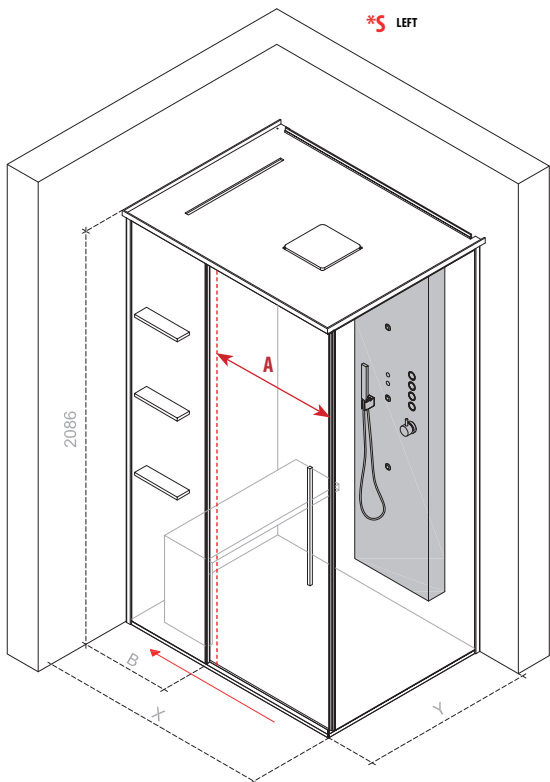
- Shower tray (see page n°214)
- Partial or complete wall covering (see page n°215 Zen Layer)
- kit n°3 wooden shelves
- Stool in wood

EQUIPMENTS	code	white touch keyboard	black touch keyboard	music therapy system	black faucets	
Black	"H"				■	+ 700
Elite control	"D"	■				+ 700
Elite control BLACK	"T"			■		+ 700
Balance BLACK	"P"		■		■	+ 1.800
Music	"I"			■		+ 600
Music BLACK	"Q"			■	■	+ 1.600
Senza pensieri	"N"	■		■		+ 1.300
Senza pensieri BLACK	"M"		■	■	■	+ 2.300

Replace "A" with the corresponding code for the chosen equipments.

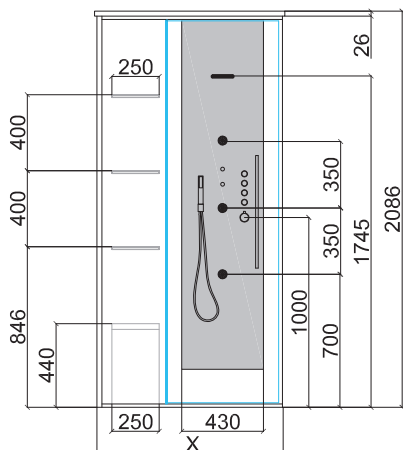
See the pre-installation sheet for the touch display on page 177

TECHNICAL DRAWINGS

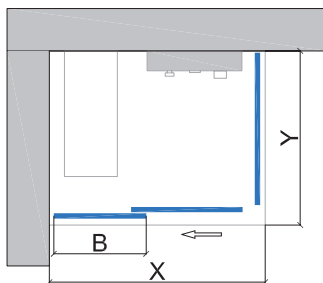


(XxY) mm	(A) mm	(B) mm	kW
1000x700	430	470	2.50 kW
1000x800	430	470	2.50 kW
1200x800	530	570	2.50 kW
1400x800	630	670	3,50 kW
1000x900	430	470	2.50 kW
1200x900	530	570	3.50 kW
1400x900	630	670	3.50 kW
1400x1000	630	670	3.50 kW

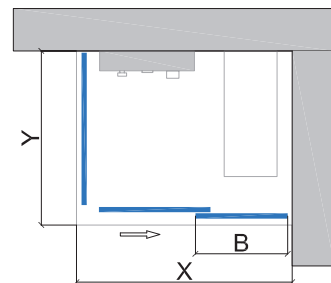
STANDARD HEIGHT	h. 2086 mm
GLASS THICKNESS	6 mm
HANDLE HEIGHT	580 mm
PROTECTIVE TREATMENT	included
WOODEN SHELVES	n°3 included



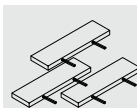
*S LEFT



*D RIGHT

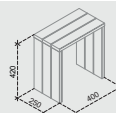


OPTIONS	COD.
Supplementary pre-installation kit for touch display	A6F418 85



OPTIONAL
N°3 wooden shelves

A6F358/L 175



OPTIONAL
Stool in wood
(see page 218)

A6F357/L 680

*The new buttons on the column will be available from 05/2025.

GLASS FINISH



Transparent tempered glass "F"

SITTING & SHELVES



Wood Ash heat treated

PROFILE FINISHES



Matt White Aluminum "E"



Matt Black Aluminum "Z"



Brushed Silver Aluminum "F"

ROOF AND TECHNICAL DOOR



White "E"



White Marble "5" +5%
replace "Z_A_/_EE_F" with "Z_A_/_SS_F"



Grey "G"



Black "Z"



Marquina Black "2" +5%
replace "ZKP_/_ZZ_F" with "ZKP_/_ZZ_F"

PRICE LIST WITH POINTS

TRANSPARENT GLASS WITH PROTECTIVE	MEASURE	EXTENSIBILITY	kW. HAMMAM	CODE	PROFILES	ROOF	TECHNICAL DOOR	IDRO - K	IDRO/HAMMAM - L	DELIVERY
	1000X700	A: 98-100 B: 68-70	2,5 kW	Z_A107*/EEEAF	MATT WHITE	WHITE	WHITE	4.647	5.759	5-6 weeks
				Z_A107*/ZZZAF	MATT BLACK	BLACK	BLACK	4.647	5.759	5-6 weeks
				Z_A107*/FGGAF	ALU. BRUSHED SILVER	GREY	GREY	4.647	5.759	5-6 weeks
	1000X800	A: 98-100 B: 78-80	2,5 kW	Z_A108*/EEEAF	MATT WHITE	WHITE	WHITE	4.726	5.999	5-6 weeks
				Z_A108*/ZZZAF	MATT BLACK	BLACK	BLACK	4.726	5.999	5-6 weeks
				Z_A108*/FGGAF	ALU. BRUSHED SILVER	GREY	GREY	4.726	5.999	5-6 weeks
	1200X800	A: 118-120 B: 78-80	2,5 kW	Z_A128*/EEEAF	MATT WHITE	WHITE	WHITE	4.818	6.091	5-6 weeks
				Z_A128*/ZZZAF	MATT BLACK	BLACK	BLACK	4.818	6.091	2-3 weeks
				Z_A128*/FGGAF	ALU. BRUSHED SILVER	GREY	GREY	4.818	6.091	5-6 weeks
1400X800	A: 138-140 B: 78-80	3,5 kW	Z_A148*/EEEAF	MATT WHITE	WHITE	WHITE	4.910	6.183	5-6 weeks	
			Z_A148*/ZZZAF	MATT BLACK	BLACK	BLACK	4.910	6.183	5-6 weeks	
			Z_A148*/FGGAF	ALU. BRUSHED SILVER	GREY	GREY	4.910	6.183	5-6 weeks	
1000X900	A: 98-100 B: 88-90	2,5 kW	Z_A109*/EEEAF	MATT WHITE	WHITE	WHITE	4.808	6.240	5-6 weeks	
			Z_A109*/ZZZAF	MATT BLACK	BLACK	BLACK	4.808	6.240	5-6 weeks	
			Z_A109*/FGGAF	ALU. BRUSHED SILVER	GREY	GREY	4.808	6.240	5-6 weeks	
1200X900	A: 118-120 B: 88-90	3,5 kW	Z_A129*/EEEAF	MATT WHITE	WHITE	WHITE	4.887	6.321	5-6 weeks	
			Z_A129*/ZZZAF	MATT BLACK	BLACK	BLACK	4.887	6.321	5-6 weeks	
			Z_A129*/FGGAF	ALU. BRUSHED SILVER	GREY	GREY	4.887	6.321	5-6 weeks	
1400X900	A: 138-140 B: 88-90	3,5 kW	Z_A149*/EEEAF	MATT WHITE	WHITE	WHITE	4.979	6.412	5-6 weeks	
			Z_A149*/ZZZAF	MATT BLACK	BLACK	BLACK	4.979	6.412	5-6 weeks	
			Z_A149*/FGGAF	ALU. BRUSHED SILVER	GREY	GREY	4.979	6.412	5-6 weeks	
1400X1000	A: 138-140 B: 98-100	3,5 kW	Z_A141*/EEEAF	MATT WHITE	WHITE	WHITE	5.048	6.641	5-6 weeks	
			Z_A141*/ZZZAF	MATT BLACK	BLACK	BLACK	5.048	6.641	5-6 weeks	
			Z_A141*/FGGAF	ALU. BRUSHED SILVER	GREY	GREY	5.048	6.641	5-6 weeks	

CUSTOMIZED SIZE:

Width min. 1000 mm - depth min. 700 mm - height min. 1900 mm
Width max. 1800 mm - depth max. 1200 mm - height max. 2200 mm

· For intermediate special sizes consider the price of the next larger size + 5%
· For special measures higher feasibility and price on request

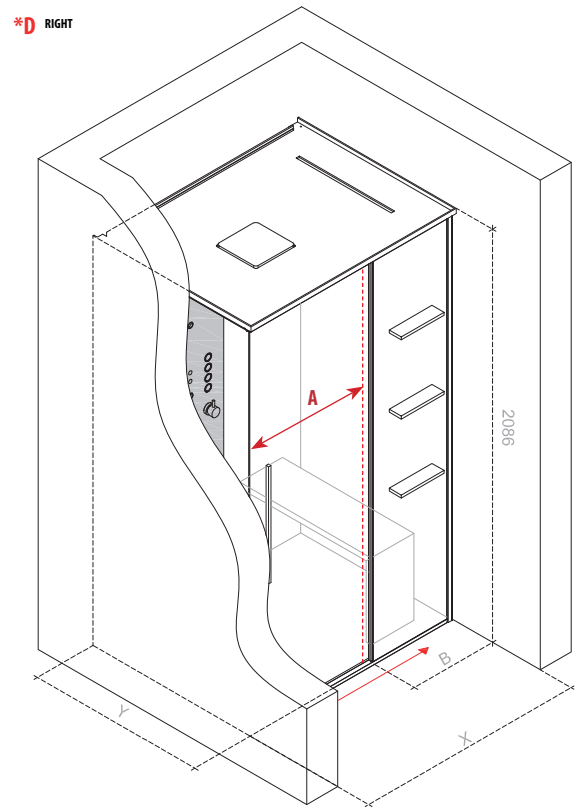
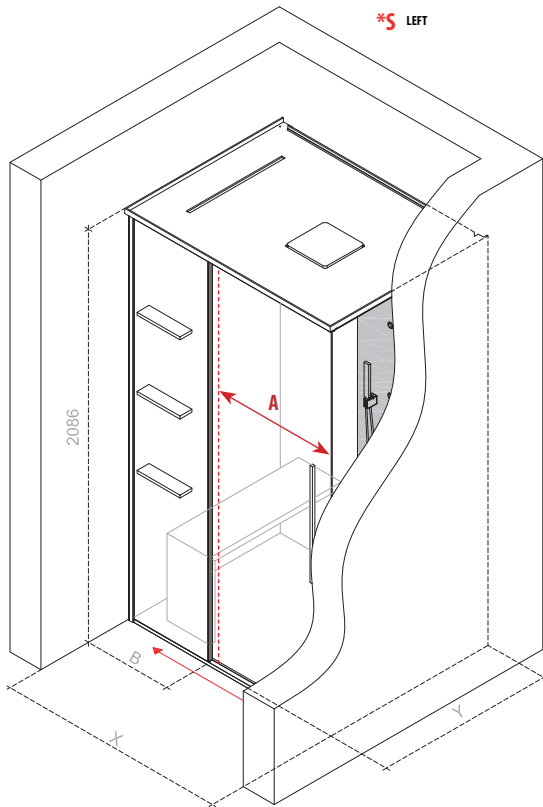
IDRO	HAMMAM
FUNCTIONS	FUNCTIONS
multifunction shower head 20x20 cm	multifunction shower head 20x20 cm
dorsal hydrojets	1 Strip Led rgb
blade of water	dorsal hydrojets
hand shower	Turkish bath on / off button
	blade of water
	hand shower

EQUIPMENTS	code	white touch keyboard	black touch keyboard	music therapy system	black faucets	
Black	"H"				■	+ 700
Elite control	"D"	■				+ 700
Elite control BLACK	"T"		■			+ 700
Balance BLACK	"P"		■		■	+ 1.800
Music	"I"			■		+ 600
Music BLACK	"Q"			■	■	+ 1.600
Senza pensieri	"N"	■		■		+ 1.300
Senza pensieri BLACK	"M"	■	■	■	■	+ 2.300

Replace "A" with the corresponding code for the chosen equipments.

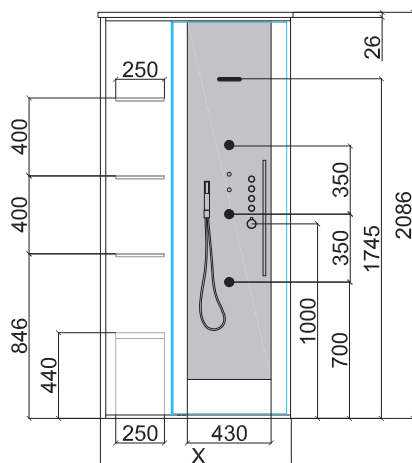
See the pre-installation sheet for the touch display on page 177

TECHNICAL DRAWINGS

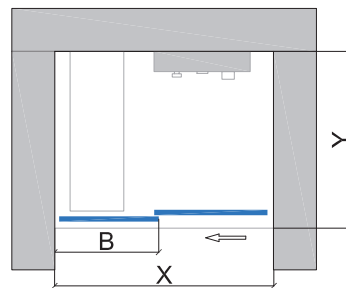


(XxY) mm	(A) mm	(B) mm	kW
1000x700	430	470	2.50 kW
1000x800	430	470	2.50 kW
1200x800	530	570	2.50 kW
1400x800	630	670	3,50 kW
1000x900	430	470	2.50 kW
1200x900	530	570	3.50 kW
1400x900	630	670	3.50 kW
1400x1000	630	670	3.50 kW

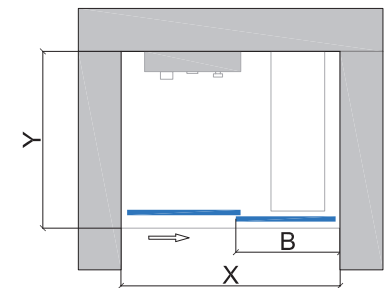
STANDARD HEIGHT	h. 2086 mm
GLASS THICKNESS	6 mm
HANDLE HEIGHT	580 mm
PROTECTIVE TREATMENT	included
WOODEN SHELVES	n°3 included



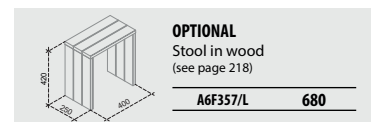
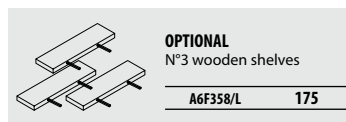
*S LEFT



*D RIGHT



OPTIONS	COD.
Supplementary pre-installation kit for touch display	A6F418 85



*The new buttons on the column will be available from 05/2025.

GLASS FINISH



Transparent tempered glass "F"

SITTING & SHELVES



Wood Ash heat treated

PROFILE FINISHES



Matt White Aluminum "E"



Matt Black Aluminum "Z"



Brushed Silver Aluminum "F"

ROOF AND TECHNICAL DOOR



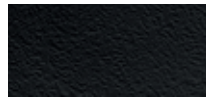
White "E"



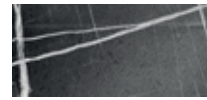
White Marble "5" +5%
replace "Z_N/_/EE_F" with "Z_N/_/55_F"



Grey "G"



Black "Z"



Marquina Black "2" +5%
replace "ZKP/_/ZZ_F" with "ZKP/_/22_F"

PRICE LIST WITH POINTS

MEASURE	EXTENSIBILITY	kW. HAMMAM	CODE	PROFILES	ROOF	TECHNICAL DOOR	IDRO - K	IDRO/HAMMAM - L	DELIVERY
1000X700	A: 97 - 100 B: 68	2,50 kW	Z_N107*/EEEAF	MATT WHITE	WHITE	WHITE	4.418	5.735	5-6 weeks
			Z_N107*/ZZZAF	MATT BLACK	BLACK	BLACK	4.418	5.735	5-6 weeks
			Z_N107*/FGGAF	ALU. BRUSHED SILVER	GREY	GREY	4.418	5.735	5-6 weeks
1000X800	A: 97 - 100 B: 78	2,50 kW	Z_N108*/EEEAF	MATT WHITE	WHITE	WHITE	4.498	5.770	5-6 weeks
			Z_N108*/ZZZAF	MATT BLACK	BLACK	BLACK	4.498	5.770	5-6 weeks
			Z_N108*/FGGAF	ALU. BRUSHED SILVER	GREY	GREY	4.498	5.770	5-6 weeks
1200X800	A: 117 - 120 B: 78	2,50 kW	Z_N128*/EEEAF	MATT WHITE	WHITE	WHITE	4.590	5.862	5-6 weeks
			Z_N128*/ZZZAF	MATT BLACK	BLACK	BLACK	4.590	5.862	2-3 weeks
			Z_N128*/FGGAF	ALU. BRUSHED SILVER	GREY	GREY	4.590	5.862	5-6 weeks
1400X800	A: 137 - 140 B: 78	3,50 kW	Z_N148*/EEEAF	MATT WHITE	WHITE	WHITE	4.681	5.953	5-6 weeks
			Z_N148*/ZZZAF	MATT BLACK	BLACK	BLACK	4.681	5.953	5-6 weeks
			Z_N148*/FGGAF	ALU. BRUSHED SILVER	GREY	GREY	4.681	5.953	5-6 weeks
1000X900	A: 97 - 100 B: 88	2,50 kW	Z_N109*/EEEAF	MATT WHITE	WHITE	WHITE	4.578	6.011	5-6 weeks
			Z_N109*/ZZZAF	MATT BLACK	BLACK	BLACK	4.578	6.011	5-6 weeks
			Z_N109*/FGGAF	ALU. BRUSHED SILVER	GREY	GREY	4.578	6.011	5-6 weeks
1200X900	A: 117 - 120 B: 88	3,50 kW	Z_N129*/EEEAF	MATT WHITE	WHITE	WHITE	4.670	6.102	5-6 weeks
			Z_N129*/ZZZAF	MATT BLACK	BLACK	BLACK	4.670	6.102	5-6 weeks
			Z_N129*/FGGAF	ALU. BRUSHED SILVER	GREY	GREY	4.670	6.102	5-6 weeks
1400X900	A: 137 - 140 B: 88	3,50 kW	Z_N149*/EEEAF	MATT WHITE	WHITE	WHITE	4.750	6.183	5-6 weeks
			Z_N149*/ZZZAF	MATT BLACK	BLACK	BLACK	4.750	6.183	5-6 weeks
			Z_N149*/FGGAF	ALU. BRUSHED SILVER	GREY	GREY	4.750	6.183	5-6 weeks
1400X1000	A: 137 - 140 B: 98	3,50 kW	Z_N141*/EEEAF	MATT WHITE	WHITE	WHITE	4.830	6.423	5-6 weeks
			Z_N141*/ZZZAF	MATT BLACK	BLACK	BLACK	4.830	6.423	5-6 weeks
			Z_N141*/FGGAF	ALU. BRUSHED SILVER	GREY	GREY	4.830	6.423	5-6 weeks

CUSTOMIZED SIZE:

Width min. 1000 mm - depth min. 700 mm - height min. 1900 mm
Width max. 1800 mm - depth max. 1200 mm - height max. 2200 mm

· For intermediate special sizes consider the price of the next larger size + 5%
· For special measures higher feasibility and price on request

IDRO	HAMMAM
FUNCTIONS	FUNCTIONS
multifunction shower head 20x20 cm	multifunction shower head 20x20 cm
dorsal hydrojets	1 Strip Led rgb
blade of water	dorsal hydrojets
hand shower	Turkish bath on / off button
	blade of water
	hand shower

OPTIONAL:

- Shower tray (see page n°214)
- Partial or complete wall covering (see page n°215 Zen Layer)
- kit n°3 wooden shelves
- Stool in wood

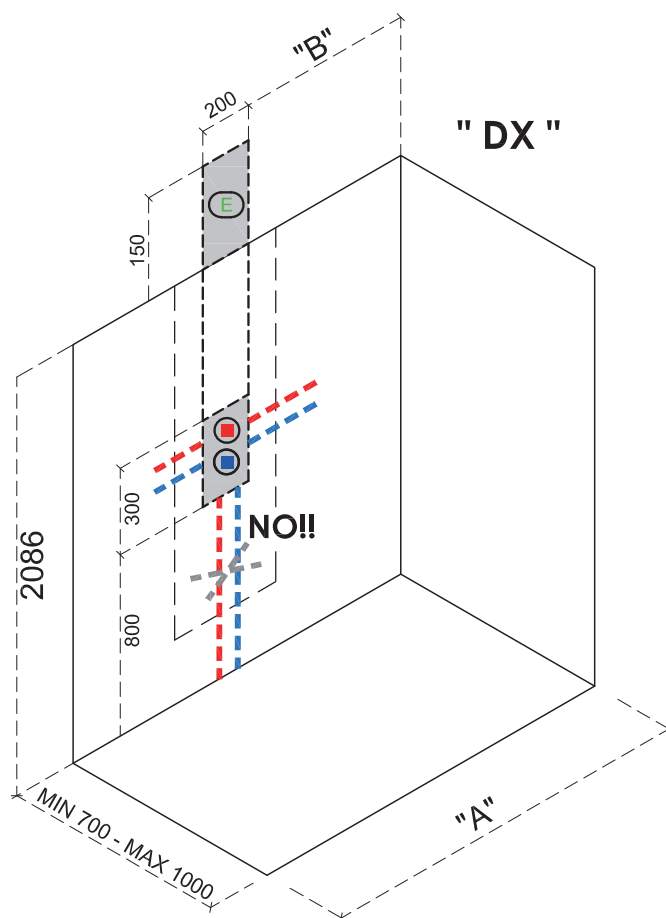
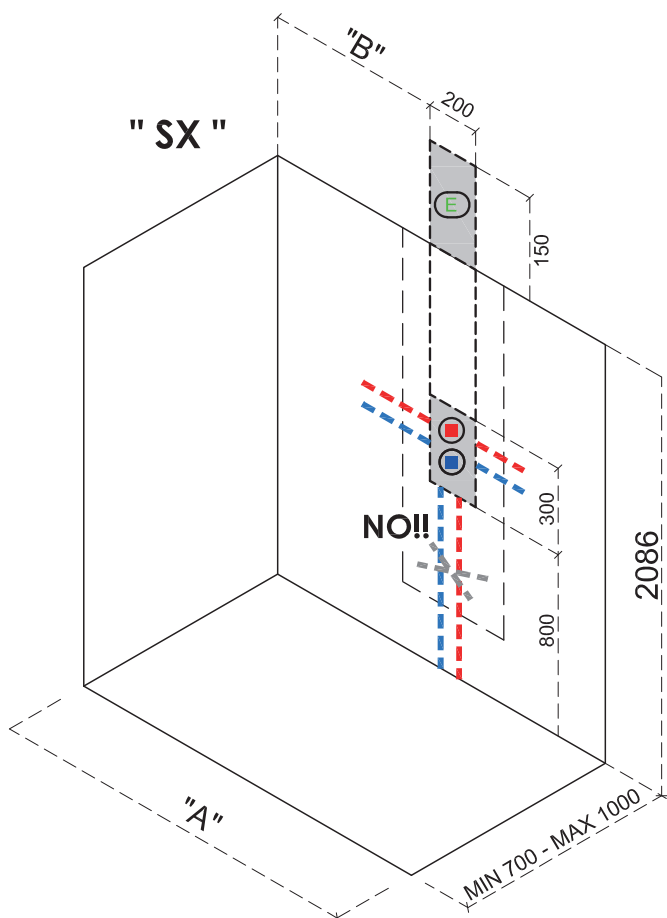
EQUIPMENTS	code	white touch keyboard	black touch keyboard	music therapy system	black faucets	
Black	"H"				■	+ 700
Elite control	"D"	■				+ 700
Elite control BLACK	"T"		■			+ 700
Balance BLACK	"P"		■		■	+ 1.800
Music	"I"			■		+ 600
Music BLACK	"Q"			■	■	+ 1.600
Senza pensieri	"N"	■		■		+ 1.300
Senza pensieri BLACK	"M"		■	■	■	+ 2.300

Replace "A" with the corresponding code for the chosen equipments.

See the pre-installation sheet for the touch display on page 177

PRE-INSTALLATION SHEET

CORNER - SLIDING/PIVOT - LONG SIDE COLUMN



E Power supply 220V - 50Hz variable power mq. hammam

■ Hot water connection for taps 1/2'

■ Cold water connection for taps 1/2'



Fully inspectable area for hydraulic and electrical connections

(A) mm	(B) mm	kW
1.000	550	2.50 kW
1.200	650	2.50 kW
1.400	750	3.50 kW

ELECTRICAL SAFETY

The product assumes that the system to which it is connected and the room in which it is installed meet the safety requirements established by rules and laws, including:

- Have an efficient protection (grounding) circuit.
- Have a high sensitivity differential protection device according to the power of the steam generator.
- Limitation of electrical devices in the zones (zones 0, 1, 2, 3) of the bathrooms and their equipotentiality.
- Prepare a mains disconnector with contact opening <3 mm and characteristics suitable for the nominal sauna data.
- Prepare a suitable connection system with a standard cable according to the installed power.
- Use of electrical equipment certified according to the rules.

HYDRAULIC SAFETY

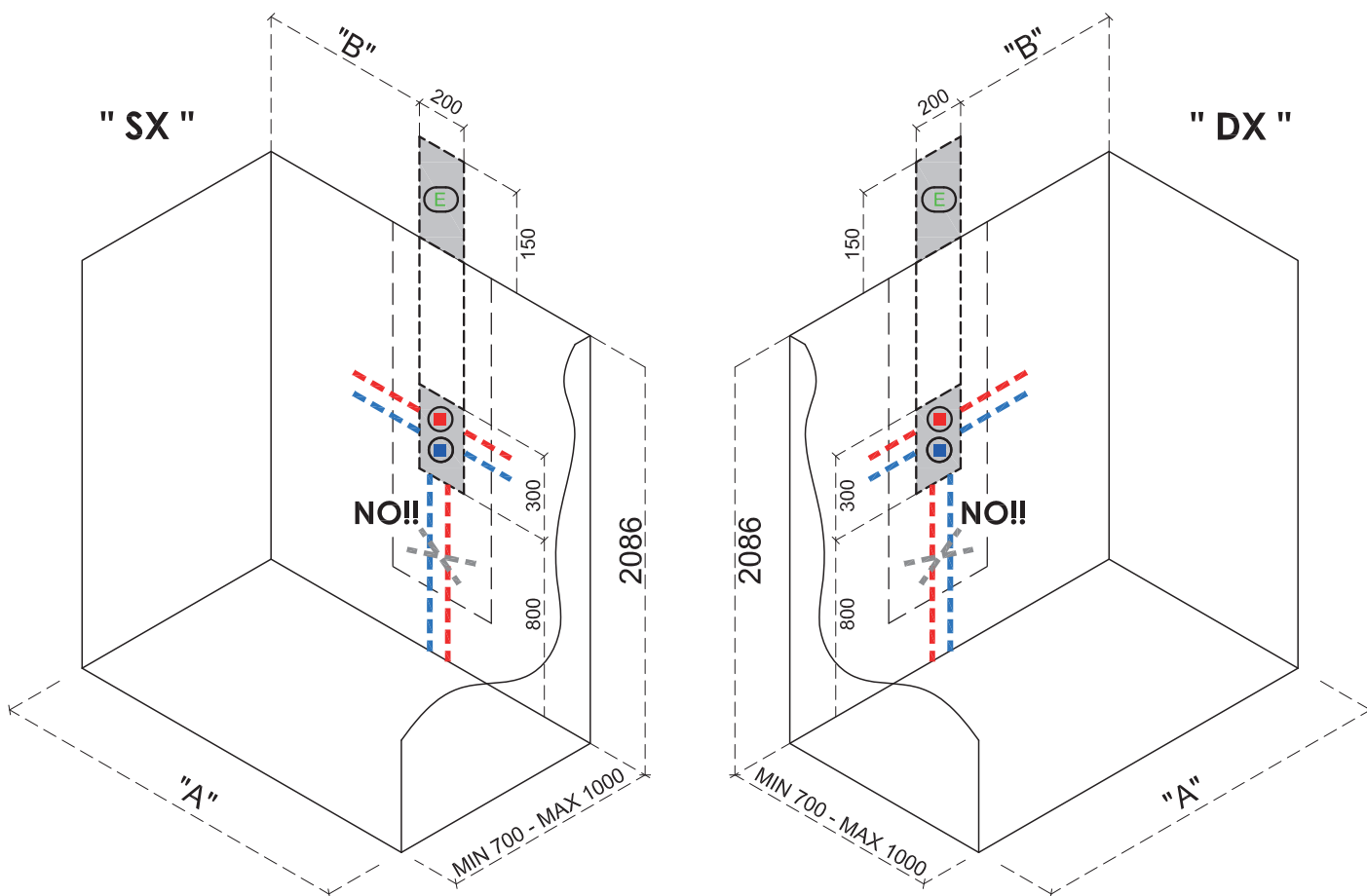
Prepare the hot and cold water supply connections and the drain connection. For the correct functioning of the turkish bath and the multifunctional systems the water system must have the following characteristics

- Normal pressure at 3.5 bar.
- Min / Max network pressure from 2 to 5 bar.
- Hot water temperature at 60 ° C.
- Minimum water flow 12 l / min

The connection to the water network must be carried out in compliance with the provisions of the law and current regulations also concerning the pollution of water networks.

PRE-INSTALLATION SHEET

NICHE - SLIDING/PIVOT - LONG SIDE COLUMN



E Power supply 220V - 50Hz variable power mq. hammam

■ Hot water connection for taps 1/2'

■ Cold water connection for taps 1/2'



Fully inspectable area for hydraulic and electrical connections

ELECTRICAL SAFETY

The product assumes that the system to which it is connected and the room in which it is installed meet the safety requirements established by rules and laws, including:

- Have an efficient protection (grounding) circuit.
- Have a high sensitivity differential protection device according to the power of the steam generator.
- Limitation of electrical devices in the zones (zones 0, 1, 2, 3) of the bathrooms and their equipotentiality.
- Prepare a mains disconnector with contact opening <3 mm and characteristics suitable for the nominal sauna data.
- Prepare a suitable connection system with a standard cable according to the installed power.
- Use of electrical equipment certified according to the rules.

(A) mm	(B) mm	kW
1.000	550	2.50 kW
1.200	650	2.50 kW
1.400	750	3.50 kW

HYDRAULIC SAFETY

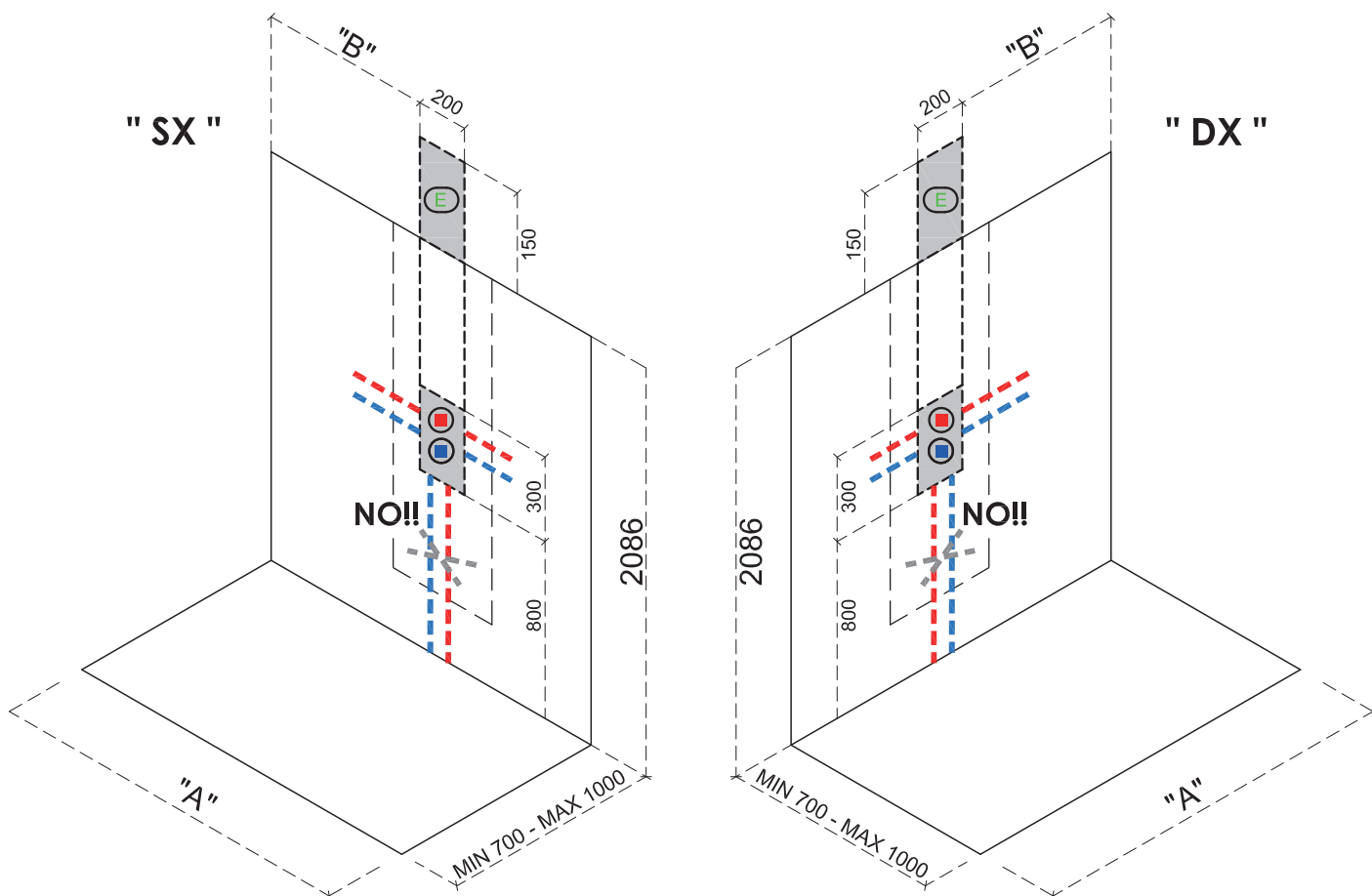
Prepare the hot and cold water supply connections and the drain connection. For the correct functioning of the turkish bath and the multifunctional systems the water system must have the following characteristics

- Normal pressure at 3.5 bar.
- Min / Max network pressure from 2 to 5 bar.
- Hot water temperature at 60 °C.
- Minimum water flow 12 l / min

The connection to the water network must be carried out in compliance with the provisions of the law and current regulations also concerning the pollution of water networks.

PRE-INSTALLATION SHEET

3 SIDE - SLIDING/PIVOT - LONG SIDE COLUMN



E Power supply 220V - 50Hz variable power mq. hammam

■ Hot water connection for taps 1/2'

■ Cold water connection for taps 1/2'



Fully inspectable area for hydraulic and electrical connections

(A) mm	(B) mm	kW
1.000	550	2.50 kW
1.200	650	2.50 kW
1.400	750	3.50 kW

ELECTRICAL SAFETY

The product assumes that the system to which it is connected and the room in which it is installed meet the safety requirements established by rules and laws, including:

- Have an efficient protection (grounding) circuit.
- Have a high sensitivity differential protection device according to the power of the steam generator.
- Limitation of electrical devices in the zones (zones 0, 1, 2, 3) of the bathrooms and their equipotentiality.
- Prepare a mains disconnector with contact opening <3 mm and characteristics suitable for the nominal sauna data.
- Prepare a suitable connection system with a standard cable according to the installed power.
- Use of electrical equipment certified according to the rules.

HYDRAULIC SAFETY

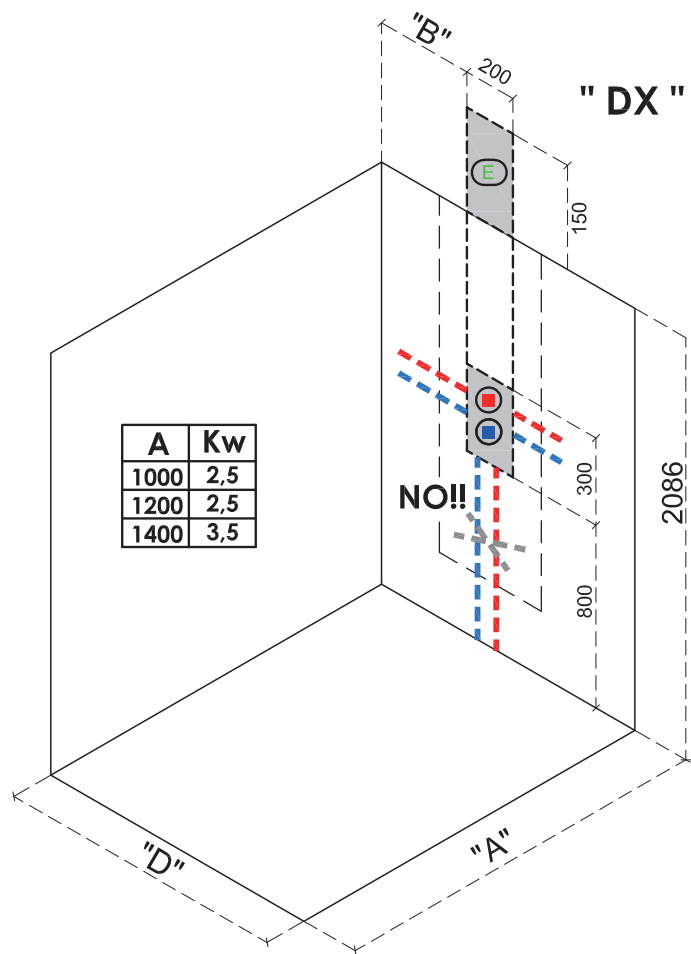
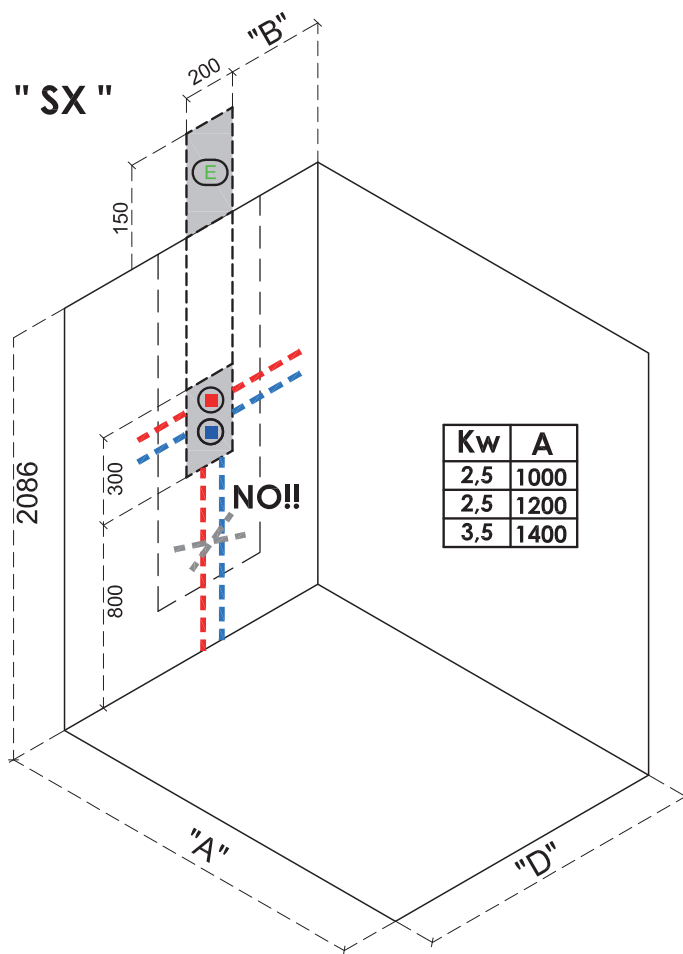
Prepare the hot and cold water supply connections and the drain connection. For the correct functioning of the turkish bath and the multifunctional systems the water system must have the following characteristics

- Normal pressure at 3.5 bar.
- Min / Max network pressure from 2 to 5 bar.
- Hot water temperature at 60 ° C.
- Minimum water flow 12 l / min

The connection to the water network must be carried out in compliance with the provisions of the law and current regulations also concerning the pollution of water networks.

PRE-INSTALLATION SHEET

CORNER - SLIDING/PIVOT - SHORT SIDE COLUMN



Power supply 220V - 50Hz variable power mq. hammam

Hot water connection for taps 1/2'

Cold water connection for taps 1/2'



Fully inspectable area for hydraulic and electrical connections

(A) mm	(B) mm	kW
1.000	550	2.50 kW
1.200	650	2.50 kW
1.400	750	3.50 kW

ELECTRICAL SAFETY

The product assumes that the system to which it is connected and the room in which it is installed meet the safety requirements established by rules and laws, including:

- Have an efficient protection (grounding) circuit.
- Have a high sensitivity differential protection device according to the power of the steam generator.
- Limitation of electrical devices in the zones (zones 0, 1, 2, 3) of the bathrooms and their equipotentiality.
- Prepare a mains disconnector with contact opening <3 mm and characteristics suitable for the nominal sauna data.
- Prepare a suitable connection system with a standard cable according to the installed power.
- Use of electrical equipment certified according to the rules.

HYDRAULIC SAFETY

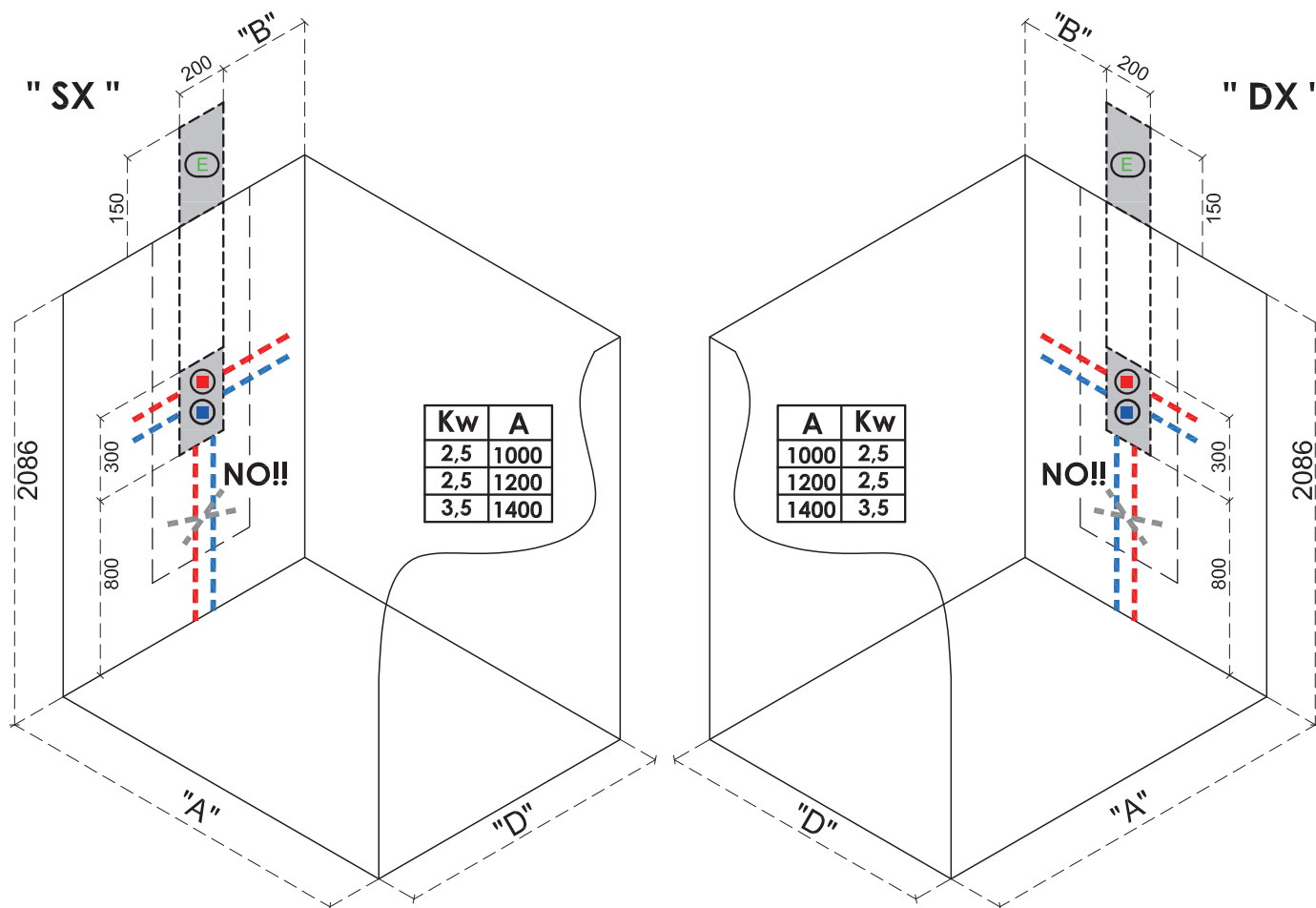
Prepare the hot and cold water supply connections and the drain connection. For the correct functioning of the turkish bath and the multifunctional systems the water system must have the following characteristics

- Normal pressure at 3.5 bar.
- Min / Max network pressure from 2 to 5 bar.
- Hot water temperature at 60 °C.
- Minimum water flow 12 l / min

The connection to the water network must be carried out in compliance with the provisions of the law and current regulations also concerning the pollution of water networks.

PRE-INSTALLATION SHEET

NICHE - SLIDING/PIVOT - SHORT SIDE COLUMN



Power supply 220V - 50Hz variable power mq. hammam

Hot water connection for taps 1/2'

Cold water connection for taps 1/2'



Fully inspectable area for hydraulic and electrical connections

(A) mm	(B) mm	kW
1.000	550	2.50 kW
1.200	650	2.50 kW
1.400	750	3.50 kW

ELECTRICAL SAFETY

The product assumes that the system to which it is connected and the room in which it is installed meet the safety requirements established by rules and laws, including:

- Have an efficient protection (grounding) circuit.
- Have a high sensitivity differential protection device according to the power of the steam generator.
- Limitation of electrical devices in the zones (zones 0, 1, 2, 3) of the bathrooms and their equipotentiality.
- Prepare a mains disconnector with contact opening <3 mm and characteristics suitable for the nominal sauna data.
- Prepare a suitable connection system with a standard cable according to the installed power.
- Use of electrical equipment certified according to the rules.

HYDRAULIC SAFETY

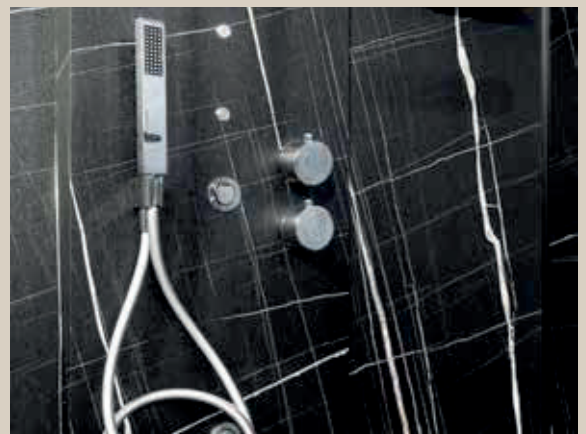
Prepare the hot and cold water supply connections and the drain connection.

For the correct functioning of the turkish bath and the multifunctional systems the water system must have the following characteristics

- Normal pressure at 3.5 bar.
- Min / Max network pressure from 2 to 5 bar.
- Hot water temperature at 60 °C.
- Minimum water flow 12 l / min

The connection to the water network must be carried out in compliance with the provisions of the law and current regulations also concerning the pollution of water networks.

ZEN IDRO HAMMAM

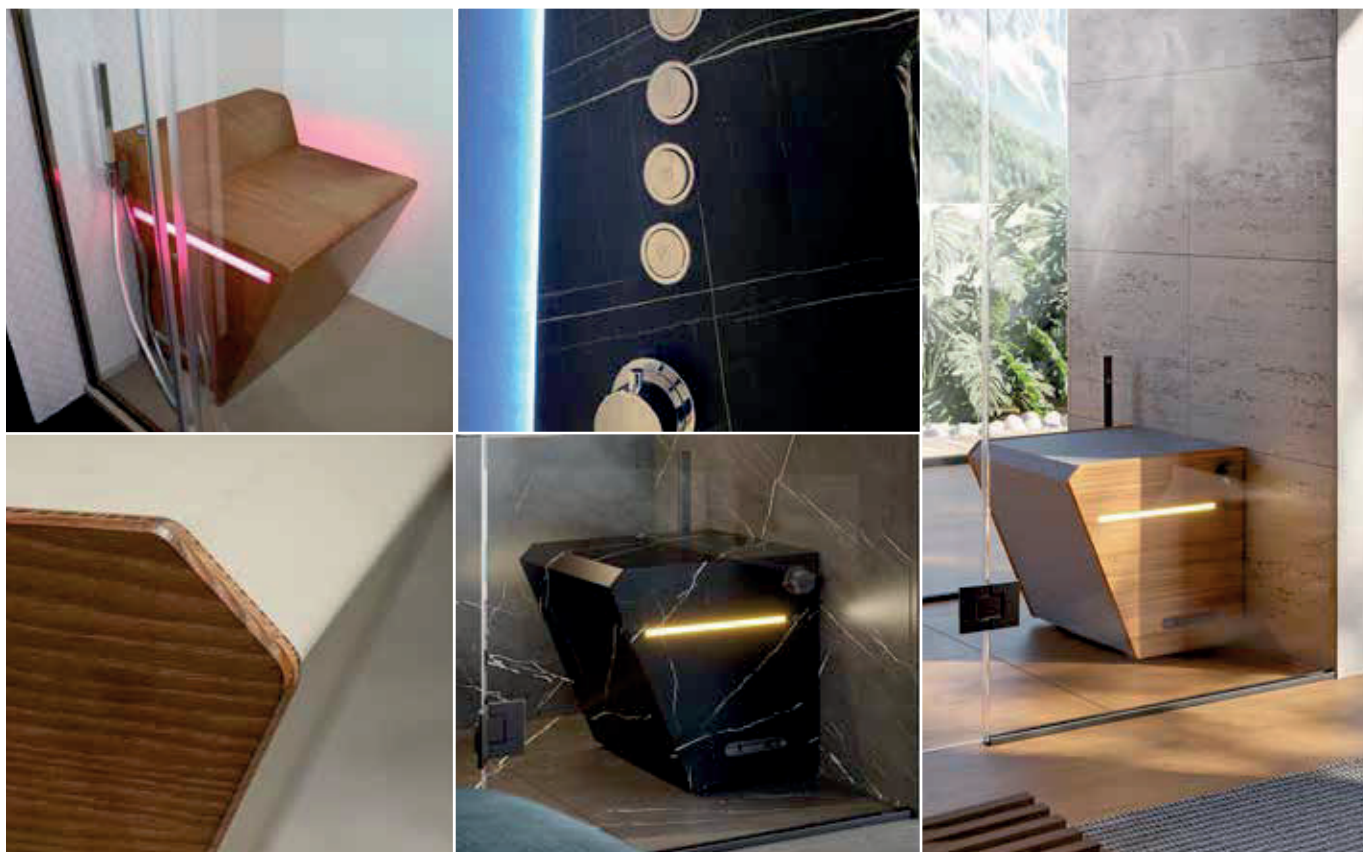


STEAM GENERATORS

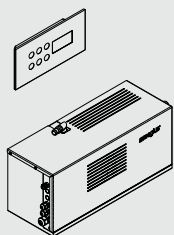
STEAM GENERATORS FOR HAMMAMS ARE A CORNERSTONE OF THE WELLZONE FAMILY:

Steam-Quadro, Steam-Panel and Steam-Me are innovative steam dispensing systems with all the functions of a shower column. Thanks to the presence of vertical LED strips, light effects are created, transforming your simple shower into an emotional shower.

STYLE DETAILS



These generators are the ideal solution for creating a high-performance steam bath, perfect for both small spaces and larger environments. Suitable for both domestic and professional use, they ensure excellent performance even in large areas. They can be installed either inside or outside the space to be filled with steam, providing maximum flexibility and functionality.

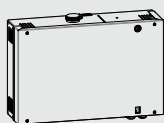


Steam-Mistry

3-5 kW / 4-6 m³ / 4-7 kg/h

p.170

STEAM GENERATOR FOR DOMESTIC USE

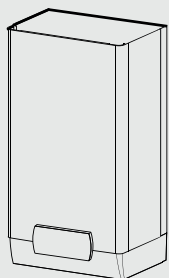


Steam-Mistry Comfort

3-5 kW / 4-6 m³ / 7-9,75 kg/h

p.171

PROFESSIONAL STEAM GENERATOR FOR CONTINUOUS USE



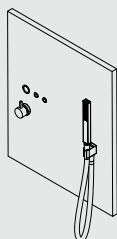
Steam-Mistry Pro

6,75-11,25 kW / 9-15 m³ / 9-15 kg/h

On request up to 40 m³

p.172

PROFESSIONAL STEAM GENERATOR FOR CONTINUOUS USE



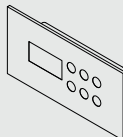
Steam Quadro

2,5-3,5 kW / 4-6 m³ / 3,33-4,66 kg/h

p.173

STEAM GENERATOR FOR DOMESTIC USE

The new Touch Display introduces an important innovation: it is compatible with most Megius wellness products, allowing for the combination and management of their diverse functions in a synergistic way among products with different features. Available in two colors: white and black.



Integrated Spa control

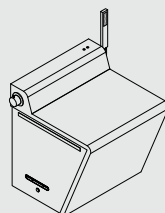
p.177



HOME AUTOMATION CONNECTION PRE-SETUP:

The **sauna y hammam** can be integrated with compatible home automation systems, thanks to the pre-configured electronic board. This allows you to control the heater's on and off functions directly through the system, offering advanced comfort and convenience.

All the benefits of a steam bath combined with state-of-the-art technology: **Steam-Me Wood, Steam-Me Soft and Steam-Me HPL**, the innovative seat can be positioned inside your shower cubicle to transform it into a real hammam; it comes in two versions without or with Chromotherapy, thanks to the LED light bands positioned underneath the seat.

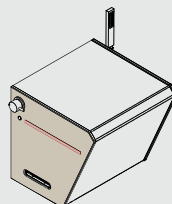


Steam-Me Wood

2,5-3,5 kW / 4-5 m³ / 3,33-4,66 kg/h

p.174

STEAM GENERATOR FOR DOMESTIC USE

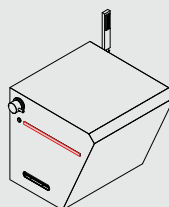


Steam-Me Soft

2,5-3,5 kW / 4-5 m³ / 3,33-4,66 kg/h

p.175

STEAM GENERATOR FOR DOMESTIC USE



Steam-Me HPL

2,5-3,5 kW / 4-5 m³ / 3,33-4,66 kg/h

p.176

STEAM GENERATOR FOR DOMESTIC USE

STEAM-MISTERY

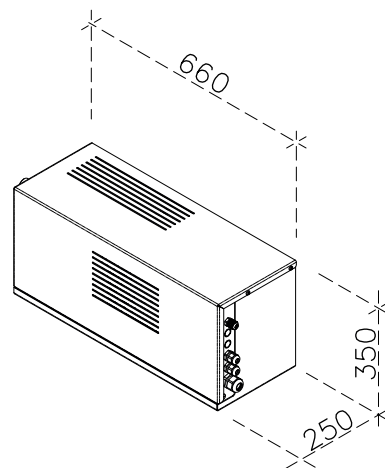
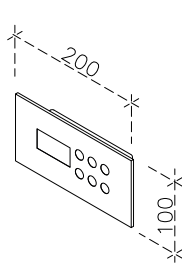
DISPLAY COLOUR



Back-painted glass White "I"



Back-painted glass Black "Z"



STEAM GENERATOR FOR DOMESTIC USE

Perfect for private homes, this steam generator combines compactness and quiet operation, offering a personalized hammam experience. Easy to install and manage, it ensures reliable performance for occasional use.

kW	Steam production	BOILER	COLOUR DISPLAY	COD.	DELIVERY
3 Kw	4 kg/h	for volume till 4 m ³ *	WHITE	AWZGV28/A1	4.300 4-5
			BLACK	AWZGV28/AZ	
5 Kw	7 kg/h	for volume till 6 m ³ *	WHITE	AWZGV56/A1	4.500 4-5
			BLACK	AWZGV56/AZ	

Features/components

steam outlet grill
touch-screen display
temperature probe

OPTIONAL

matching shower head (see page n°192)

OPTIONS	COD.	
Supplementary pre-installation kit for touch display	A6F418	85

See the pre-installation sheet for the touch display on page 177

EQUIPMENTS	code	buttons in satin silver finish	buttons in matte black finish	music therapy system	Chromotherapy RGB	
Easy control 2	"B"	■				+ 900
Easy control 2 BLACK	"Y"		■			+ 1.000
Relax	"F"	■		■	■	+ 1.800
Relax BLACK	"W"		■	■	■	+ 1.800

Replace "A" with the corresponding code for the chosen equipments.

UPON ORDER CONFIRMATION, IT IS MANDATORY TO PROVIDE WATER ANALYSIS.

STEAM-MYSTERY COMFORT

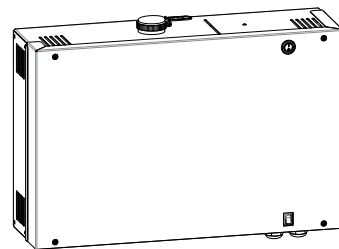
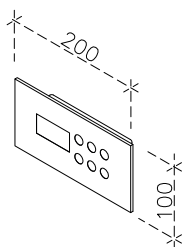
DISPLAY COLOUR



Back-painted glass White "I"



Back-painted glass Black "Z"



PROFESSIONAL STEAM GENERATOR FOR CONTINUOUS USE

Designed for intensive use, this professional steam generator ensures high performance and durability over time. Ideal for wellness centers and spas, it guarantees continuous operation and optimal management even under maximum usage conditions.

WITH RESISTANCES

SUITABLE FOR ALL TYPES OF WATER SOFTENED WITH REVERSE OSMOSIS SOFTENERS (NOT RECOMMENDED FOR SOFTENERS WITH SALT).

kW	BOILER	DIMENSION	Steam production	COLOUR DISPLAY	COD.	DELIVERY
5,00 Kw - 230-400V	for volume till 6 m ³ *	580x370x170	7 kg/h	WHITE	AWZMC50/1	7.700 4-5
				BLACK	AWZMC50/Z	
7,50 Kw - 230-400V	for volume till 10 m ³ *	580x370x170	9,75 kg/h	WHITE	AWZMC75/1	8.300 4-5
				BLACK	AWZMC75/Z	

See the pre-installation sheet for the touch display on page 177

Features/components

steam outlet grill
touch-screen display
temperature probe

OPTIONAL

matching shower head (see page n°192)

OPTIONS	COD.	
MISTERY PROFESSIONAL INSTALLATION KIT	AWZ007	3.030

OPTIONS	COD.	
Supplementary pre-installation kit for touch display	A6F418	85

UPON ORDER CONFIRMATION, IT IS MANDATORY TO PROVIDE WATER ANALYSIS.

STEAM-MISTERY PRO

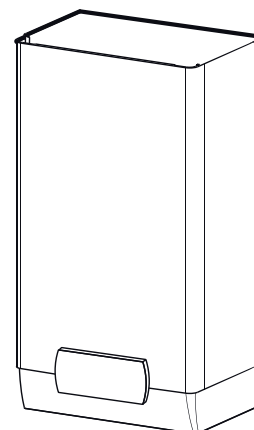
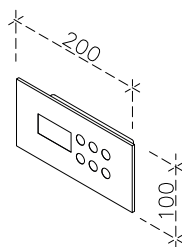
DISPLAY COLOUR



Back-painted glass White "I"



Back-painted glass Black "Z"



PROFESSIONAL STEAM GENERATOR FOR CONTINUOUS USE

Designed for intensive use, this professional steam generator ensures high performance and durability over time. Ideal for wellness centers and spas, it guarantees continuous operation and optimal management even under maximum usage conditions.

WITH RESISTANCES

SUITABLE FOR ALL TYPES OF WATER SOFTENED WITH REVERSE OSMOSIS SOFTENERS (NOT RECOMMENDED FOR SOFTENERS WITH SALT).

kW	BOILER	DIMENSION	Steam production	COLOUR DISPLAY	COD.	DELIVERY
7,4 Kw - 400V	for volume till 10 m ³ *	365x283x712	9,75 kg/h	WHITE	AWZMPR70/1	9.500 4-5
				BLACK	AWZMPR70/Z	
10 Kw - 400V	for volume till 13 m ³ *	365x283x712	13,3 kg/h	WHITE	AWZMPR10/1	10.260 4-5
				BLACK	AWZMPR10/Z	

On request up to 40 m³

See the pre-installation sheet for the touch display on page 177

WITH ELECTRODES

SUITABLE FOR ALL TYPES OF WATER SOFTENED WITH REVERSE OSMOSIS SOFTENERS (NOT RECOMMENDED FOR SOFTENERS WITH SALT).

kW	BOILER	DIMENSION	Steam production	COLOUR DISPLAY	COD.	DELIVERY
6,75 Kw - 230V	for volume till 9 m ³ *	365x275x712	9 kg/h	WHITE	AWZMPE70/1	6.070 4-5
				BLACK	AWZMPE70/Z	
11.25 Kw - 400V	for volume till 15 m ³ *	365x275x712	15 kg/h	WHITE	AWZMPE11/1	6.140 4-5
				BLACK	AWZMPE11/Z	

On request up to 40 m³

Features/components

steam outlet grill
touch-screen display
temperature probe

OPTIONAL

matching shower head (see page n°192)

chromotherapy : **Stripe led** (see page n°189)

OPTIONS	COD.	
MISTERY PROFESSIONAL INSTALLATION KIT	AWZ007	3.030

OPTIONS	COD.	
Supplementary pre-installation kit for touch display	A6F418	85

UPON ORDER CONFIRMATION, IT IS MANDATORY TO PROVIDE WATER ANALYSIS.

STEAM-QUADRO



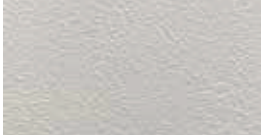
Black "Z"



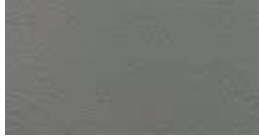
Marquina Black "2"



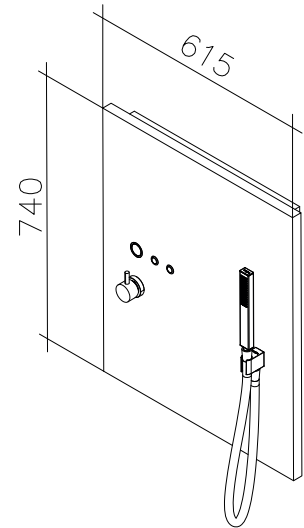
White Marble "5"



White "E"



Grey "G"



STEAM GENERATOR FOR DOMESTIC USE

Perfect for private homes, this steam generator combines compactness and quiet operation, offering a personalized hammam experience. Easy to install and manage, it ensures reliable performance for occasional use.

kW	Steam production	BOILER	NUMBER OF BUTTONS	COD.	DELIVERY
2,5 kW	3.33 kg/h	for volume till 4 m ³ *	1 BUTTON (HAND SHOWER)	WZQH25/_	2.800 4-5
			2 BUTTONS (HAND SHOWER + OVERHEAD SHOWER)	WZQH25/_	2.940 4-5
3,5 kW	4.66 kg/h	for volume till 6 m ³ *	1 BUTTON (HAND SHOWER)	WZQH35/_	2.950 4-5
			2 BUTTONS (HAND SHOWER + OVERHEAD SHOWER)	WZQH35/_	3.090 4-5
				COD.	
Formwork, with brackets for fastening the column directly to the wall				AWZ002	570

*for adequately insulated environments

Features/components

steam outlet grille
thermostatic mixer
2-way mechanical diverter
mixer with chrome hand shower and flexible hose
chromotherapy with 2 LED strips

OPTIONAL

shower head (see page n°192)

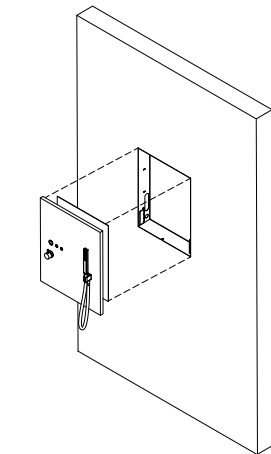
OPTIONS	COD.	
Supplementary pre-installation kit for touch display	A6F418	85

EQUIPMENTS	code	white touch keyboard	black touch keyboard	black faucets	
Black	"H"			■	+ 700
Elite control	"D"	■			+ 700
Elite control BLACK	"T"		■		+ 700
Balance BLACK	"P"		■	■	+ 1.800

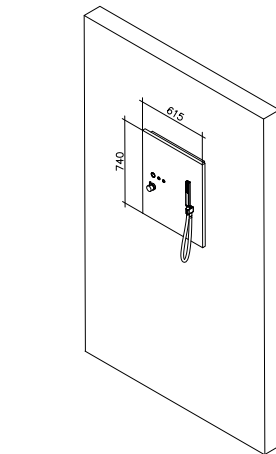
Replace "A" with the corresponding code for the chosen equipments.

See the pre-installation sheet for the touch display on page 177

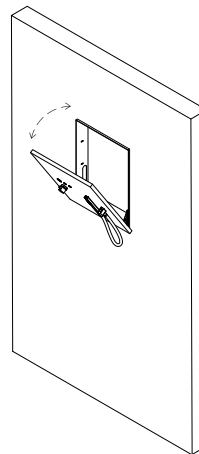
Scheme for installation of the column



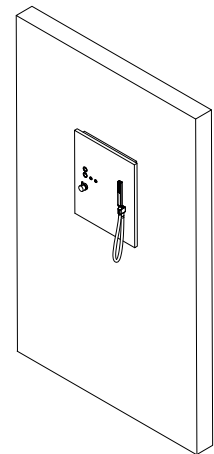
1° Perform wall excavation respecting the indicated dimensions by inserting and locking the appropriate metal formwork.



2° After applying the insulating liquid membrane to the walls of the hammam structure, insert the frame of the Steam-Quadro into its designated position and secure it using the supplied screws.



3° The frame is adjustable based on the type of cladding chosen (mosaic, tiles, etc.). At the end of the installation, position the frame flush with the external surface.



4° Provide hydraulic connection for a ceiling overhead shower (if provided). Make the electrical and hydraulic connections as indicated in the installation manual. At the end, close the door and test the correct functionality of the product.

UPON ORDER CONFIRMATION, IT IS MANDATORY TO PROVIDE WATER ANALYSIS.

STEAM-ME WOOD



Wood Okoumé "7"

STEAM GENERATOR FOR DOMESTIC USE

Perfect for private homes, this steam generator combines compactness and quiet operation, offering a personalized hammam experience. Easy to install and manage, it ensures reliable performance for occasional use.

HAMMAM

kW	BOILER	Steam production	COLOUR	WITHOUT LED-STRIPES		WITH LED-STRIPES		DELIVERY
2,5	for volume till 3 m ³ *	3,33 kg/h	OKOUMÉ-HOLZ	SXC02750/7A	4.210	SXCC2750/7A	4.390	4-5
3,5	for volume till 5 m ³ *	4,66 kg/h	OKOUMÉ-HOLZ	SXC04450/7A	4.260	SXCC4450/7A	4.440	4-5

*for adequately insulated environments

IDRO + HAMMAM

kW	BOILER	Steam production	COLOUR	WITHOUT LED-STRIPES		WITH LED-STRIPES		DELIVERY
2,5	for volume till 3 m ³ *	3,33 kg/h	OKOUMÉ-HOLZ	SXB02750/7A	4.733	SXBC2750/7A	4.912	4-5
3,5	for volume till 5 m ³ *	4,66 kg/h	OKOUMÉ-HOLZ	SXB04450/7A	4.783	SXBC4450/7A	4.962	4-5

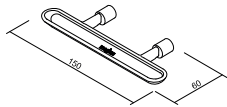
*for adequately insulated environments

Features/components

steam generator with double side outlet
seat and backrest
mixer with chrome hand shower and flexible hose
minimum volume 3.5 m²

OPTIONAL

aromatherapy holder cod. AWED018 118,00



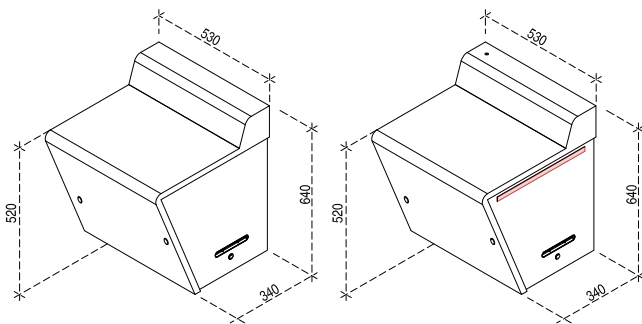
EQUIPMENTS	code	white touch keyboard	black touch keyboard	
Elite control	"D"	■		+ 700
Elite control BLACK	"T"		■	+ 700

Replace "A" with the corresponding code for the chosen equipments.

See the pre-installation sheet for the touch display on page 177

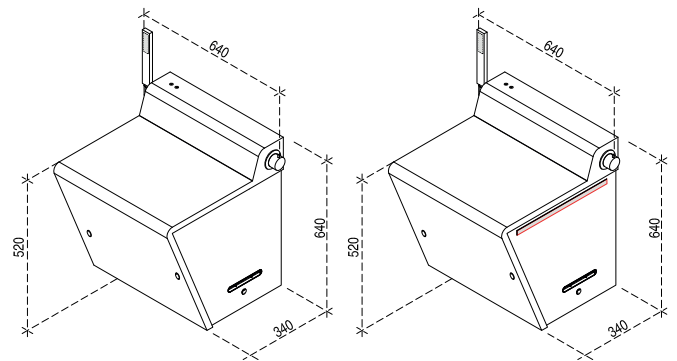
OPTIONS	COD.	
Supplementary pre-installation kit for touch display	A6F418	85

HAMMAM



DIMENSION	530x520 mm
HEIGHT	h. 640 mm
POWER SUPPLY	220V Single phase
TURKISH BATH	on/off
AVAILABLE POWER	2,5 Kw for volumes up to 3 m ³
	3,5 Kw for volumes up to 5 m ³
DELIVERY TIME	4-5 weeks

IDRO + HAMMAM



DIMENSION	530x520 mm
HEIGHT	h. 640 mm
POWER SUPPLY	220V Single phase
LIGHTING	n°2 Strip Led inserted in the session (optional)
HAND SHOWER	included
TURKISH BATH	on/off
AVAILABLE POWER	2,5 Kw for volumes up to 3 m ³
	3,5 Kw for volumes up to 5 m ³
DELIVERY TIME	4-5 weeks

STEAM-ME SOFT

SOFT PVC SEATING MATERIAL



Soft Anthracite "B"



Soft Dove Grey "T"

SIDE PANEL MATERIAL



Wood Ash heat treated

STEAM GENERATOR FOR DOMESTIC USE

Perfect for private homes, this steam generator combines compactness and quiet operation, offering a personalized hammam experience. Easy to install and manage, it ensures reliable performance for occasional use.

IDRO + HAMMAM

kW	BOILER	Steam production	COLOUR	WITHOUT LED-STRIPES		WITH LED-STRIPES		DELIVERY
2,5	for volume till 3 m ³ *	3,33 kg/h	SOFT ANTHRACITE	SYC02750/ZA	3.220	SYCC2750/ZA	3.400	4-5
			SOFT DOVE GREY	SYC02750/YA	3.220	SYCC2750/YA	3.400	
3,5	for volume till 5 m ³ *	4,66 kg/h	SOFT ANTHRACITE	SYC04450/ZA	3.270	SYCC4450/ZA	3.450	4-5
			SOFT DOVE GREY	SYC04450/YA	3.270	SYCC4450/YA	3.450	

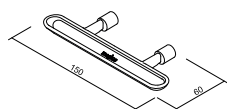
*for adequately insulated environments

Features/components

steam generator with double side outlet seat mixer with chrome hand shower and flexible hose minimum volume 3.5 m²

OPTIONAL

aromatherapy holder cod. AWED018 118,00



EQUIPMENTS

code



white touch keyboard



black touch keyboard

Elite control "D" ■ + 700

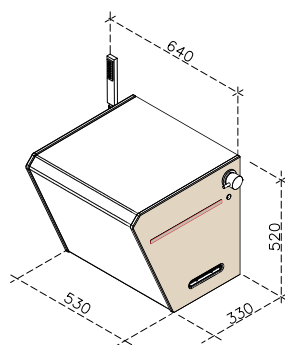
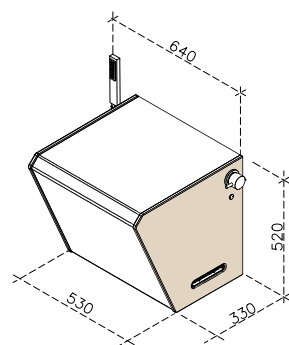
Elite control BLACK "T" ■ + 700

Replace "A" with the corresponding code for the chosen equipments.

See the pre-installation sheet for the touch display on page 177

OPTIONS	COD.	
Supplementary pre-installation kit for touch display	A6F418	85

IDRO + HAMMAM



DIMENSION	530x520 mm
HEIGHT	h. 520 mm
POWER SUPPLY	220V Single phase
LIGHTING	n°2 Strip Led inserted in the session (optional)
HAND SHOWER	included
TURKISH BATH	on/off
AVAILABLE POWER	2.5 Kw for volumes up to 4.99 m ³
	3.5 Kw for volumes up to 6.99 m ³
DELIVERY TIME	4-5 weeks

STEAM-ME HPL



Black "Z"



Marquina Black "2"



White Marble "5"



White "E"



Grey "G"

STEAM GENERATOR FOR DOMESTIC USE

Perfect for private homes, this steam generator combines compactness and quiet operation, offering a personalized hammam experience. Easy to install and manage, it ensures reliable performance for occasional use.

IDRO + HAMMAM

kW	BOILER	Steam production	COLOUR	WITHOUT LED-STRIPES		WITH LED-STRIPES		DELIVERY
				Code	Price	Code	Price	
2,5	for volume till 3 m ³ *	3,33 kg/h	BLACK	SWC02750/ZA	2.750	SWCC2750/ZA	2.930	4-5
			MARQUINA BLACK	SWC02750/2A	2.750	SWCC2750/2A	2.930	
			WHITE MARBLE	SWC02750/5A	2.750	SWCC2750/5A	2.930	
			WHITE	SWC02750/EA	2.750	SWCC2750/EA	2.930	
			GREY	SWC02750/GA	2.750	SWCC2750/GA	2.930	
3,5	for volume till 5 m ³ *	4,66 kg/h	BLACK	SWC04450/ZA	2.800	SWCC4450/ZA	2.980	4-5
			MARQUINA BLACK	SWC04450/2A	2.800	SWCC4450/2A	2.980	
			WHITE MARBLE	SWC04450/5A	2.800	SWCC4450/5A	2.980	
			WHITE	SWC04450/EA	2.800	SWCC4450/EA	2.980	
			GREY	SWC04450/GA	2.800	SWCC4450/GA	2.980	

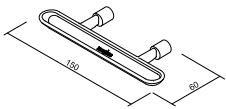
*for adequately insulated environments

Features/components

steam generator with double side outlet
seat
mixer with chrome hand shower and flexible hose
minimum volume 3.5 m²

OPTIONAL

aromatherapy holder cod. AWED018 118,00



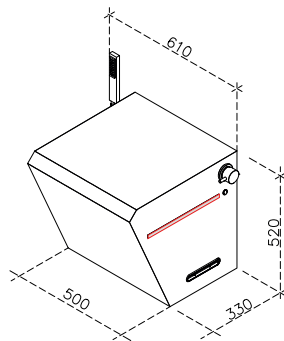
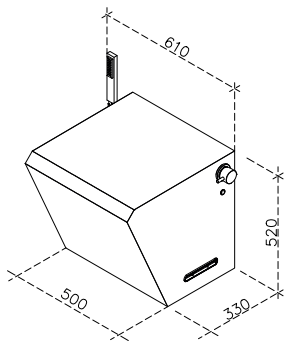
EQUIPMENTS	code	white touch keyboard	black touch keyboard	
Elite control	"D"	■	■	+ 700
Elite control BLACK	"T"	■	■	+ 700

Replace "A" with the corresponding code for the chosen equipments.

See the pre-installation sheet for the touch display on page 177

OPTIONS	COD.	
Supplementary pre-installation kit for touch display	A6F418	85

IDRO + HAMMAM



DIMENSION	530x520 mm
HEIGHT	h. 520 mm
POWER SUPPLY	220V Single phase
LIGHTING	n°2 Strip Led inserted in the session (optional)
HAND SHOWER	included
TURKISH BATH	on/off
AVAILABLE POWER	2,5 Kw for volumes up to 4,99 m ³
	3,5 Kw for volumes up to 6,99 m ³
DELIVERY TIME	4-5 weeks

TOUCH DISPLAY CONTROL

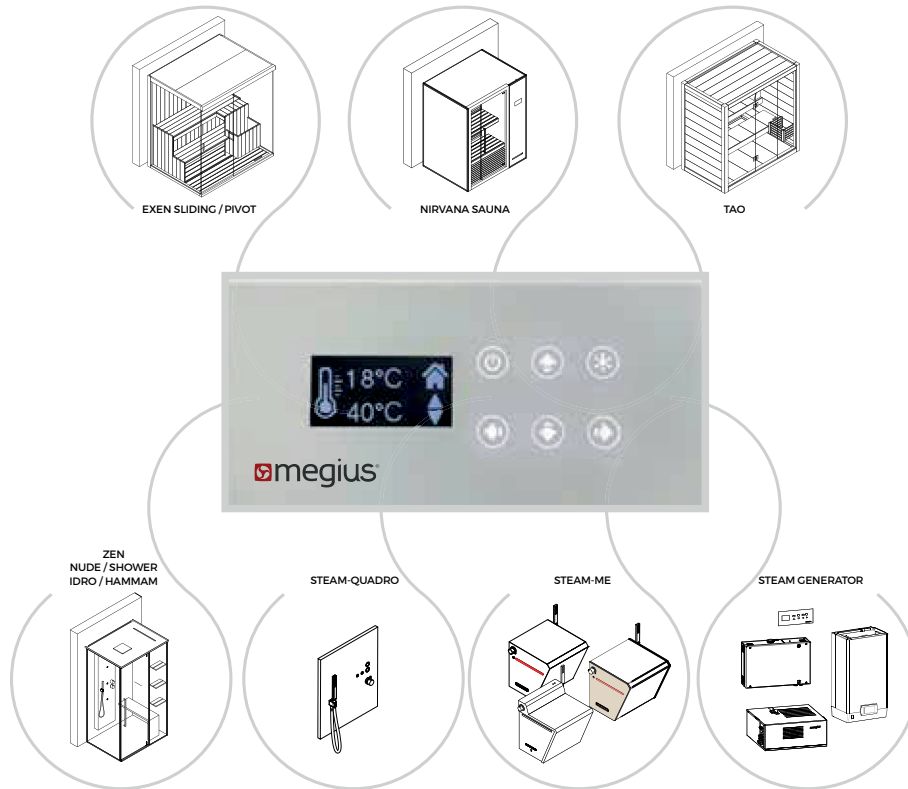
A single device to manage both hammam and sauna.

The new Touch Display introduces an important innovation: it is compatible with most Megius wellness products, allowing for the combination and management of their diverse functions in a synergistic way among products with different features. Available in two colors: white and black.

SAUNA

In the OASI sauna version, the entire NIRVANA and ZEN COMBI series is already included.

Meanwhile, in the TAO and EXEN saunas, the addition of the DISPLAY accessory, which includes a separate control unit, is required as it is not available in the original product.



STEAM GENERATORS AND HAMMAM

In the ZEN IDRO/HAMMAM version, STEAM-MYSTERY, STEAM-Comfort, STEAM-PRO, and the entire NIRVANA COMBI and ZEN COMBI series are already included. Meanwhile, for steam generators such as STEAM-ME (WOOD, SOFT, and HPL) and STEAM-QUADRO, the addition of the DISPLAY accessory, which includes a separate control unit, is required as it is not available in the original product.

DISPLAY COLOUR

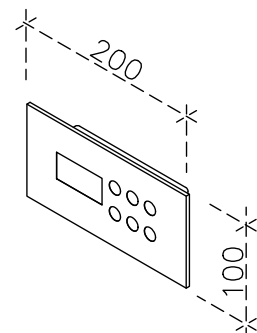


Back-painted glass White "I"



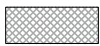
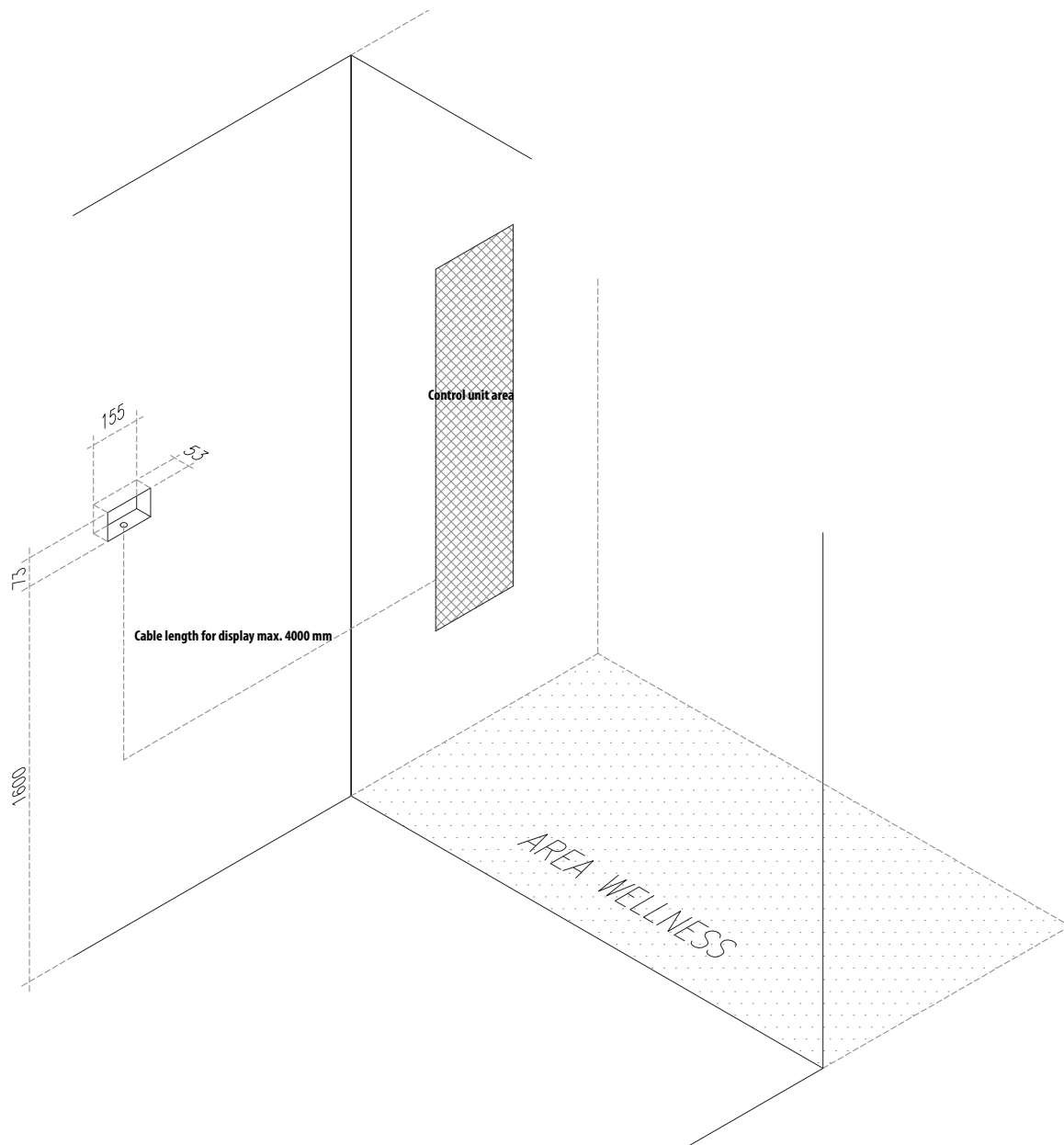
Back-painted glass Black "Z"

Art.	COD.	
Supplementary pre-installation kit for touch display	A6F418	85



TOUCH DISPLAY CONTROL

PRE-INSTALLATION SHEET



Fully inspectable area for hydraulic and electrical connections

DISPLAY CONNECTION:

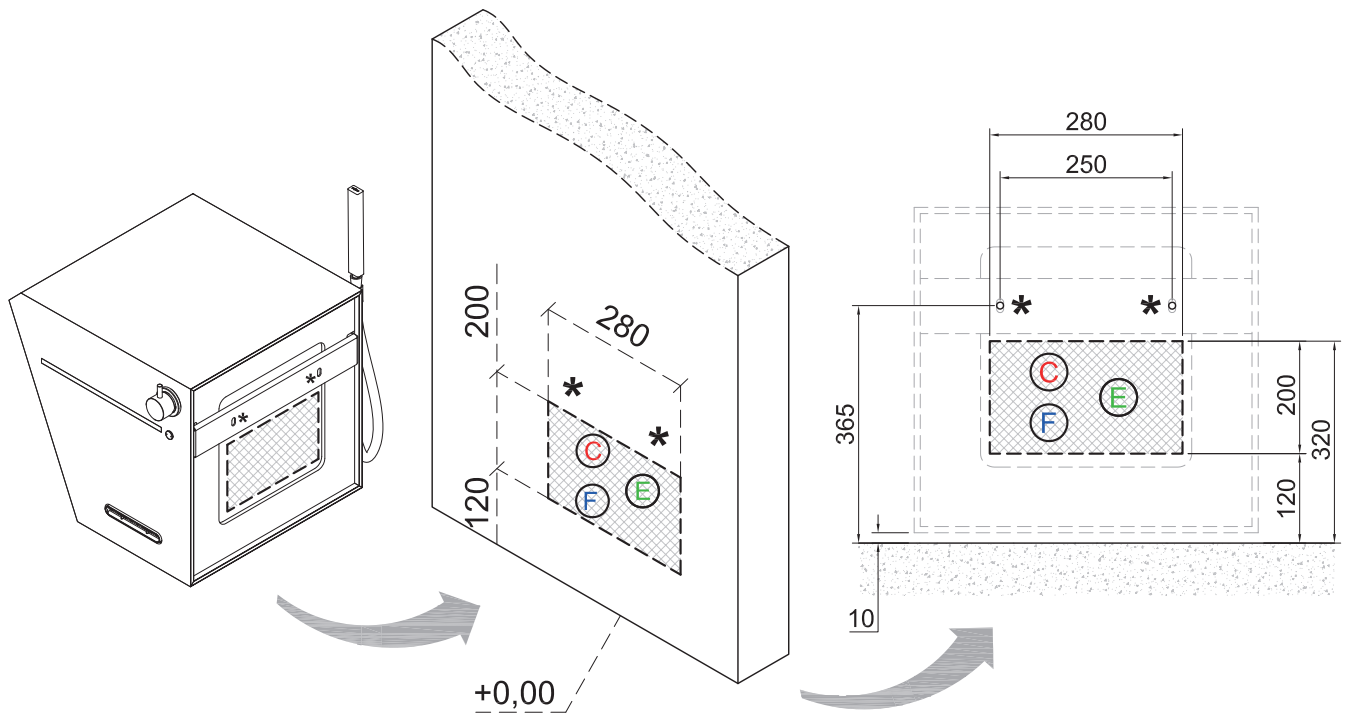
Prepare an electrical conduit (\varnothing 25 mm) (max 4 m) for connecting the display to the control unit.





The height from the ground of the control unit may vary depending on the ordered product (Zen Hammam / Steam Me / Tao / Exen / etc.).

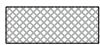
Dimensions are expressed in mm.

STEAM-ME WOOD / HPL / SOFT

PRE-INSTALLATION SHEET



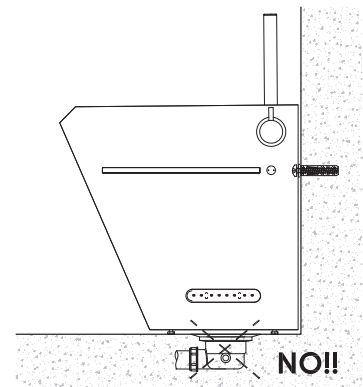
-  Wall fixing points
-  Hot water connection for taps 1/2'
-  Power supply 220-240V - 50Hz variable power mq. hammam
-  Cold water connection for taps 1/2'



Fully inspectable area for hydraulic and electrical connections



Equipotential bonding: the equipment must be connected to the room's equipotential system and properly secured to the designated terminal on the product.



ELECTRICAL SAFETY

The product assumes that the system to which it is connected and the room in which it is installed meet the safety requirements established by rules and laws, including:

- Have an efficient protection (grounding) circuit.
- Have a high sensitivity differential protection device according to the power of the steam generator.
- Limitation of electrical devices in the zones (zones 0, 1, 2, 3) of the bathrooms and their equipotentiality.
- Prepare a mains disconnector with contact opening <3 mm and characteristics suitable for the nominal sauna data.
- Prepare a suitable connection system with a standard cable according to the installed power.
- Use of electrical equipment certified according to the rules.

HYDRAULIC SAFETY

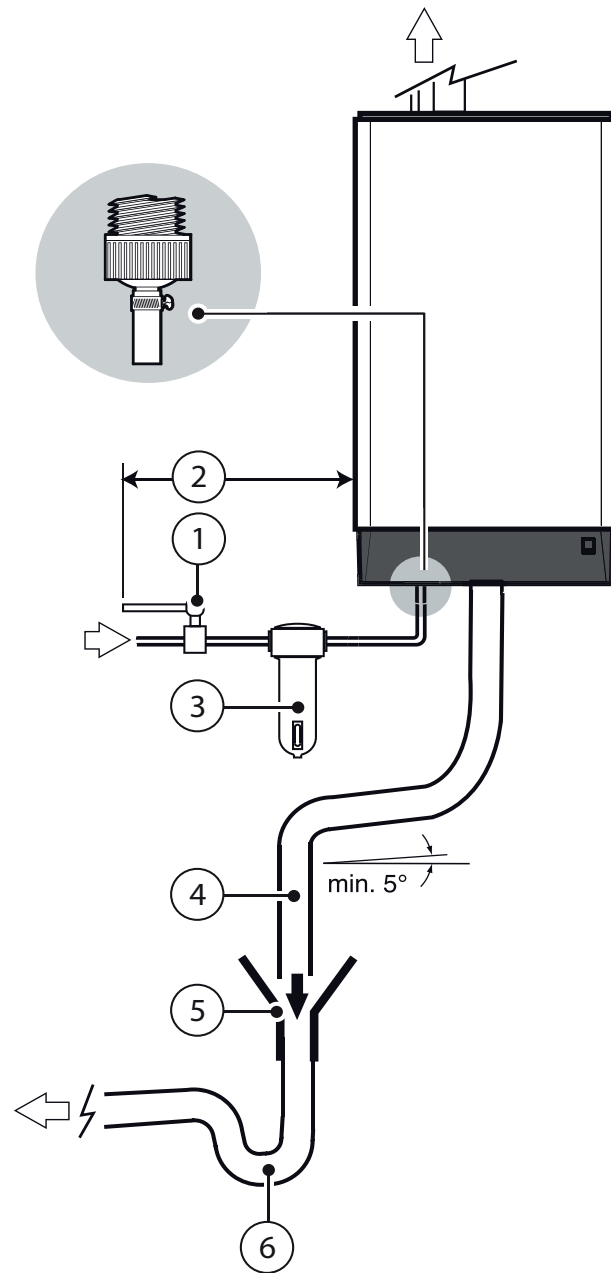
Prepare the hot and cold water supply connections and the drain connection. For the correct functioning of the turkish bath and the multifunctional systems the water system must have the following characteristics

- Normal pressure at 3.5 bar.
- Min / Max network pressure from 2 to 5 bar.
- Hot water temperature at 60 °C.
- Minimum water flow 12 l / min

The connection to the water network must be carried out in compliance with the provisions of the law and current regulations also concerning the pollution of water networks.

STEAM-MYSTERY COMFORT

PRE-INSTALLATION SHEET

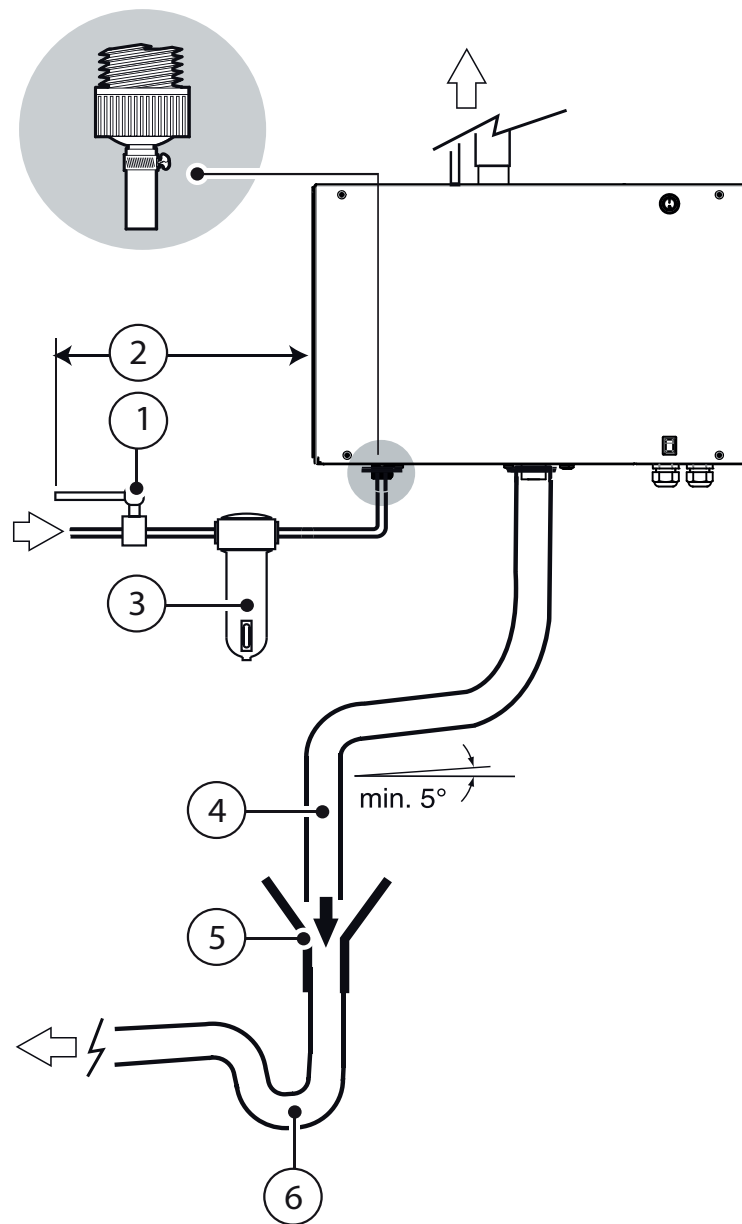


HYDRAULIC CONNECTIONS:

- 1 - Install a manual valve upstream of the system (to ensure the interruption of the water supply);
- 2 - Connect the humidifier to the water supply. Use a flexible hose with 3/4" G fittings;
- 3 - Install a mechanical filter to retain any solid impurities (to be connected downstream of the tap);
- 4 - Connect a drainage pipe resistant to temperatures of 100°C (212°F) with a minimum internal diameter of 40 mm (1.6 in);
- 5 - Provide a funnel to ensure the discontinuity of the drainage pipe;
- 6 - Connect a siphon to prevent odor return.

STEAM-MISTERY PRO

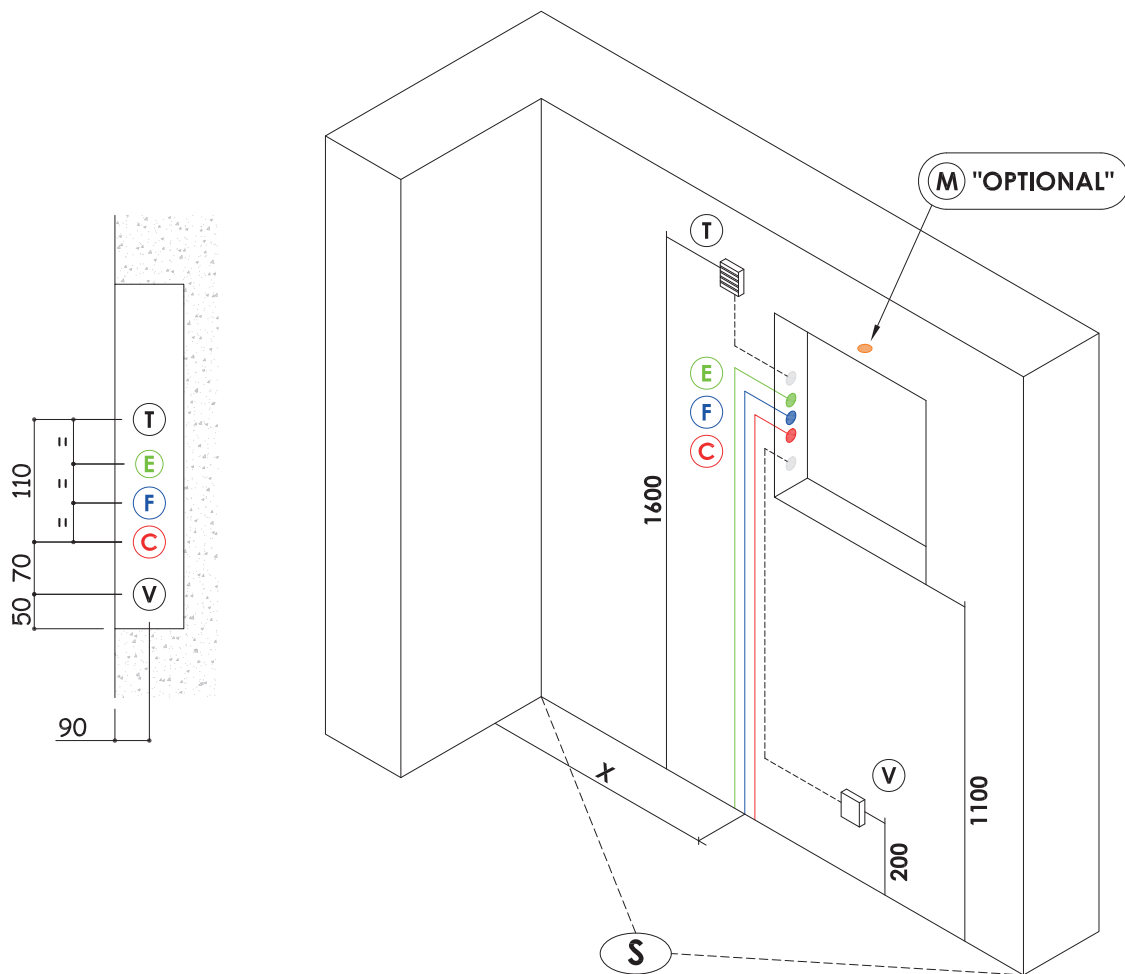
PRE-INSTALLATION SHEET



HYDRAULIC CONNECTIONS:

- 1 - Install a manual valve upstream of the system (to ensure the interruption of the water supply);
- 2 - Connect the humidifier to the water supply. Use a flexible hose with 3/4" G fittings;
- 3 - Install a mechanical filter to retain any solid impurities (to be connected downstream of the tap);
- 4 - Connect a drainage pipe resistant to temperatures of 100°C (212°F) with a minimum internal diameter of 40 mm (1.6 in);
- 5 - Provide a funnel to ensure the discontinuity of the drainage pipe;
- 6 - Connect a siphon to prevent odor return.

PRE-INSTALLATION SHEET



F Cold water connection for taps 1/2'

S Water drain predisposition

X Second Wellzone Panel placement

C Hot water connection for taps 1/2'

E Power supply 220V - 50Hz variable power mq. hammam

M Optional mixed water outlet for taps

V Steam outlet nozzle (insulated pipe, 40 mm external diameter)

T Temperature probe (insulated pipe, 40 mm external diameter)

ELECTRICAL SAFETY

The product assumes that the system to which it is connected and the room in which it is installed meet the safety requirements established by rules and laws, including:

- Have an efficient protection (grounding) circuit.
- Have a high sensitivity differential protection device according to the power of the steam generator.
- Limitation of electrical devices in the zones (zones 0, 1, 2, 3) of the bathrooms and their equipotentiality.
- Prepare a mains disconnector with contact opening <3 mm and characteristics suitable for the nominal sauna data.
- Prepare a suitable connection system with a standard cable according to the installed power.
- Use of electrical equipment certified according to the rules.

HYDRAULIC SAFETY

Prepare the hot and cold water supply connections and the drain connection. For the correct functioning of the turkish bath and the multifunctional systems the water system must have the following characteristics

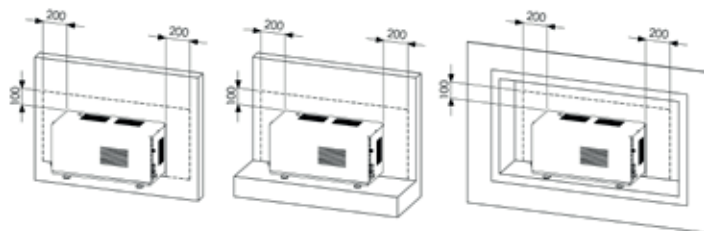
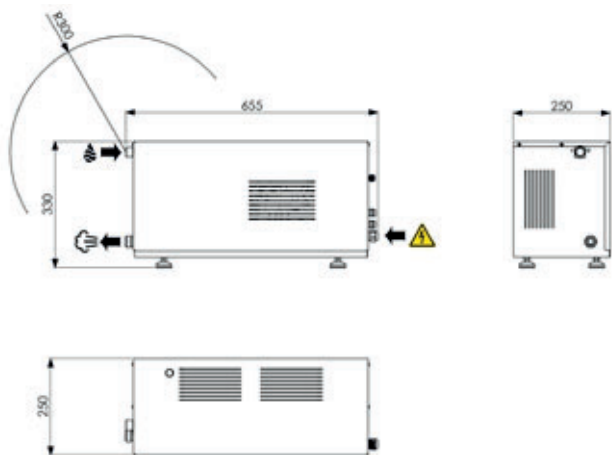
- Normal pressure at 3.5 bar.
- Min / Max network pressure from 2 to 5 bar.
- Hot water temperature at 60 °C.
- Minimum water flow 12 l / min

The connection to the water network must be carried out in compliance with the provisions of the law and current regulations also concerning the pollution of water networks.

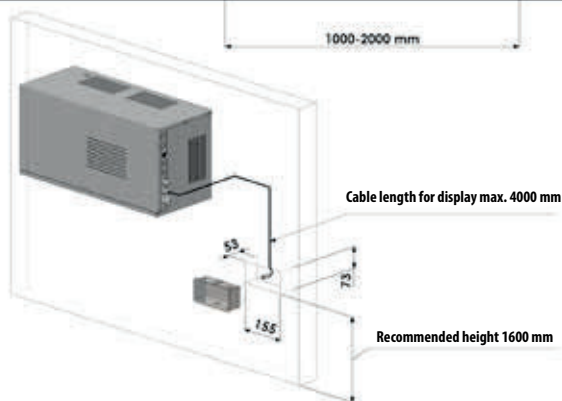
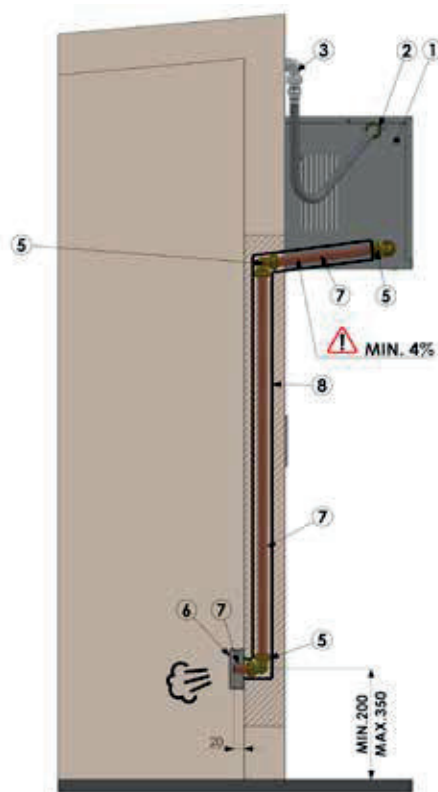
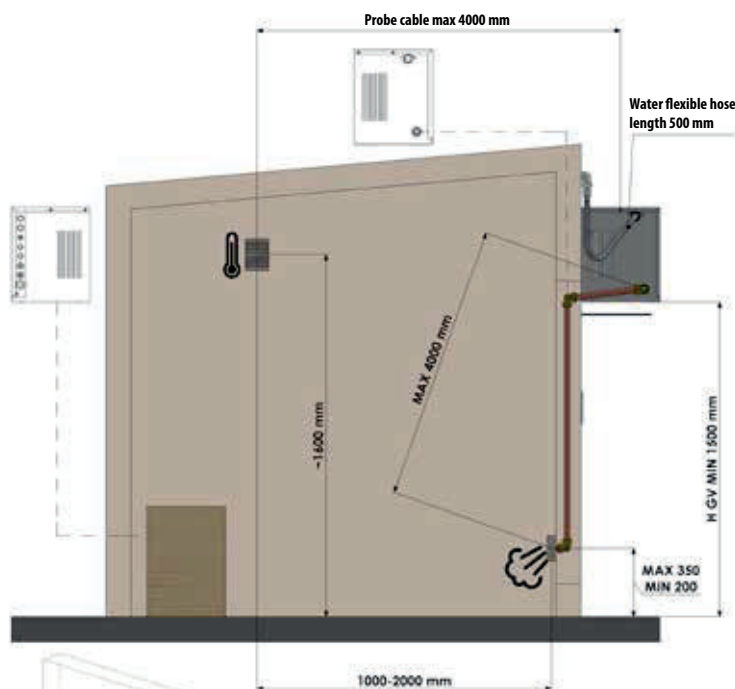
N.B.: FOR THE POSITIONING OF THE ATTACKS AND THE INSTALLED POWER, REFER TO THE DRAWING OF THE SPECIFIC PROJECT COMPLETE STRUCTURE.

STEAM MISTERY

PRE-INSTALLATION SHEET



COD.	kW	m ²	Power supply
AWZGV28	3kW	4	200/380 V
AWZGV56	5kW	6	200/380 V



Install the steam nozzle away from the benches.
High temperature danger!

N°	DESCRIPTION	pz.
1	Steam generator	1
2	Reduction 1/2" M x 3/4" F	1
3	Water connection 1/2" M	1
4	Water supply flexible hose L. 500 mm	1
5	Female elbow fitting for copper pipe	3
6	Steam dispenser	1
7	Copper tube diameter 18x1	5m
8	Insulation for copper tube	5m

- FOR THE POSITIONING OF THE ATTACKS AND THE INSTALLED POWER, REFER TO THE DRAWINGS OF THE SPECIFIC PROJECT COMPLETE STRUCTURE

- CONSIDER A USEFUL SPACE OF 200 mm MINIMUM AROUND THE ENTIRE PERIMETER OF THE GENERATOR TO ENABLE A CORRECT INSTALLATION.



WELLZONE HAMMAM CUSTOM

Fully customized home spa

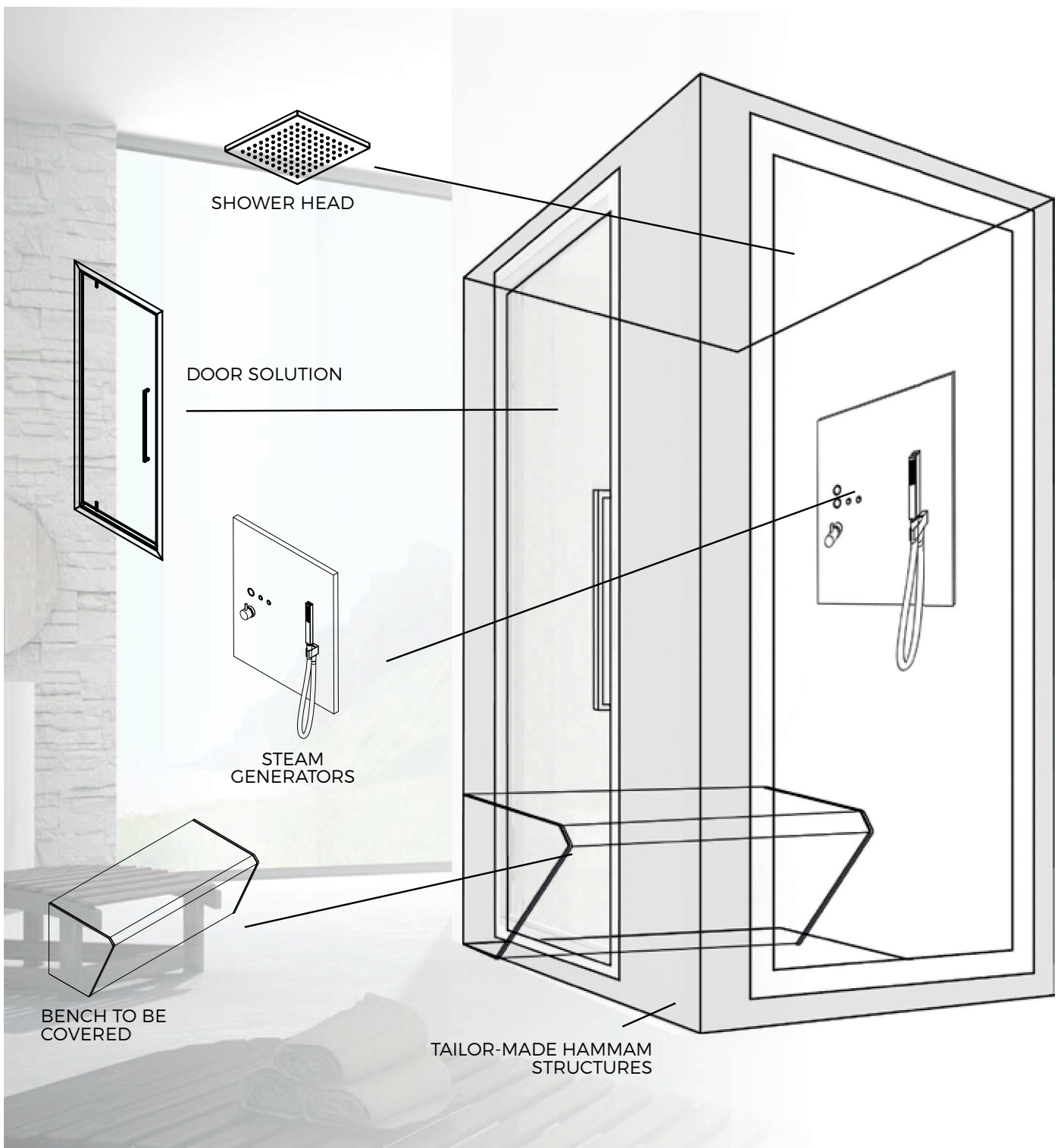
Let yourself be enveloped in the ritual of relaxation in an emotional shower and hammam: regenerate your body in a real spa. We apply our knowledge and expertise in the field of wellness to guarantee the best results. We apply our knowledge and expertise in the field of wellness to ensure the best results in an environment designed specifically for you, according to your needs and taste.



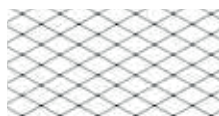
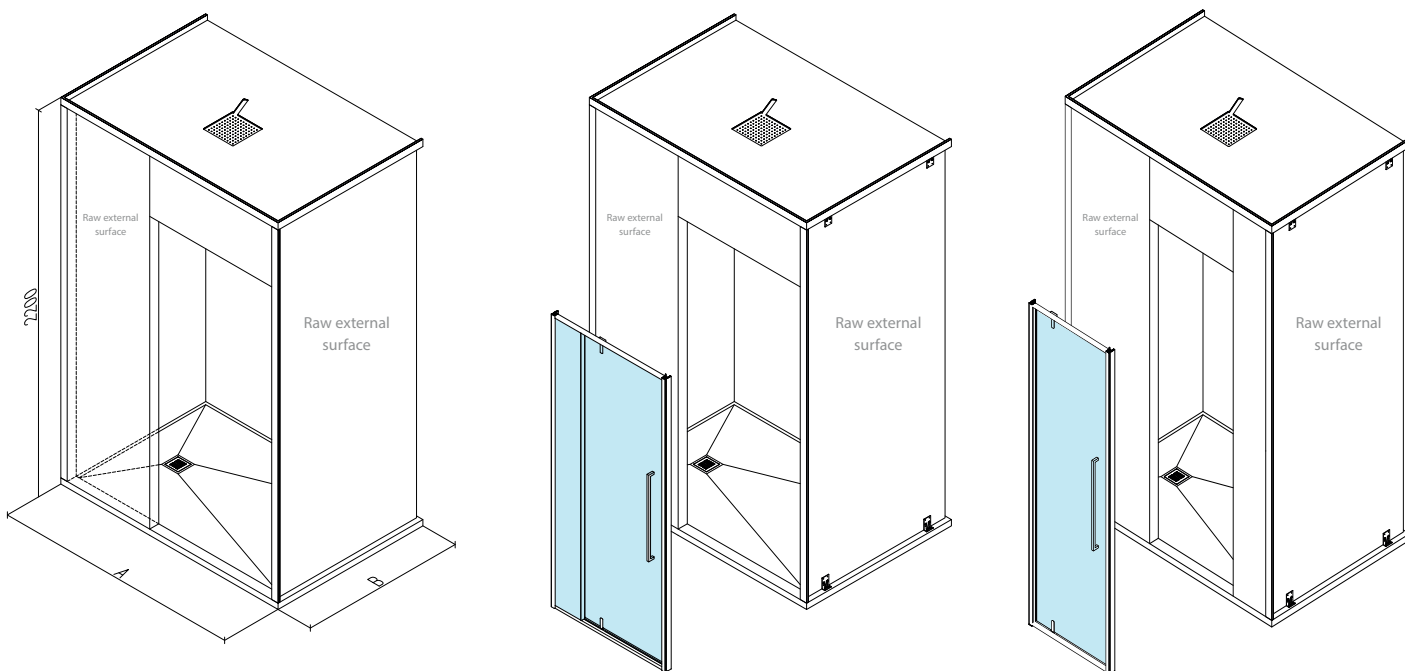
CREATE YOUR HAMMAM

THE HOME SPA AND SUITE SPA THANKS TO MEGIUS BECOME A POSSIBLE REALITY:

Modern wellness proposes innovative Hammam solutions aimed at a domestic dimension or at small spaces in Spa Suites that do not require special electrical equipment, they are practical and user friendly. Our competence and the study of spaces in the wellness sector allow us to insert high-quality materials in a coherent way inside the environments, the possibility of personalization with the insertion of chromotherapy and/or aromatherapy.



WELLZONE STRUCTURES



Raw finish for cladding "X"



Black "Z"



Marquina Black "2"



White Marble "5"



White "E"



Grey "G"

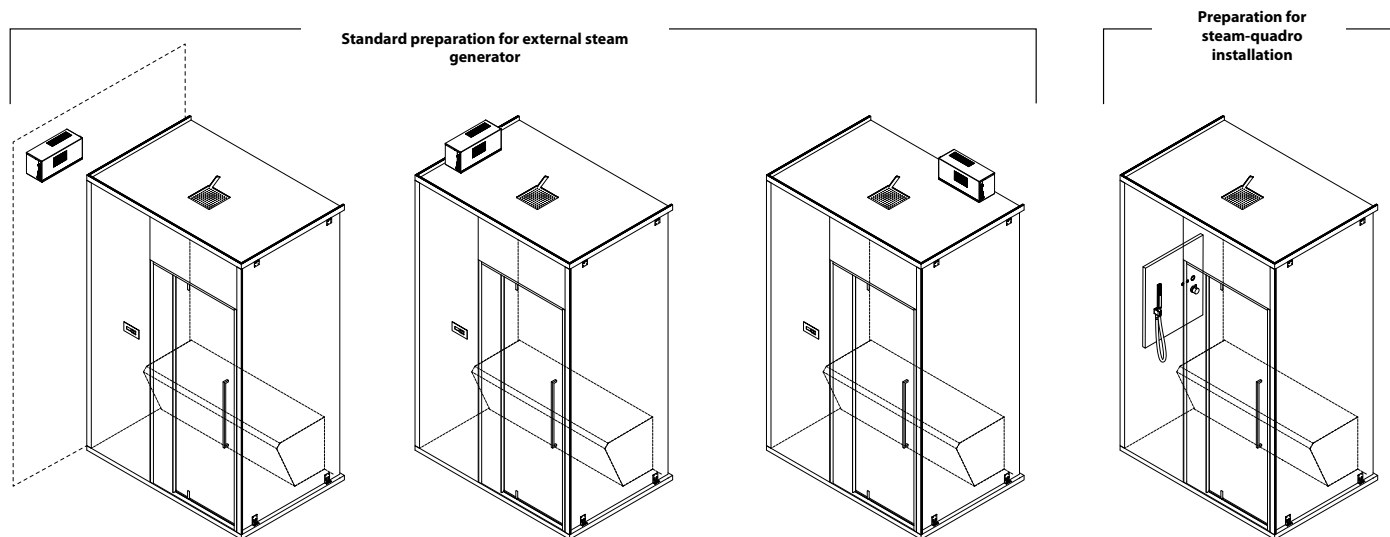
A x B	COD.	m ³	Raw internal structure	Internal structure with finish	DELIVERY
1800x1200	WZCH1812/A_	4,32	7.400	8.600	4-5
2000x1500	WZCH2015/A_	6	10.100	12.300	4-5

The price does not include: benches, generators, hammam door, and all components not part of the structure.

Additional customizations upon request

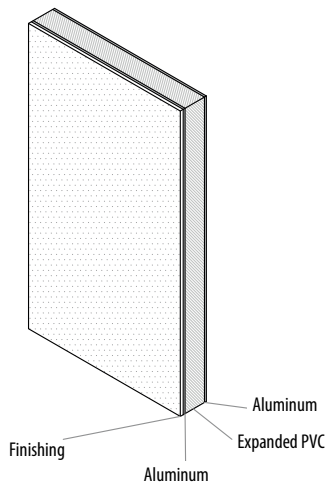
EQUIPMENTS	code	
Preparation for steam-quadro installation	"C"	+ 200

Replace "A" with the corresponding code for the chosen equipments.



Pre-installation plan upon project confirmation

WELLZONE STRUCTURES

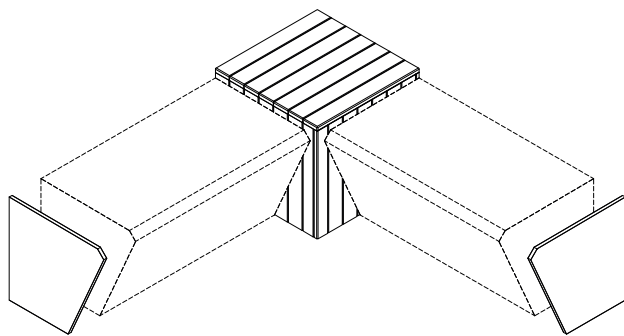


Insulation panels for the complete isolation of the hammam environment.

To prevent heat loss and thus ensure maximum efficiency of the hammam, Megius supplies sandwich panels with an extruded polystyrene core. The surface on both sides is prepared for wall mounting and offers excellent support for tiles applied with thin-layer adhesive.

PANEL THICKNESS	10 mm
SURFACE	0.45gr. cm ²
DELIVERY TIME	5-6 weeks

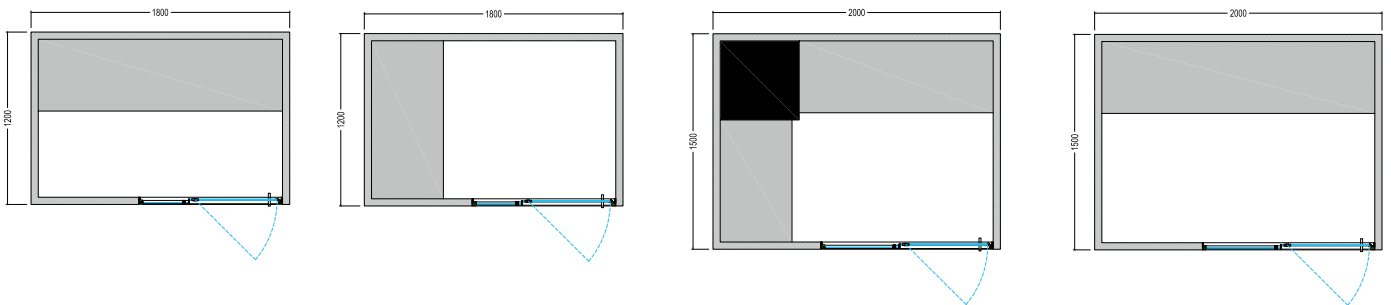
Composite insulating panel made of an extruded expanded PVC core bonded with two 0.6mm aluminum sheets.



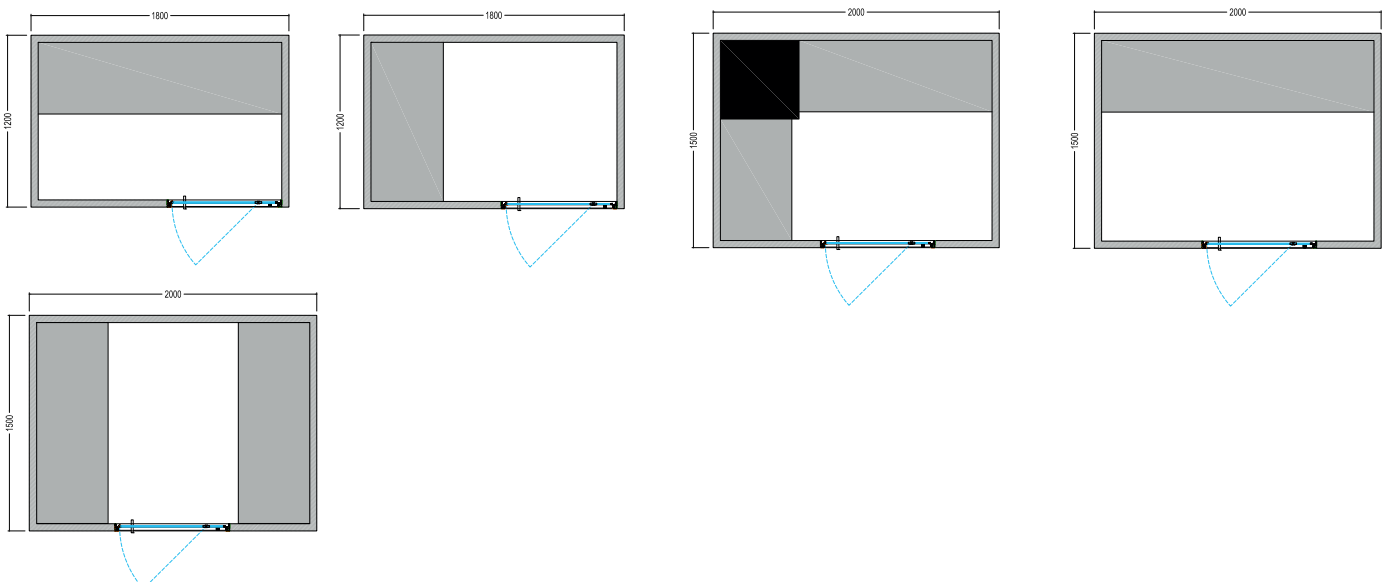
BENCH

Various types of seating designed for your hammam: from the single bench, ideal for essential and functional spaces, to elegant corner solutions, featuring a specific corner element that harmoniously connects the two seats. Each option is designed to ensure comfort, practicality, and design, offering a tailored wellness experience for your environment.

PVF - PIVOT DOOR WITH FIXED IN LINE



PV - PIVOT DOOR



WELLZONE BENCH TO BE COVERED

SOFT-TOUCH SEAT WITH WOODEN SIDES

SOFT PVC SEATING MATERIAL



Soft Anthracite "B"

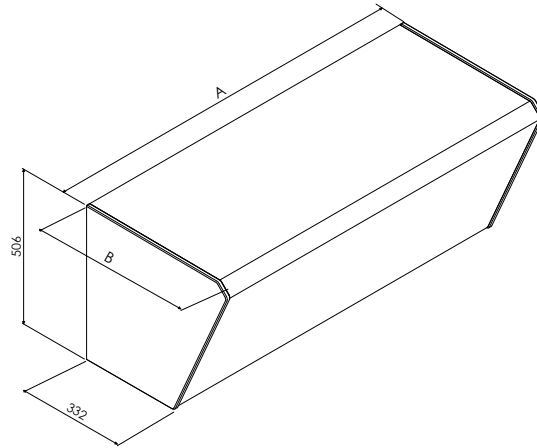
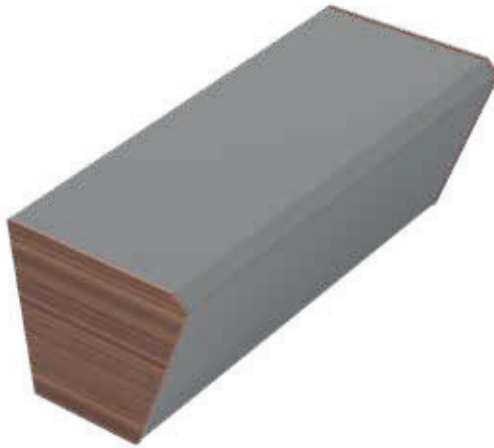


Soft Dove Grey "T"

SIDE PANEL MATERIAL



Wood Ash heat treated



MEASURE (A x B)	H.	COD.	Internal with finish
930x530	506	WZSP1290/	1.230
1130x530	506	WZSP1590/	1.500
1430x530	506	WZSP1890/	1.910
1730x530	506	WZSP1010/	2.300
1930x530	506	WZSP1010/	2.570

WELLZONE BENCH TO BE COVERED

HPL SEAT



Raw finish for cladding "X"



Black "Z"



Marquina Black "2"



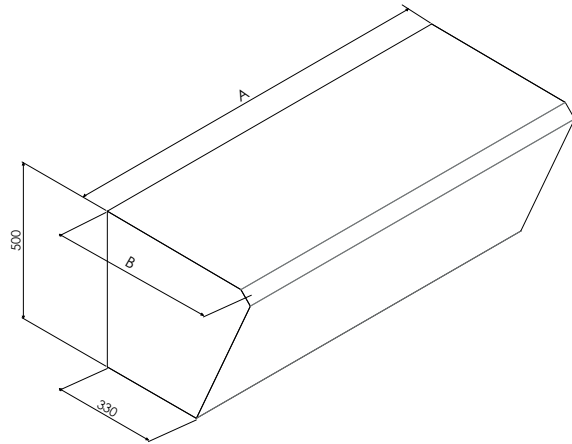
White Marble "5"



White "E"



Grey "G"



MEASURE (A x B)	H.	COD.	Raw structure	Internal with finish
930x530	506	WZSP1290/ _	980	1.150
1130x530	506	WZSP1590/ _	1.200	1.400
1430x530	506	WZSP1890/ _	1.540	1.780
1730x530	506	WZSP1010/ _	1.850	2.150
1930x530	506	WZSP1010/ _	2.070	2.400

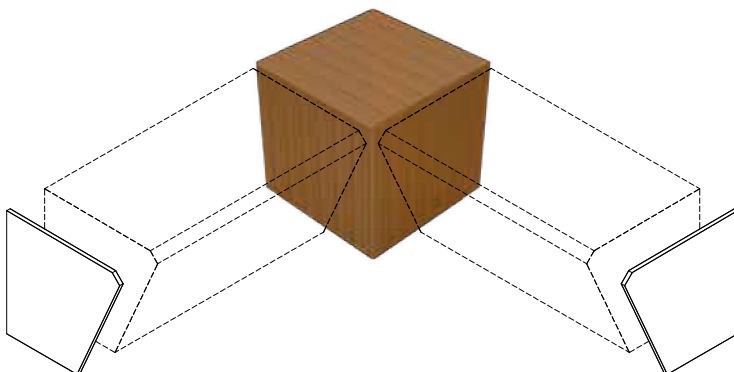
STRIPE LED



For better ambiance, an RGB Strip LED can be integrated into the seating or various structural Wellzone panels to create a chromotherapy effect within your hammam.

COD.
AWZLD (on request)

CORNER CUBE



PANEL MATERIAL



Wood Ash heat treated

insertion of Strip Led RGB under the Wellzone seat edge, creates a chromotherapy effect inside your hammam

COD.
WZCCU58 2.300

WELLZONE CLOSING SYSTEM

PV - PIVOT DOOR



GLASS FINISH

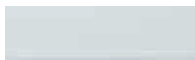


Transparent tempered glass "F"

PROFILE FINISHES



Brilliant Chrome Aluminium "Q"



Matt White Aluminium "E"



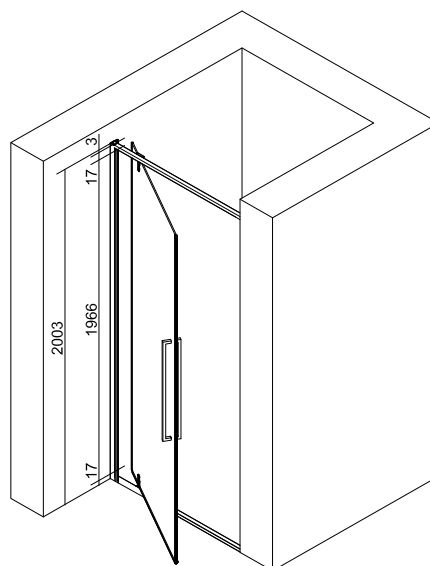
Matt Black Aluminium "Z"

OPTIONAL EXTRAS INCLUDED

Protective glass treatment
Profile under door
Reversible solution

HEIGHT STANDARD	h. 2000 mm
GLASS THICKNESS	6 mm
CLOSING SYSTEM	magnetic gasket
HANDLE HEIGHT	580 mm

CODE	MEASURE	ENTRY SPAN	FINISHES PROFILES	TRANSPARENT GLASS WITH PROTECTIVE
WZPV0080/_F	80 CM	51 CM	Q	1.036
			Z-E	1.066



DELIVERY TIME

3-4 weeks

WELLZONE CLOSING SYSTEM

PVF - PIVOT DOOR WITH FIXED IN LINE



GLASS FINISH

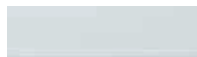


Transparent tempered glass "F"

PROFILE FINISHES



Brilliant Chrome Aluminium "Q"



Matt White Aluminium "E"



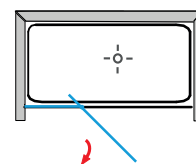
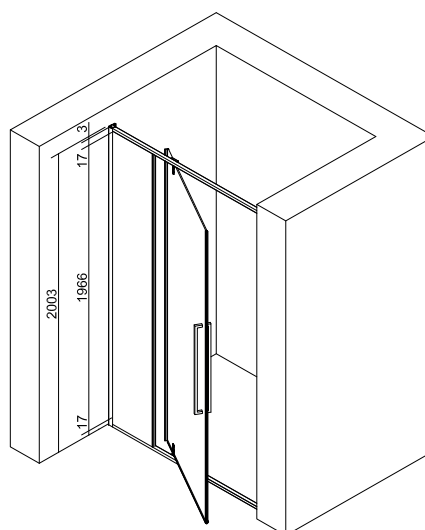
Matt Black Aluminium "Z"

OPTIONAL EXTRAS INCLUDED

Protective glass treatment
Profile under door
Reversible solution

HEIGHT STANDARD	h. 2000 mm
GLASS THICKNESS	6 mm
CLOSING SYSTEM	magnetic gasket
HANDLE HEIGHT	580 mm

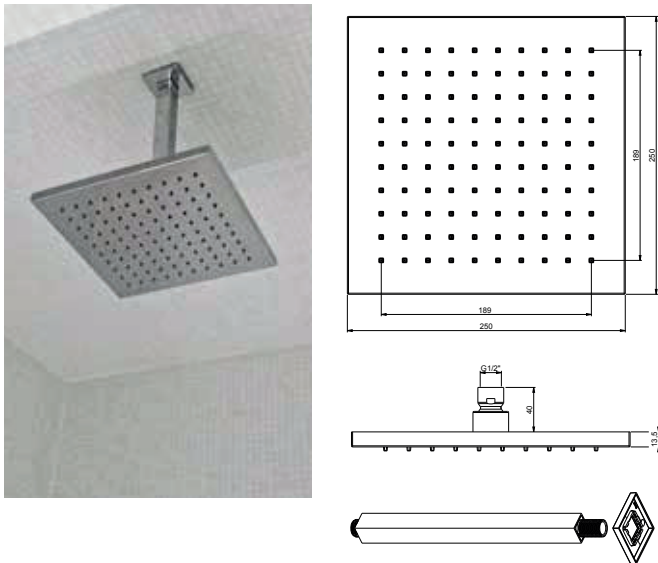
CODE	MEASURE	ENTRY SPAN	FINISHES PROFILES	TRANSPARENT GLASS WITH PROTECTIVE
WZPVF130_F	130 CM	68 CM	Q	1.193
			Z-E	1.228



DELIVERY TIME	3-4 weeks
---------------	-----------

WELLZONE KIT HAND SHOWER + SHOWER HEAD

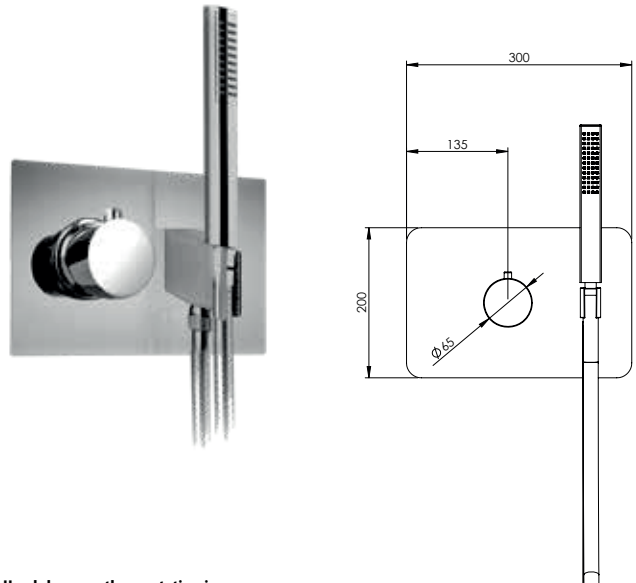
AWZSO



250x250 mm stainless steel shower head. + square arm kit + square rose L300 bright chrome

CODE	FINISHES
AWZSO	L300 cromo 419

AWZMD



Hand shower + thermostatic mixer

CODE	FINISHES
AWZMD	L300 cromo 379

Only for Mistery version

KIT AWZDD



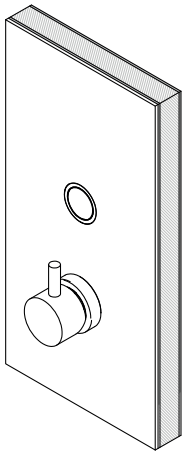
Hand shower + thermostatic mixer and diverter + 250x250 mm stainless steel shower head. + square arm kit + square rose L300 bright chrome

CODE	FINISHES
AWZDD	L300 cromo 989

Only for Mistery version

WELLZONE KIT HAND SHOWER + SHOWER HEAD

BUTTON KIT + MIXER, TO BE INSTALLED ON WELLZONE STRUCTURE.



1 BUTTON

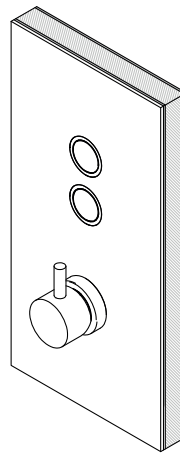


Matt Black Aluminum "Z"



Brilliant Chrome Aluminium "Q"

COD.	FINISHES	
AWPU01/ -	Z	410
	Q	410



2 BUTTON

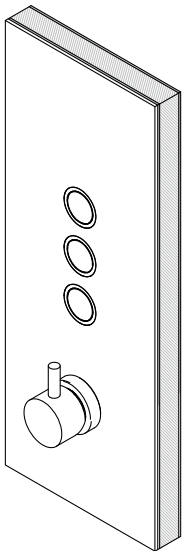


Matt Black Aluminum "Z"



Brilliant Chrome Aluminium "Q"

COD.	FINISHES	
AWPU02/ -	Z	550
	Q	550



3 BUTTON

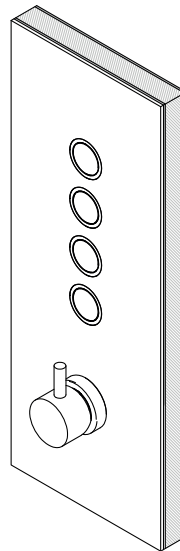


Matt Black Aluminum "Z"



Brilliant Chrome Aluminium "Q"

COD.	FINISHES	
AWPU03/ -	Z	690
	Q	690



4 BUTTON



Matt Black Aluminum "Z"



Brilliant Chrome Aluminium "Q"

COD.	FINISHES	
AWPU04/ -	Z	820
	Q	820

AQUA GENESI

Water and speed, physics applied to wellbeing: infinite ways of receiving beneficial stimulation from hot and cold water for total regeneration of the body.

These practices fall within the broader spectrum of hydrotherapy, which is one of the oldest methods of treatment, and uses the simplest and most common medium in nature: water. Water, flowing over the surface of the body or submerging it, invigorates, invigorates and stimulates the reaction of the entire organism.

STYLE DETAILS



AQUA GENESI HAND SHOWER



500

FUNCTIONS INCLUDED



Rain jet



Wire

500

AQUAGENESI 01

COD.

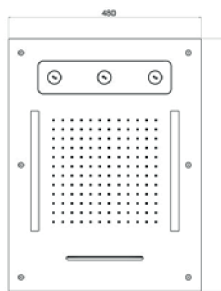
MEASURE

QA010550/Q

50x50 cm

1.262

*other color finishes available



FUNCTIONS INCLUDED



Rain jet



Spin



Waterfall



Chromotherapy with remote control

AQUAGENESI 04 CROMO

COD.

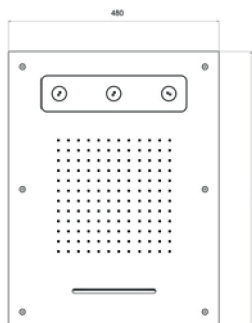
MEASURE

QA04C648/Q

48x63 cm

4.202

*other color finishes available



FUNCTIONS INCLUDED



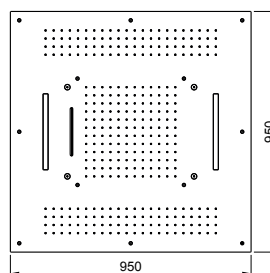
Rain jet



Spin



Waterfall



FUNCTIONS INCLUDED



Rain jet



Double Rain jet



Waterfall



Hydrojet



Chromotherapy with remote control

AQUAGENESI 04

COD.

MEASURE

QA040648/Q

48x63 cm

2.360

*other color finishes available

AQUAGENESI 06 CROMO

COD.

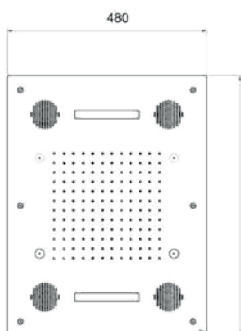
MEASURE

QA06C995/Q

95x95 cm

8.555

*other color finishes available



FUNCTIONS INCLUDED



Rain jet



System audio included



Bluetooth



Chromotherapy with remote control



Hydrojet

AQUAGENESI 05 CROMO & SOUND

COD.

MEASURE

QA055648/Q

48x63 cm

4.345

*other color finishes available

BUCKET SHOWER



COD.

AWZSD

1.376

DIMENSIONS 510x500 mm

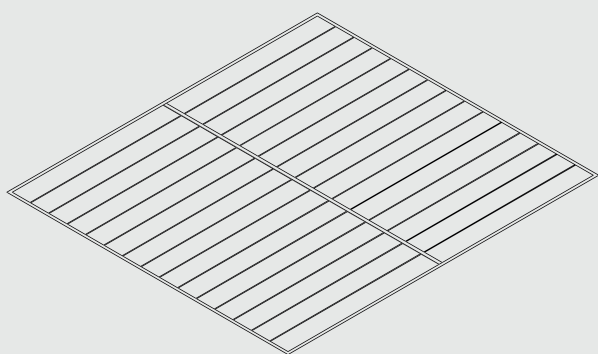
WATER CAPACITY 7.5 lt.

CHAIN LENGTH 73 cm

WALL MOUNTING KIT stainless steel

DELIVERY TIME 4-5 weeks

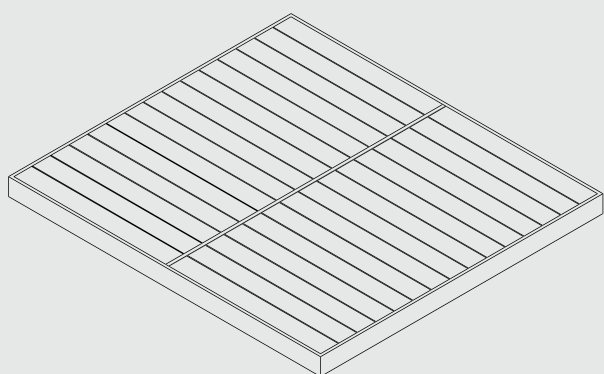
RASO DOCCIA SHOWER



In **Rasodoccia** the glass enclosure and shower tray are integrated into a single system, in the name of simplicity.

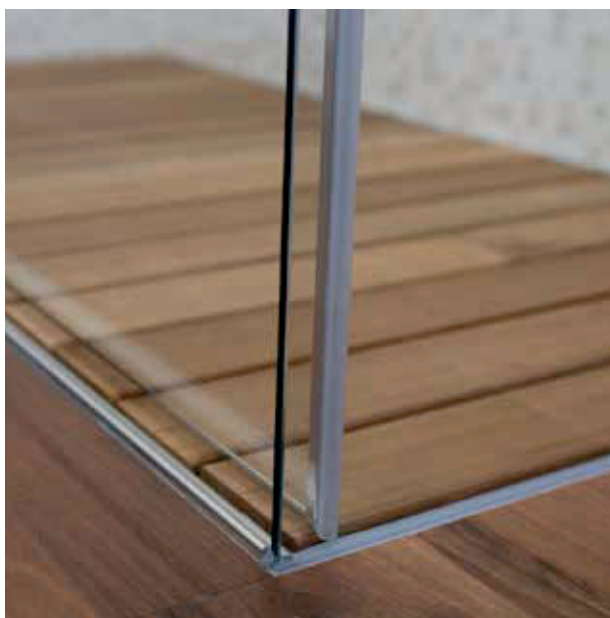
The tray consists of an aluminium frame and a water collection basin covered by wooden or aluminium slats, which form the walkable surface of the shower enclosure, laid flush with the floor.

FILO DOCCIA SHOWER



Filodoccia is the same Rasodoccia system designed for all situations where it is not possible, due to insufficient space in the screed, to install a Rasodoccia system.

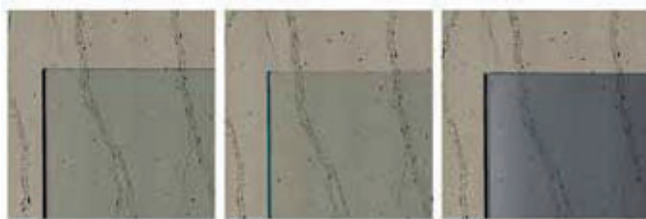
RASODOCCIA



FILODOCCIA

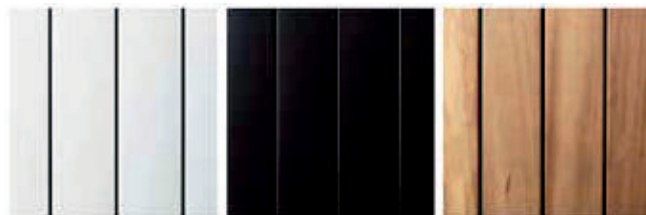


TECHNICAL FEATURES



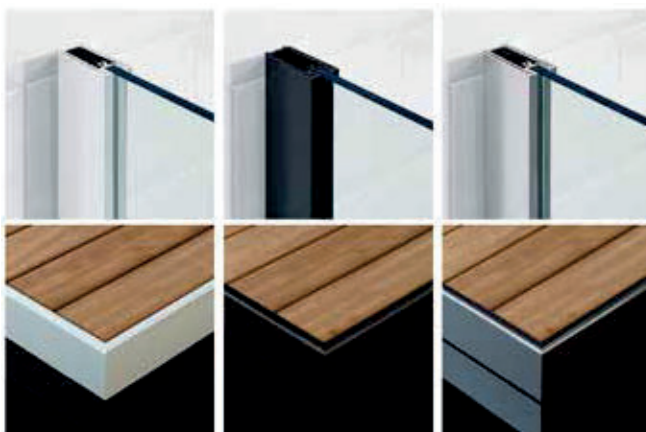
GLASS FINISHES:

RASODOCCIA and FILODOCCIA use 8 mm thick tempered glass panels for doors and walls, in transparent, extra clear, and smoked colors, with Protective Glass treatment as standard.



SLAT FINISHES:

Slats in aluminum painted white or anthracite black, or in solid Iroko or Teak wood.



PROFILE FINISHES:

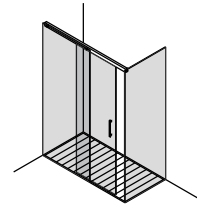
All profiles (plate+cabin) are made of aluminum painted in white or anthracite black, or in polished silver.

SHOWER ENCLOSURE	
HEIGHT STANDARD	h. 1976 mm
GLASS THICKNESS	8 mm
HANDLE	PIVOT: 198 mm SLIDING: 580 mm
HEIGHT EXCAVATION IN THE FLOOR	155 mm
PROTECTIVE	included
DELIVERY TIME	4-5 weeks
AVAILABLE FINISHES	
GLASS FINISHES	transparent tempered glass
	fumè tempered glass
	extra-clear tempered glass
SLAT FINISHES	aluminum White
	aluminum Black
	Wood iroko
	Wood teak
PROFILE FINISHES	matt White aluminum
	matt Black aluminum
	bright chrome aluminum
SHOWER COLUMN	bright chrome aluminum

RASODOCCIA+FILODOCCIA

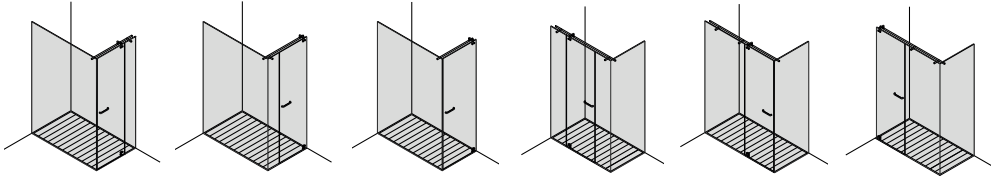
island	pivot	
	open	
peninsula	sliding	
	pivot	
open		

RASODOCCIA+FILODOCCIA

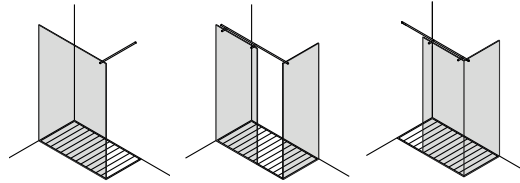


sliding

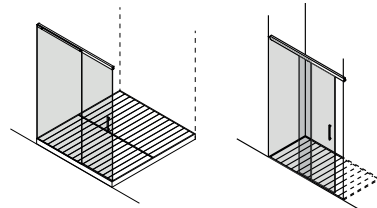
corner



pivot

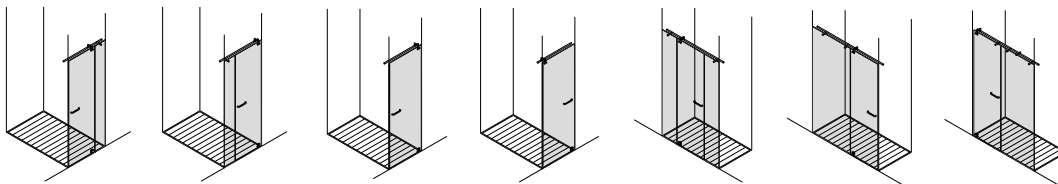


open

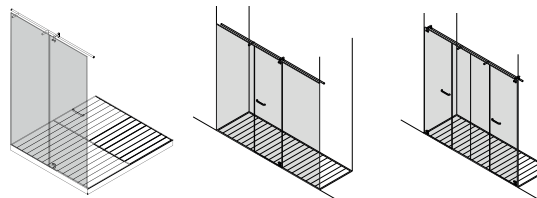


sliding

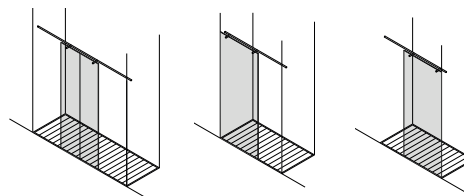
niche



pivot



open



RASO/FILO SINGLE SHOWER TRAY

FLOOR



White "E"



Black "Z"



Iroko "L"



Teak "T"

PROFILE FINISHES



Matt White Aluminum "E"



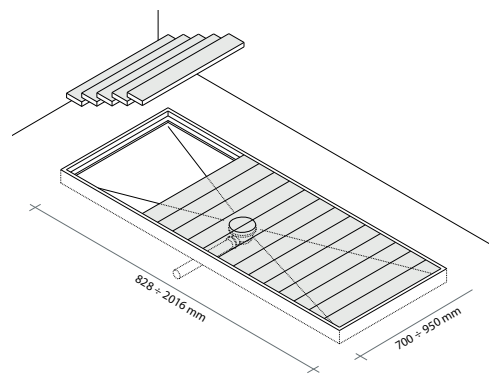
Matt Black Aluminum "Z"



Brilliant Chrome Aluminium "Q"

ES: PF 20 AA D*/EE

*: indicate the position of the shower column



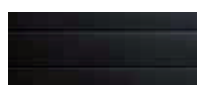
RASO/FILO	MODEL SHOWER	MEASURE	LENGTH	WIDTH						BOX VERSIUM	PROFILES	FINISHES LATTES PLANCHER				DELIVERY
				A	B	C	D	E	F			WHITE - E	BLACK - Z	IROKO - L	TEAK - T	
PR - PF	--	A	828	700	750	800	850	900	950	D - S	E	2.032	2.032	2.341	3.159	4-5 weeks
											Z	2.032	2.032	2.341	3.159	4-5 weeks
											Q	2.187	2.187	2.576	3.476	4-5 weeks
PR - PF	--	B	927	700	750	800	850	900	950	D - S	E	2.032	2.032	2.341	3.159	4-5 weeks
											Z	2.032	2.032	2.341	3.159	4-5 weeks
											Q	2.187	2.187	2.576	3.476	4-5 weeks
PR - PF	--	C	1.026	700	750	800	850	900	950	D - S	E	2.032	2.032	2.341	3.159	4-5 weeks
											Z	2.032	2.032	2.341	3.159	4-5 weeks
											Q	2.187	2.187	2.576	3.476	4-5 weeks
PR - PF	--	D	1.125	700	750	800	850	900	950	D - S	E	2.032	2.032	2.341	3.159	4-5 weeks
											Z	2.032	2.032	2.341	3.159	4-5 weeks
											Q	2.187	2.187	2.576	3.476	4-5 weeks
PR - PF	--	E	1.224	700	750	800	850	900	950	D - S	E	2.032	2.032	2.341	3.159	4-5 weeks
											Z	2.032	2.032	2.341	3.159	4-5 weeks
											Q	2.187	2.187	2.576	3.476	4-5 weeks
PR - PF	--	F	1.323	700	750	800	850	900	950	D - S	E	2.032	2.032	2.341	3.159	4-5 weeks
											Z	2.032	2.032	2.341	3.159	4-5 weeks
											Q	2.187	2.187	2.576	3.476	4-5 weeks
PR - PF	--	G	1.422	700	750	800	850	900	950	D - S	E	2.032	2.032	2.341	3.159	4-5 weeks
											Z	2.032	2.032	2.341	3.159	4-5 weeks
											Q	2.187	2.187	2.576	3.476	4-5 weeks
PR - PF	--	H	1.521	700	750	800	850	900	950	D - S	E	2.187	2.187	2.807	3.791	4-5 weeks
											Z	2.187	2.187	2.807	3.791	4-5 weeks
											Q	2.341	2.341	2.966	4.000	4-5 weeks
PR - PF	--	I	1.620	700	750	800	850	900	950	D - S	E	2.187	2.187	2.807	3.791	4-5 weeks
											Z	2.187	2.187	2.807	3.791	4-5 weeks
											Q	2.341	2.341	2.966	4.000	4-5 weeks
PR - PF	--	L	1.719	700	750	800	850	900	950	D - S	E	2.187	2.187	2.807	3.791	4-5 weeks
											Z	2.187	2.187	2.807	3.791	4-5 weeks
											Q	2.341	2.341	2.966	4.000	4-5 weeks
PR - PF	--	M	1.818	700	750	800	850	900	950	D - S	E	2.187	2.187	2.807	3.791	4-5 weeks
											Z	2.187	2.187	2.807	3.791	4-5 weeks
											Q	2.341	2.341	2.966	4.000	4-5 weeks
PR - PF	--	N	1.917	700	750	800	850	900	950	D - S	E	2.576	2.576	3.355	4.527	4-5 weeks
											Z	2.576	2.576	3.355	4.527	4-5 weeks
											Q	2.807	2.807	3.511	4.764	4-5 weeks
PR - PF	--	O	2.016	700	750	800	850	900	950	D - S	E	2.576	2.576	3.355	4.527	4-5 weeks
											Z	2.576	2.576	3.355	4.527	4-5 weeks
											Q	2.807	2.807	3.511	4.764	4-5 weeks

RASO/FILO SHOWER TRAY EXTRA

FLOOR - CEILING STAVES



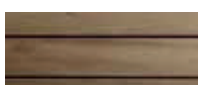
White "E"



Black "Z"



Iroko "L"



Teak "T"

PROFILE FINISHES



Matt White Aluminum "E"

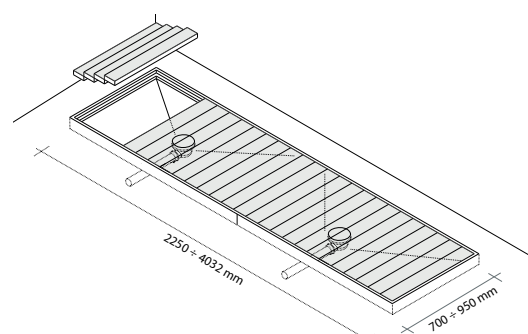


Matt Black Aluminum "Z"



Brilliant Chrome Aluminium "Q"

EXAMPLE OF PRICE CALCULATION: Length shower tray 2.349 mm = D (1.125) + E (1.124) = 2.187 + 2.187 = 4.374



RASO/FILO DOUBLE SHOWER TRAY

FLOOR



White "E"



Black "Z"

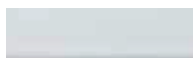


Iroko "L"

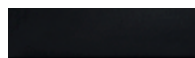


Teak "T"

PROFILE FINISHES



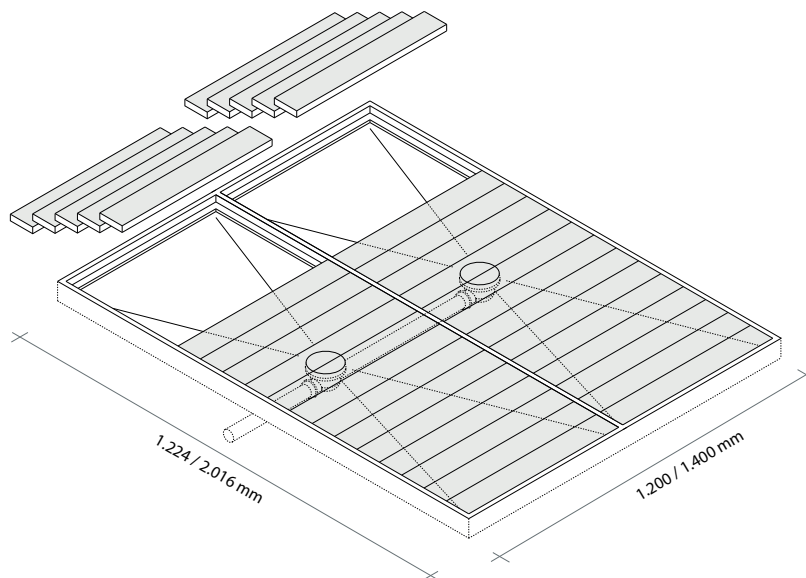
Matt White Aluminum "E"



Matt Black Aluminum "Z"



Brilliant Chrome Aluminium "Q"



ES: PF 20 EG D*/EE

*: indicate the position of the shower column

RASO/FILO	MODEL SHOWER	MEASURE	LENGTH	WIDTH			BOX VERSIUM	PROFILES	FINISHES LATTES PLANCHER				DELIVERY
				G	H	I			WHITE - E	BLACK - Z	IROKO - L	TEAK - T	
PR - PF	--	E	1.224	1.200	1.300	1.400	D - S	E	3.373	3.373	3.987	5.239	4-5 weeks
								Z	3.373	3.373	3.987	5.239	4-5 weeks
								Q	3.853	3.853	4.421	6.112	4-5 weeks
PR - PF	--	F	1.323	1.200	1.300	1.400	D - S	E	3.373	3.373	3.987	5.239	4-5 weeks
								Z	3.373	3.373	3.987	5.239	4-5 weeks
								Q	3.853	3.853	4.421	6.112	4-5 weeks
PR - PF	--	G	1.422	1.200	1.300	1.400	D - S	E	3.373	3.373	3.987	5.239	4-5 weeks
								Z	3.373	3.373	3.987	5.239	4-5 weeks
								Q	3.853	3.853	4.421	6.112	4-5 weeks
PR - PF	--	H	1.521	1.200	1.300	1.400	D - S	E	3.710	3.710	4.387	5.763	4-5 weeks
								Z	3.710	3.710	4.387	5.763	4-5 weeks
								Q	4.238	4.238	4.863	6.724	4-5 weeks
PR - PF	--	I	1.620	1.200	1.300	1.400	D - S	E	3.710	3.710	4.387	5.763	4-5 weeks
								Z	3.710	3.710	4.387	5.763	4-5 weeks
								Q	4.238	4.238	4.863	6.724	4-5 weeks
PR - PF	--	L	1.719	1.200	1.300	1.400	D - S	E	3.710	3.710	4.387	5.763	4-5 weeks
								Z	3.710	3.710	4.387	5.763	4-5 weeks
								Q	4.238	4.238	4.863	6.724	4-5 weeks
PR - PF	--	M	1.818	1.200	1.300	1.400	D - S	E	3.710	3.710	4.387	5.763	4-5 weeks
								Z	3.710	3.710	4.387	5.763	4-5 weeks
								Q	4.238	4.238	4.863	6.724	4-5 weeks
PR - PF	--	N	1.917	1.200	1.300	1.400	D - S	E	4.038	4.038	4.714	6.091	4-5 weeks
								Z	4.038	4.038	4.714	6.091	4-5 weeks
								Q	4.583	4.583	5.408	7.269	4-5 weeks
PR - PF	--	O	2.016	1.200	1.300	1.400	D - S	E	4.038	4.038	4.714	6.091	4-5 weeks
								Z	4.038	4.038	4.714	6.091	4-5 weeks
								Q	4.583	4.583	5.408	7.269	4-5 weeks

RASO/FILO DOCCIA 08

GLASS FINISHES



Transparent glass "F"



Fumè glass "N"



Extra-clear Glass "Q"

PROFILE FINISHES



Matt White Aluminum "E"

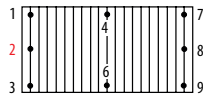


Matt Black Aluminum "Z"

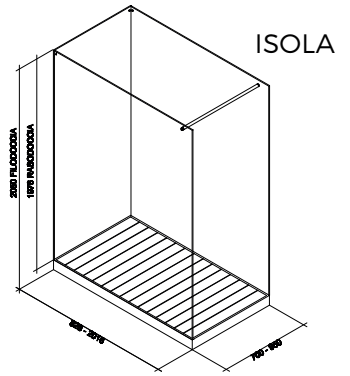


Brilliant Chrome Aluminium "Q"

COLUMN POSITION ON THE TRAY



0 without column 2 with column



							FINISHES GLASS			
RASO-FILO	MODEL	LENGTH	WIDTH	VERSUM	COLUMN	PROFILES	TRANSPARENT - F	FUMÈ - N	EXTRA-CHIARO - Q	DELIVERY
CF (FILO) CR (RASO)	08	1224 - E	700 - A / 750 - B / 800 - C 850 - D / 900 - E / 950 - F	D - S	-	E	2.252	2.702	2.926	4-5 weeks
		1224 - E		D - S	-	Z	2.252	2.702	2.926	4-5 weeks
		1224 - E		D - S	-	Q	2.476	2.971	3.219	4-5 weeks
CF (FILO) CR (RASO)	08	1422 - G	700 - A / 750 - B / 800 - C 850 - D / 900 - E / 950 - F	D - S	-	E	2.252	2.702	2.926	4-5 weeks
		1422 - G		D - S	-	Z	2.252	2.702	2.926	4-5 weeks
		1422 - G		D - S	-	Q	2.476	2.971	3.219	4-5 weeks
CF (FILO) CR (RASO)	08	1818 - M	700 - A / 750 - B / 800 - C 850 - D / 900 - E / 950 - F	D - S	-	E	2.848	3.416	3.700	4-5 weeks
		1818 - M		D - S	-	Z	2.848	3.416	3.700	4-5 weeks
		1818 - M		D - S	-	Q	3.414	3.757	4.071	4-5 weeks
CF (FILO) CR (RASO)	08	2016 - O	700 - A / 750 - B / 800 - C 850 - D / 900 - E / 950 - F	D - S	-	E	2.848	3.416	3.700	4-5 weeks
		2016 - O		D - S	-	Z	2.848	3.416	3.700	4-5 weeks
		2016 - O		D - S	-	Q	3.414	3.757	4.071	4-5 weeks
SHOWER COLUMN				FINISHES						
5C036/Q				ALL. BRILLIANT CHROME			2.617			

ES: CF 08 E A D O / EF

RASO/FILO DOCCIA 06

GLASS FINISHES



Transparent glass "F"



Fumè glass "N"



Extra-clear Glass "Q"

PROFILE FINISHES



Matt White Aluminum "E"

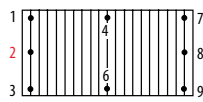


Matt Black Aluminum "Z"

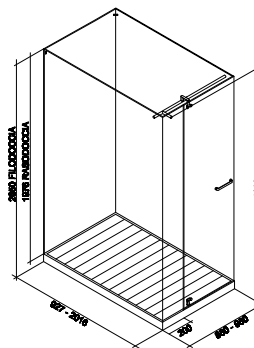


Brilliant Chrome Aluminium "Q"

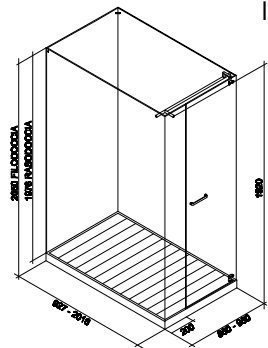
COLUMN POSITION ON THE TRAY



0 without column 2 with column



*S LEFT



*D RIGHT

							FINISHES GLASS			
RASO-FILO	MODEL	LENGTH	WIDTH	VERSUM	COLUMN	PROFILES	TRANSPARENT - F	FUMÈ - N	EXTRA-CHIARO - Q	DELIVERY
CF (FILO) CR (RASO)	06	927 - B	800 - C / 850 - D / 900 - E	D - S	-	E	5.087	6.103	6.614	4-5 weeks
		927 - B		D - S	-	Z	5.087	6.103	6.614	4-5 weeks
		927 - B		D - S	-	Q	5.595	6.713	7.274	4-5 weeks
CF (FILO) CR (RASO)	06	1026 - C	800 - C / 850 - D / 900 - E	D - S	-	E	5.087	6.103	6.614	4-5 weeks
		1026 - C		D - S	-	Z	5.087	6.103	6.614	4-5 weeks
		1026 - C		D - S	-	Q	5.595	6.713	7.274	4-5 weeks
CF (FILO) CR (RASO)	06	1224 - E	800 - C / 850 - D / 900 - E	D - S	-	E	5.526	7.214	7.816	4-5 weeks
		1224 - E		D - S	-	Z	5.526	7.214	7.816	4-5 weeks
		1224 - E		D - S	-	Q	6.079	7.933	8.594	4-5 weeks
CF (FILO) CR (RASO)	06	1422 - G	800 - C / 850 - D / 900 - E	D - S	-	E	5.526	7.214	7.816	4-5 weeks
		1422 - G		D - S	-	Z	5.526	7.214	7.816	4-5 weeks
		1422 - G		D - S	-	Q	6.079	7.933	8.594	4-5 weeks
SHOWER COLUMN				FINISHES						
5C036/Q				ALL. BRILLIANT CHROME			2.617			

ES: CF 06 B C D O / EF

202

PRICE LIST EXPRESSED IN POINTS

megius

RASO/FILO DOCCIA 10

GLASS FINISHES



Transparent glass "F"



Fumè glass "N"

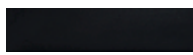


Extra-clear Glass "Q"

PROFILE FINISHES



Matt White Aluminum "E"

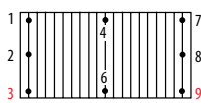


Matt Black Aluminum "Z"

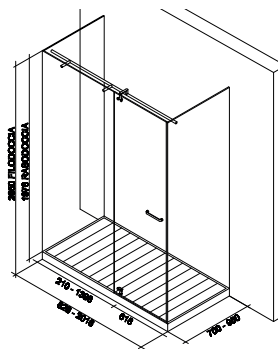


Brilliant Chrome Aluminium "Q"

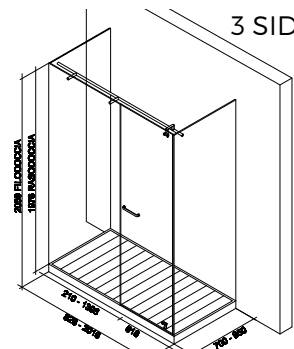
COLUMN POSITION ON THE TRAY



0 without column 3 9 with column



*S LEFT



*D RIGHT

FINISHES GLASS

RASO-FILO	MODEL	LENGTH	WIDTH	VERSUM	COLUMN	PROFILES	TRANSPARENT - F	FUMÈ - N	EXTRA-CHIARO - Q	DELIVERY
CF (FILO) CR (RASO)	10	927 - B	800 - C / 850 - D / 900 - E	D - S	-	E	3.029	3.633	3.936	4-5 weeks
		927 - B		D - S	-	Z	3.029	3.633	3.936	4-5 weeks
		927 - B		D - S	-	Q	3.331	3.996	4.330	4-5 weeks
CF (FILO) CR (RASO)	10	1026 - C	800 - C / 850 - D / 900 - E	D - S	-	E	3.029	3.633	3.936	4-5 weeks
		1026 - C		D - S	-	Z	3.029	3.633	3.936	4-5 weeks
		1026 - C		D - S	-	Q	3.331	3.996	4.330	4-5 weeks
CF (FILO) CR (RASO)	10	1125 - D	800 - C / 850 - D / 900 - E	D - S	-	E	3.172	3.805	4.124	4-5 weeks
		1125 - D		D - S	-	Z	3.172	3.805	4.124	4-5 weeks
		1125 - D		D - S	-	Q	3.489	4.187	4.535	4-5 weeks
CF (FILO) CR (RASO)	10	1224 - E	800 - C / 850 - D / 900 - E	D - S	-	E	3.172	3.805	4.124	4-5 weeks
		1224 - E		D - S	-	Z	3.172	3.805	4.124	4-5 weeks
		1224 - E		D - S	-	Q	3.489	4.187	4.535	4-5 weeks

SHOWER COLUMN

5C036/Q

FINISHES

ALL. BRILLIANT CHROME

2.617

ES: CF 10 B C D 0 / EF

RASO/FILO DOCCIA 51

GLASS FINISHES



Transparent glass "F"



Fumè glass "N"

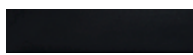


Extra-clear Glass "Q"

PROFILE FINISHES



Matt White Aluminum "E"

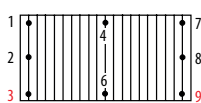


Matt Black Aluminum "Z"

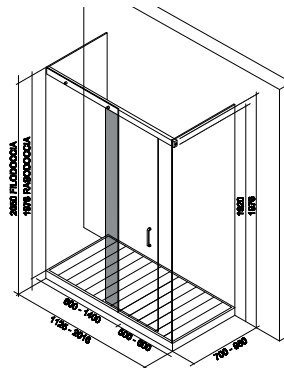


Brilliant Chrome Aluminium "Q"

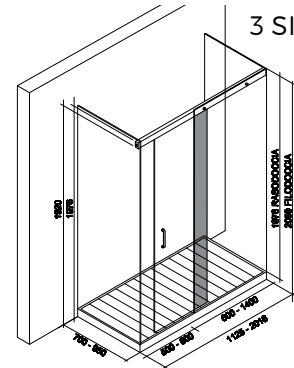
COLUMN POSITION ON THE TRAY



0 without column 3 9 with column



*S LEFT



*D RIGHT

FINISHES GLASS

RASO-FILO	MODEL	LENGTH	WIDTH	VERSUM	COLUMN	PROFILES	TRANSPARENT - F	FUMÈ - N	EXTRA-CHIARO - Q	DELIVERY
CF (FILO) CR (RASO)	51	1125 - D	700 - A / 750 - B / 800 - C 850 - D / 900 - E / 950 - F	D - S	-	E	3.029	3.633	3.936	4-5 weeks
		1125 - D		D - S	-	Z	3.029	3.633	3.936	4-5 weeks
		1125 - D		D - S	-	Q	3.331	3.996	4.330	4-5 weeks
CF (FILO) CR (RASO)	51	1224 - E	700 - A / 750 - B / 800 - C 850 - D / 900 - E / 950 - F	D - S	-	E	3.172	3.805	4.124	4-5 weeks
		1224 - E		D - S	-	Z	3.172	3.805	4.124	4-5 weeks
		1224 - E		D - S	-	Q	3.489	4.184	4.535	4-5 weeks
CF (FILO) CR (RASO)	51	1422 - G	700 - A / 750 - B / 800 - C 850 - D / 900 - E / 950 - F	D - S	-	E	3.172	3.805	4.124	4-5 weeks
		1422 - G		D - S	-	Z	3.172	3.805	4.124	4-5 weeks
		1422 - G		D - S	-	Q	3.489	4.187	4.535	4-5 weeks
CF (FILO) CR (RASO)	51	1620 - I	700 - A / 750 - B / 800 - C 850 - D / 900 - E / 950 - F	D - S	-	E	3.172	3.805	4.124	4-5 weeks
		1620 - I		D - S	-	Z	3.172	3.805	4.124	4-5 weeks
		1620 - I		D - S	-	Q	3.489	4.187	4.535	4-5 weeks

SHOWER COLUMN

5C036/Q

FINISHES

ALL. BRILLIANT CHROME

2.617

ES: CR 51 E A D 0 / EF

RASO/FILO DOCCIA 20-77

GLASS FINISHES



Transparent glass "F"

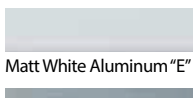


Fumè glass "N"

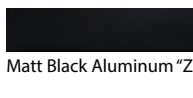


Extra-clear Glass "Q"

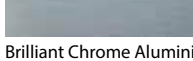
PROFILE FINISHES



Matt White Aluminum "E"

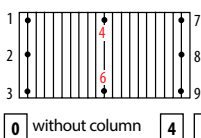


Matt Black Aluminum "Z"

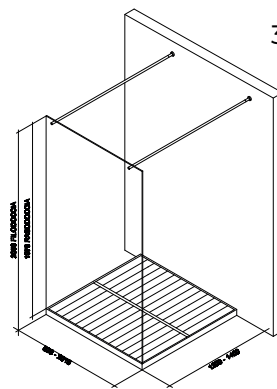
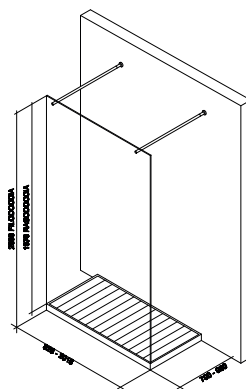


Brilliant Chrome Aluminium "Q"

COLUMN POSITION ON THE TRAY



0 without column 4 6 with column



3 SIDE

FINISHES GLASS

RASO-FILO	MODEL	LENGTH	WIDTH	VERSUM	COLUMN	PROFILES	TRANSPARENT - F	FUMÈ - N	EXTRA-CHIARO - Q	DELIVERY
CF (FILO) CR (RASO)	20	1422 - G	700 - A / 750 - B	D - S	-	E	1.292	1.504	1.611	4-5 weeks
		1422 - G	800 - C / 850 - D	D - S	-	Z	1.292	1.504	1.611	4-5 weeks
		1422 - G	900 - E / 950 - F	D - S	-	Q	1.397	1.632	1.749	4-5 weeks
CF (FILO) CR (RASO)	20	1620 - I	700 - A / 750 - B	D - S	-	E	1.292	1.504	1.611	4-5 weeks
		1620 - I	800 - C / 850 - D	D - S	-	Z	1.292	1.504	1.611	4-5 weeks
		1620 - I	900 - E / 950 - F	D - S	-	Q	1.397	1.632	1.749	4-5 weeks
CF (FILO) CR (RASO)	20	1818 - M	700 - A / 750 - B	D - S	-	E	1.363	1.590	1.704	4-5 weeks
		1818 - M	800 - C / 850 - D	D - S	-	Z	1.363	1.590	1.704	4-5 weeks
		1818 - M	900 - E / 950 - F	D - S	-	Q	1.498	1.728	1.854	4-5 weeks
CF (FILO) CR (RASO)	20	2016 - O	700 - A / 750 - B	D - S	-	E	1.363	1.590	1.704	4-5 weeks
		2016 - O	800 - C / 850 - D	D - S	-	Z	1.363	1.590	1.704	4-5 weeks
		2016 - O	900 - E / 950 - F	D - S	-	Q	1.498	1.728	1.854	4-5 weeks

SHOWER COLUMN

5C036/Q

FINISHES

ALL. BRILLIANT CHROME

2.617

ES: CF 20 G A D O / EF

RASO/FILO DOCCIA 29

GLASS FINISHES



Transparent glass "F"

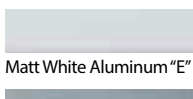


Fumè glass "N"

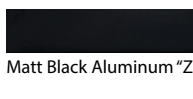


Extra-clear Glass "Q"

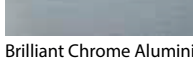
PROFILE FINISHES



Matt White Aluminum "E"

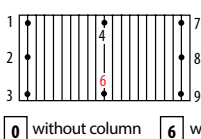


Matt Black Aluminum "Z"

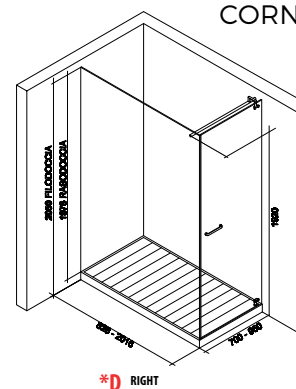
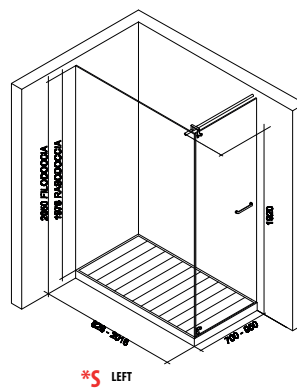


Brilliant Chrome Aluminium "Q"

COLUMN POSITION ON THE TRAY



0 without column 6 with column



CORNER

FINISHES GLASS

RASO-FILO	MODEL	LENGTH	WIDTH	VERSUM	COLUMN	PROFILES	TRANSPARENT - F	FUMÈ - N	EXTRA-CHIARO - Q	DELIVERY
CF (FILO) CR (RASO)	29	927 - B	700 - A / 750 - B / 800 - C	D - S	-	E	2.091	2.509	2.717	4-5 weeks
		927 - B	850 - D / 900 - E / 950 - F	D - S	-	Z	2.091	2.509	2.717	4-5 weeks
		927 - B		D - S	-	Q	2.299	2.760	2.990	4-5 weeks
CF (FILO) CR (RASO)	29	1026 - C	700 - A / 750 - B / 800 - C	D - S	-	E	2.091	2.509	2.717	4-5 weeks
		1026 - C	850 - D / 900 - E / 950 - F	D - S	-	Z	2.091	2.509	2.717	4-5 weeks
		1026 - C		D - S	-	Q	2.299	2.760	2.990	4-5 weeks
CF (FILO) CR (RASO)	29	1224 - E	700 - A / 750 - B / 800 - C	D - S	-	E	2.301	2.763	2.993	4-5 weeks
		1224 - E	850 - D / 900 - E / 950 - F	D - S	-	Z	2.301	2.763	2.993	4-5 weeks
		1224 - E		D - S	-	Q	2.533	3.039	3.292	4-5 weeks
CF (FILO) CR (RASO)	29	1422 - G	700 - A / 750 - B / 800 - C	D - S	-	E	2.301	2.763	2.993	4-5 weeks
		1422 - G	850 - D / 900 - E / 950 - F	D - S	-	Z	2.301	2.763	2.993	4-5 weeks
		1422 - G		D - S	-	Q	2.533	3.039	3.292	4-5 weeks

SHOWER COLUMN

5C036/Q

FINISHES

ALL. BRILLIANT CHROME

2.617

ES: CF 29 B A D O / EF

204

PRICE LIST EXPRESSED IN POINTS

megius

RASO/FILO DOCCIA 23

GLASS FINISHES



Transparent glass "F"



Fumè glass "N"

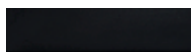


Extra-clear Glass "Q"

PROFILE FINISHES



Matt White Aluminum "E"

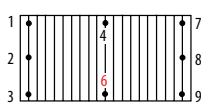


Matt Black Aluminum "Z"

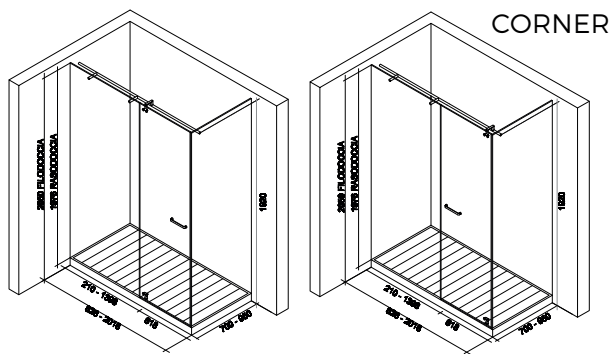


Brilliant Chrome Aluminium "Q"

COLUMN POSITION ON THE TRAY



0 without column 6 with column



CORNER

*S LEFT

*D RIGHT

FINISHES GLASS

RASO-FILO	MODEL	LENGTH	WIDTH	VERSUM	COLUMN	PROFILES	TRANSPARENT - F	FUMÈ - N	EXTRA-CHIARO - Q	DELIVERY
CF (FILO) CR (RASO)	23	1026 - G	700 - A / 750 - B	D - S	-	E	2.091	2.509	2.718	4-5 weeks
		1026 - G	800 - C / 850 - D	D - S	-	Z	2.091	2.509	2.718	4-5 weeks
		1026 - G	900 - E / 950 - F	D - S	-	Q	2.300	2.760	2.990	4-5 weeks
CF (FILO) CR (RASO)	23	1224 - E	700 - A / 750 - B	D - S	-	E	2.302	2.764	2.993	4-5 weeks
		1224 - E	800 - C / 850 - D	D - S	-	Z	2.302	2.764	2.993	4-5 weeks
		1224 - E	900 - E / 950 - F	D - S	-	Q	2.533	3.039	3.293	4-5 weeks
CF (FILO) CR (RASO)	23	1422 - G	700 - A / 750 - B	D - S	-	E	2.302	2.764	2.993	4-5 weeks
		1422 - G	800 - C / 850 - D	D - S	-	Z	2.302	2.764	2.993	4-5 weeks
		1422 - G	900 - E / 950 - F	D - S	-	Q	2.533	3.039	3.293	4-5 weeks
CF (FILO) CR (RASO)	23	1620 - I	700 - A / 750 - B	D - S	-	E	2.302	2.764	2.993	4-5 weeks
		1620 - I	800 - C / 850 - D	D - S	-	Z	2.302	2.764	2.993	4-5 weeks
		1620 - I	900 - E / 950 - F	D - S	-	Q	2.533	3.039	3.293	4-5 weeks

SHOWER COLUMN

5C036/Q

FINISHES

ALL. BRILLIANT CHROME

2.617

ES: CF 23 G CD 0 / EF

RASO/FILO DOCCIA 31-32

GLASS FINISHES



Transparent glass "F"

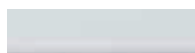


Fumè glass "N"



Extra-clear Glass "Q"

PROFILE FINISHES



Matt White Aluminum "E"

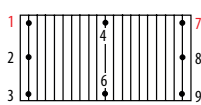


Matt Black Aluminum "Z"

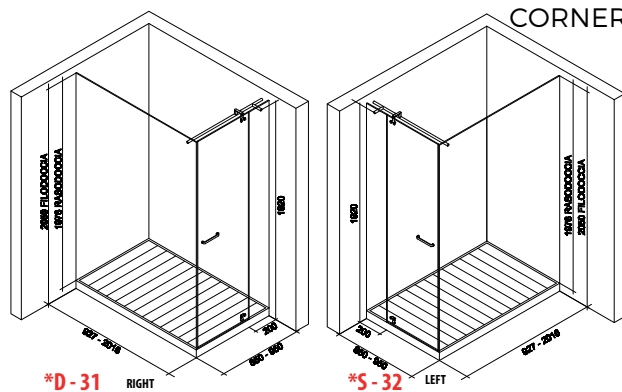


Brilliant Chrome Aluminium "Q"

COLUMN POSITION ON THE TRAY



0 without column 1 7 with column



CORNER

*D-31 RIGHT

*S-32 LEFT

FINISHES GLASS

RASO-FILO	MODEL	WIDTH	LENGTH	VERSUM	COLUMN	PROFILES	TRANSPARENT - F	FUMÈ - N	EXTRA-CHIARO - Q	DELIVERY
CF (FILO) CR (RASO)	*D-31 *S-32	700 - A / 750 - B / 800 - C 850 - D / 900 - E / 950 - F	1224 - E	D - S	-	E	2.302	2.764	2.993	4-5 weeks
			1224 - E	D - S	-	Z	2.302	2.764	2.993	4-5 weeks
			1224 - E	D - S	-	Q	2.533	3.039	3.293	4-5 weeks
CF (FILO) CR (RASO)	*D-31 *S-32	700 - A / 750 - B / 800 - C 850 - D / 900 - E / 950 - F	1620 - I	D - S	-	E	2.302	2.764	2.993	4-5 weeks
			1620 - I	D - S	-	Z	2.302	2.764	2.993	4-5 weeks
			1620 - I	D - S	-	Q	2.533	3.039	3.293	4-5 weeks
CF (FILO) CR (RASO)	*D-31 *S-32	700 - A / 750 - B / 800 - C 850 - D / 900 - E / 950 - F	1818 - M	D - S	-	E	2.803	3.363	3.646	4-5 weeks
			1818 - M	D - S	-	Z	2.803	3.363	3.646	4-5 weeks
			1818 - M	D - S	-	Q	3.084	3.700	4.010	4-5 weeks
CF (FILO) CR (RASO)	*D-31 *S-32	700 - A / 750 - B / 800 - C 850 - D / 900 - E / 950 - F	2016 - 0	D - S	-	E	2.803	3.363	3.646	4-5 weeks
			2016 - 0	D - S	-	Z	2.803	3.363	3.646	4-5 weeks
			2016 - 0	D - S	-	Q	3.084	3.700	4.010	4-5 weeks

SHOWER COLUMN

5C036/Q

FINISHES

ALL. BRILLIANT CHROME

2.617

ES: CR 31A ED 0 / EF

RASO/FILO DOCCIA 22

GLASS FINISHES



Transparent glass "F"



Fumè glass "N"



Extra-clear Glass "Q"

PROFILE FINISHES



Matt White Aluminum "E"

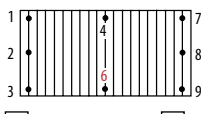


Matt Black Aluminum "Z"

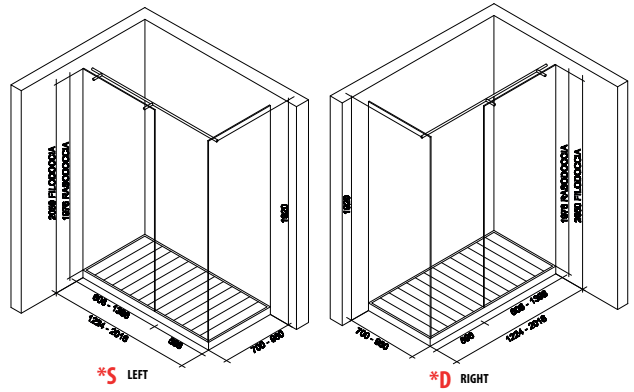


Brilliant Chrome Aluminium "Q"

COLUMN POSITION ON THE TRAY



0 without column 6 with column



FINISHES GLASS

RASO-FILO	MODEL	LENGTH	WIDTH	VERSUM	COLUMN	PROFILES	TRANSPARENT - F	FUMÈ - N	EXTRA-CHIARO - Q	DELIVERY
CF (FILO) CR (RASO)	22	1422 - G	700 - A / 750 - B	D - S	-	E	1.637	1.965	2.128	4-5 weeks
		1422 - G	800 - C / 850 - D	D - S	-	Z	1.637	1.965	2.128	4-5 weeks
		1422 - G	900 - E / 950 - F	D - S	-	Q	1.803	2.162	2.342	4-5 weeks
CF (FILO) CR (RASO)	22	1620 - I	700 - A / 750 - B	D - S	-	E	1.637	1.965	2.128	4-5 weeks
		1620 - I	800 - C / 850 - D	D - S	-	Z	1.637	1.965	2.128	4-5 weeks
		1620 - I	900 - E / 950 - F	D - S	-	Q	1.803	2.162	2.342	4-5 weeks
CF (FILO) CR (RASO)	22	1818 - M	700 - A / 750 - B	D - S	-	E	1.818	2.180	2.364	4-5 weeks
		1818 - M	800 - C / 850 - D	D - S	-	Z	1.818	2.180	2.364	4-5 weeks
		1818 - M	900 - E / 950 - F	D - S	-	Q	2.001	2.399	2.598	4-5 weeks
CF (FILO) CR (RASO)	22	2016 - O	700 - A / 750 - B	D - S	-	E	1.818	2.180	2.364	4-5 weeks
		2016 - O	800 - C / 850 - D	D - S	-	Z	1.818	2.180	2.364	4-5 weeks
		2016 - O	900 - E / 950 - F	D - S	-	Q	2.001	2.399	2.598	4-5 weeks

SHOWER COLUMN

5C036/Q

FINISHES

ALL. BRILLIANT CHROME

2.617

ES: CF 22 M A D O / EF

RASO/FILO DOCCIA 35-36

GLASS FINISHES



Transparent glass "F"



Fumè glass "N"



Extra-clear Glass "Q"

PROFILE FINISHES



Matt White Aluminum "E"

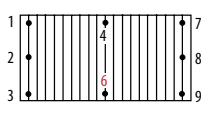


Matt Black Aluminum "Z"

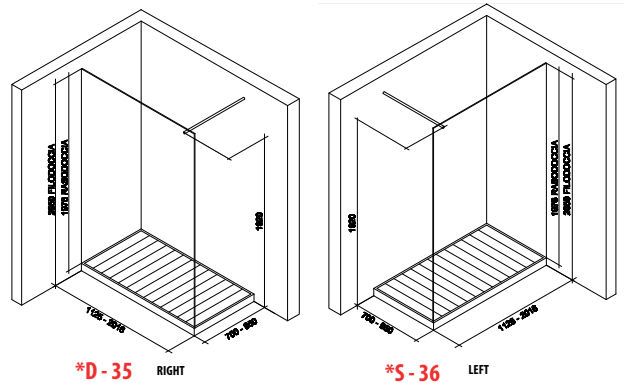


Brilliant Chrome Aluminium "Q"

COLUMN POSITION ON THE TRAY



0 without column 6 with column



FINISHES GLASS

RASO-FILO	MODEL	LENGTH	WIDTH	VERSUM	COLUMN	PROFILES	TRANSPARENT - F	FUMÈ - N	EXTRA-CHIARO - Q	DELIVERY
CF (FILO) CR (RASO)	*D - 35 *S - 36	1224 - E	700 - A / 750 - B / 800 - C	D - S	-	E	1.070	1.283	1.390	4-5 weeks
		1224 - E	850 - D / 900 - E / 950 - F	D - S	-	Z	1.070	1.283	1.390	4-5 weeks
		1224 - E		D - S	-	Q	1.177	1.411	1.590	4-5 weeks
CF (FILO) CR (RASO)	*D - 35 *S - 36	1620 - I	700 - A / 750 - B / 800 - C	D - S	-	E	1.070	1.283	1.390	4-5 weeks
		1620 - I	850 - D / 900 - E / 950 - F	D - S	-	Z	1.070	1.283	1.390	4-5 weeks
		1620 - I		D - S	-	Q	1.177	1.411	1.590	4-5 weeks
CF (FILO) CR (RASO)	*D - 35 *S - 36	1818 - M	700 - A / 750 - B / 800 - C	D - S	-	E	1.143	1.370	1.485	4-5 weeks
		1818 - M	850 - D / 900 - E / 950 - F	D - S	-	Z	1.143	1.370	1.485	4-5 weeks
		1818 - M		D - S	-	Q	1.257	1.507	1.632	4-5 weeks
CF (FILO) CR (RASO)	*D - 35 *S - 36	2016 - O	700 - A / 750 - B / 800 - C	D - S	-	E	1.143	1.370	1.485	4-5 weeks
		2016 - O	850 - D / 900 - E / 950 - F	D - S	-	Z	1.143	1.370	1.485	4-5 weeks
		2016 - O		D - S	-	Q	1.257	1.507	1.632	4-5 weeks

SHOWER COLUMN

5C036/Q

FINISHES

ALL. BRILLIANT CHROME

2.617

ES: CF 35 E A D 6 / EF

206

PRICE LIST EXPRESSED IN POINTS

megius

RASO/FILO DOCCIA 52-53

GLASS FINISHES



Transparent glass "F"



Fumè glass "N"

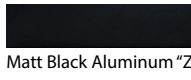


Extra-clear Glass "Q"

PROFILE FINISHES



Matt White Aluminum "E"

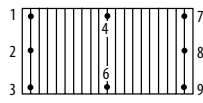


Matt Black Aluminum "Z"

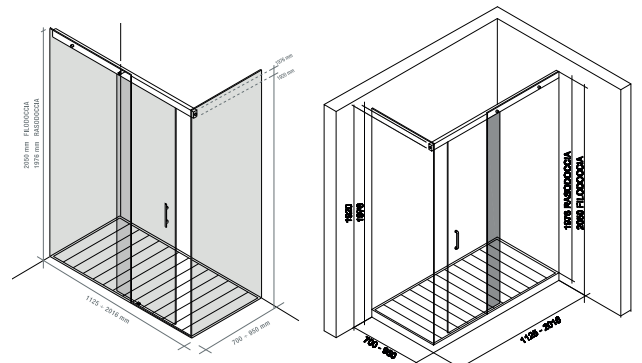


Brilliant Chrome Aluminium "Q"

COLUMN POSITION ON THE TRAY



0 without column



*S-53 LEFT

*D-52 RIGHT

FINISHES GLASS

RASO-FILO	MODEL	LENGTH	WIDTH	VERSUM	COLUMN	PROFILES	TRANSPARENT - F	FUMÈ - N	EXTRA-CHIARO - Q	DELIVERY
CF (FILO) CR (RASO)	*D-52 *S-53	1224 - E	700 - A / 750 - B / 800 - C 850 - D / 900 - E / 950 - F	D - S	0	E	2.301	2.763	2.993	4-5 weeks
		1224 - E		D - S	0	Z	2.301	2.763	2.993	4-5 weeks
		1224 - E		D - S	0	Q	2.533	3.039	3.292	4-5 weeks
CF (FILO) CR (RASO)	*D-52 *S-53	1422 - G	700 - A / 750 - B / 800 - C 850 - D / 900 - E / 950 - F	D - S	0	E	2.301	2.763	2.993	4-5 weeks
		1422 - G		D - S	0	Z	2.301	2.763	2.993	4-5 weeks
		1422 - G		D - S	0	Q	2.533	3.039	3.292	4-5 weeks
CF (FILO) CR (RASO)	*D-52 *S-53	1620 - I	700 - A / 750 - B / 800 - C 850 - D / 900 - E / 950 - F	D - S	0	E	2.803	3.363	3.646	4-5 weeks
		1620 - I		D - S	0	Z	2.803	3.363	3.646	4-5 weeks
		1620 - I		D - S	0	Q	3.084	3.699	4.009	4-5 weeks
CF (FILO) CR (RASO)	*D-52 *S-53	1818 - M	700 - A / 750 - B / 800 - C 850 - D / 900 - E / 950 - F	D - S	0	E	2.803	3.363	3.646	4-5 weeks
		1818 - M		D - S	0	Z	2.803	3.363	3.646	4-5 weeks
		1818 - M		D - S	0	Q	3.084	3.699	4.009	4-5 weeks

SHOWER COLUMN

5C036/Q

FINISHES

ALL. BRILLIANT CHROME

2.617

ES: CF 52 E A D 0 / EF

RASO/FILO DOCCIA 54

GLASS FINISHES



Transparent glass "F"



Fumè glass "N"

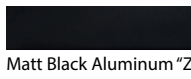


Extra-clear Glass "Q"

PROFILE FINISHES



Matt White Aluminum "E"

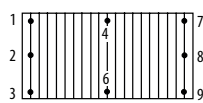


Matt Black Aluminum "Z"

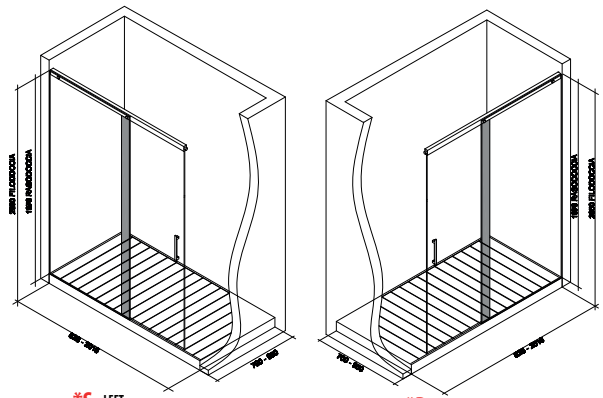


Brilliant Chrome Aluminium "Q"

COLUMN POSITION ON THE TRAY



0 without column



*S LEFT

*D RIGHT

FINISHES GLASS

RASO-FILO	MODEL	LENGTH	WIDTH	VERSUM	COLUMN	PROFILES	TRANSPARENT - F	FUMÈ - N	EXTRA-CHIARO - Q	DELIVERY
CF (FILO) CR (RASO)	54	1224 - E	700 - A / 750 - B 800 - C / 850 - D 900 - E / 950 - F	D - S	0	E	1.895	2.273	2.463	4-5 weeks
		1224 - E		D - S	0	Z	1.895	2.273	2.463	4-5 weeks
		1224 - E		D - S	0	Q	2.085	2.502	2.709	4-5 weeks
CF (FILO) CR (RASO)	54	1622 - I	700 - A / 750 - B 800 - C / 850 - D 900 - E / 950 - F	D - S	0	E	1.895	2.273	2.463	4-5 weeks
		1622 - I		D - S	0	Z	1.895	2.273	2.463	4-5 weeks
		1622 - I		D - S	0	Q	2.085	2.502	2.709	4-5 weeks
CF (FILO) CR (RASO)	54	1818 - M	700 - A / 750 - B 800 - C / 850 - D 900 - E / 950 - F	D - S	0	E	2.199	2.636	2.856	4-5 weeks
		1818 - M		D - S	0	Z	2.199	2.636	2.856	4-5 weeks
		1818 - M		D - S	0	Q	2.419	2.900	3.142	4-5 weeks
CF (FILO) CR (RASO)	54	2016 - O	700 - A / 750 - B 800 - C / 850 - D 900 - E / 950 - F	D - S	0	E	2.199	2.636	2.856	4-5 weeks
		2016 - O		D - S	0	Z	2.199	2.636	2.856	4-5 weeks
		2016 - O		D - S	0	Q	2.419	2.900	3.142	4-5 weeks

SHOWER COLUMN

5C036/Q

FINISHES

ALL. BRILLIANT CHROME

2.617

ES: CR 54 M F D 0 / EF

RASO/FILO DOCCIA 38-39

GLASS FINISHES



Transparent glass "F"



Fumè glass "N"



Extra-clear Glass "Q"

PROFILE FINISHES



Matt White Aluminum "E"

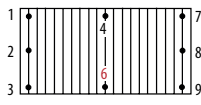


Matt Black Aluminum "Z"

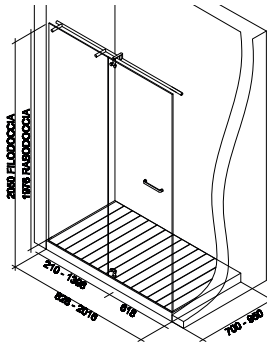


Brilliant Chrome Aluminium "Q"

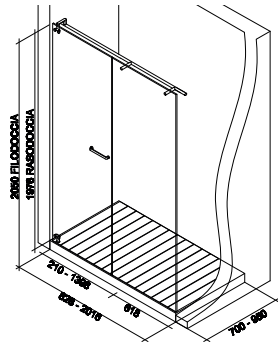
COLUMN POSITION ON THE TRAY



0 without column 6 with column



*S-38 LEFT



*S-39 LEFT

FINISHES GLASS

RASO-FILO	MODEL	LENGTH	WIDTH	VERSUM	COLUMN	PROFILES	TRANSPARENT - F	FUMÈ - N	EXTRA-CHIARO - Q	DELIVERY
CF (FILO) CR (RASO)	*S-38-39	1026 - C	700 - A / 750 - B	D - S	-	E	1.743	2.092	2.267	4-5 weeks
		1026 - C	800 - C / 850 - D	D - S	-	Z	1.743	2.092	2.267	4-5 weeks
		1026 - C	900 - E / 950 - F	D - S	-	Q	1.918	2.303	2.492	4-5 weeks
CF (FILO) CR (RASO)	*S-38-39	1224 - E	700 - A / 750 - B	D - S	-	E	1.895	2.275	2.463	4-5 weeks
		1224 - E	800 - C / 850 - D	D - S	-	Z	1.895	2.275	2.463	4-5 weeks
		1224 - E	900 - E / 950 - F	D - S	-	Q	2.085	2.502	2.709	4-5 weeks
CF (FILO) CR (RASO)	*S-38-39	1422 - G	700 - A / 750 - B	D - S	-	E	1.895	2.275	2.463	4-5 weeks
		1422 - G	800 - C / 850 - D	D - S	-	Z	1.895	2.275	2.463	4-5 weeks
		1422 - G	900 - E / 950 - F	D - S	-	Q	2.085	2.502	2.709	4-5 weeks
CF (FILO) CR (RASO)	*S-38-39	1620 - I	700 - A / 750 - B	D - S	-	E	1.895	2.275	2.463	4-5 weeks
		1620 - I	800 - C / 850 - D	D - S	-	Z	1.895	2.275	2.463	4-5 weeks
		1620 - I	900 - E / 950 - F	D - S	-	Q	2.085	2.502	2.709	4-5 weeks

SHOWER COLUMN

5C036/Q

FINISHES

ALL. BRILLIANT CHROME

2.617

ES: CF38CA50/EF

RASO/FILO DOCCIA 41

GLASS FINISHES



Transparent glass "F"



Fumè glass "N"



Extra-clear Glass "Q"

PROFILE FINISHES



Matt White Aluminum "E"

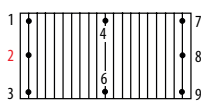


Matt Black Aluminum "Z"

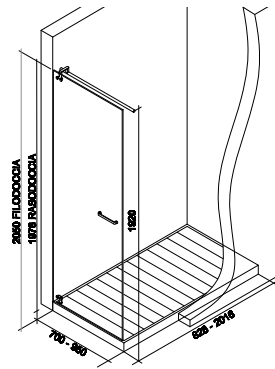


Brilliant Chrome Aluminium "Q"

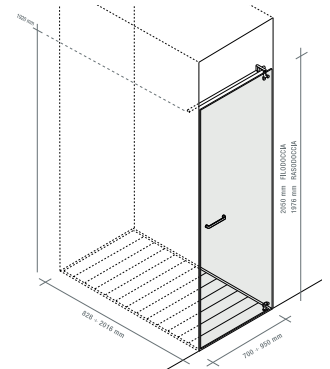
COLUMN POSITION ON THE TRAY



0 without column 2 with column



*S LEFT



*D RIGHT

FINISHES GLASS

RASO-FILO	MODEL	WIDTH	LENGTH	VERSUM	COLUMN	PROFILES	TRANSPARENT - F	FUMÈ - N	EXTRA-CHIARO - Q	DELIVERY
CF (FILO) CR (RASO)	41	700 - A / 750 - B / 800 - C 850 - D / 900 - E / 950 - F	927 - B	D - S	-	E	1.392	1.741	1.916	4-5 weeks
			927 - B	D - S	-	Z	1.392	1.741	1.916	4-5 weeks
			927 - B	D - S	-	Q	1.568	1.917	2.143	4-5 weeks
CF (FILO) CR (RASO)	41	700 - A / 750 - B / 800 - C 850 - D / 900 - E / 950 - F	1026 - C	D - S	-	E	1.392	1.741	1.916	4-5 weeks
			1026 - C	D - S	-	Z	1.392	1.741	1.916	4-5 weeks
			1026 - C	D - S	-	Q	1.568	1.917	2.143	4-5 weeks
CF (FILO) CR (RASO)	41	700 - A / 750 - B / 800 - C 850 - D / 900 - E / 950 - F	1224 - E	D - S	-	E	1.392	1.741	1.916	4-5 weeks
			1224 - E	D - S	-	Z	1.392	1.741	1.916	4-5 weeks
			1224 - E	D - S	-	Q	1.568	1.917	2.143	4-5 weeks
CF (FILO) CR (RASO)	41	700 - A / 750 - B / 800 - C 850 - D / 900 - E / 950 - F	1422 - G	D - S	-	E	1.392	1.741	1.916	4-5 weeks
			1422 - G	D - S	-	Z	1.392	1.741	1.916	4-5 weeks
			1422 - G	D - S	-	Q	1.568	1.917	2.143	4-5 weeks

SHOWER COLUMN

5C036/Q

FINISHES

ALL. BRILLIANT CHROME

2.617

ES: CF41ABD0/EF

208

PRICE LIST EXPRESSED IN POINTS

megius

RASO/FILO DOCCIA 37

GLASS FINISHES



Transparent glass "F"



Fumè glass "N"



Extra-clear Glass "Q"

PROFILE FINISHES



Matt White Aluminium "E"

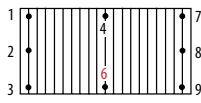


Matt Black Aluminium "Z"

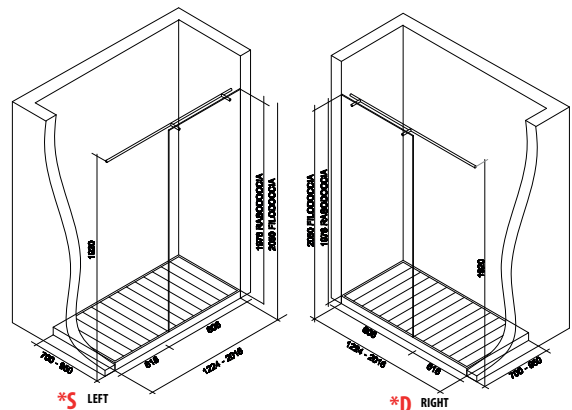


Brilliant Chrome Aluminium "Q"

COLUMN POSITION ON THE TRAY



0 without column 6 with column



FINISHES GLASS

RASO-FILO	MODEL	LENGTH	WIDTH	VERSUM	COLUMN	PROFILES	TRANSPARENT - F	FUMÈ - N	EXTRA-CHIARO - Q	DELIVERY
CF (FILO) CR (RASO)	37	1422 - G	700 - A / 750 - B	D - S	-	E	954	1.145	1.239	4-5 weeks
		1422 - G	800 - C / 850 - D	D - S	-	Z	954	1.145	1.239	4-5 weeks
		1422 - G	900 - E / 950 - F	D - S	-	Q	1.048	1.260	1.363	4-5 weeks
CF (FILO) CR (RASO)	37	1620 - I	700 - A / 750 - B	D - S	-	E	954	1.145	1.239	4-5 weeks
		1620 - I	800 - C / 850 - D	D - S	-	Z	954	1.145	1.239	4-5 weeks
		1620 - I	900 - E / 950 - F	D - S	-	Q	1.048	1.260	1.363	4-5 weeks
CF (FILO) CR (RASO)	37	1818 - M	700 - A / 750 - B	D - S	-	E	1.028	1.229	1.334	4-5 weeks
		1818 - M	800 - C / 850 - D	D - S	-	Z	1.028	1.229	1.334	4-5 weeks
		1818 - M	900 - E / 950 - F	D - S	-	Q	1.128	1.354	1.467	4-5 weeks
CF (FILO) CR (RASO)	37	2016 - O	700 - A / 750 - B	D - S	-	E	1.028	1.229	1.334	4-5 weeks
		2016 - O	800 - C / 850 - D	D - S	-	Z	1.028	1.229	1.334	4-5 weeks
		2016 - O	900 - E / 950 - F	D - S	-	Q	1.128	1.354	1.467	4-5 weeks

SHOWER COLUMN

5C036/Q

FINISHES

ALL. BRILLIANT CHROME

2.617

ES: CF 37 G A D O / EF

RASO/FILO DOCCIA 42

GLASS FINISHES



Transparent glass "F"



Fumè glass "N"



Extra-clear Glass "Q"

PROFILE FINISHES



Matt White Aluminium "E"

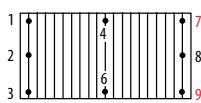


Matt Black Aluminium "Z"

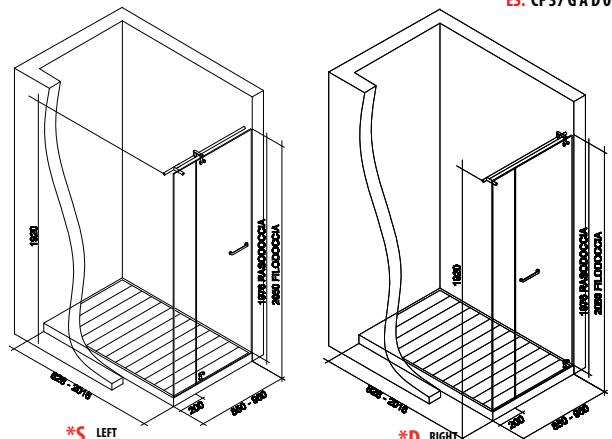


Brilliant Chrome Aluminium "Q"

COLUMN POSITION ON THE TRAY



0 without column 7 9 with column



FINISHES GLASS

RASO-FILO	MODEL	WIDTH	LENGTH	VERSUM	COLUMN	PROFILES	TRANSPARENT - F	FUMÈ - N	EXTRA-CHIARO - Q	DELIVERY
CF (FILO) CR (RASO)	42	700 - A / 750 - B / 800 - C 850 - D / 900 - E / 950 - F	927 - B	D - S	-	E	1.948	2.338	2.533	4-5 weeks
			927 - B	D - S	-	Z	1.948	2.338	2.533	4-5 weeks
			927 - B	D - S	-	Q	2.143	2.571	2.787	4-5 weeks
CF (FILO) CR (RASO)	42	700 - A / 750 - B / 800 - C 850 - D / 900 - E / 950 - F	1026 - C	D - S	-	E	1.948	2.338	2.533	4-5 weeks
			1026 - C	D - S	-	Z	1.948	2.338	2.533	4-5 weeks
			1026 - C	D - S	-	Q	2.143	2.571	2.787	4-5 weeks
CF (FILO) CR (RASO)	42	700 - A / 750 - B / 800 - C 850 - D / 900 - E / 950 - F	1224 - E	D - S	-	E	1.948	2.338	2.533	4-5 weeks
			1224 - E	D - S	-	Z	1.948	2.338	2.533	4-5 weeks
			1224 - E	D - S	-	Q	2.143	2.571	2.787	4-5 weeks
CF (FILO) CR (RASO)	42	700 - A / 750 - B / 800 - C 850 - D / 900 - E / 950 - F	1422 - G	D - S	-	E	1.948	2.338	2.533	4-5 weeks
			1422 - G	D - S	-	Z	1.948	2.338	2.533	4-5 weeks
			1422 - G	D - S	-	Q	2.143	2.571	2.787	4-5 weeks

SHOWER COLUMN

5C036/Q

FINISHES

ALL. BRILLIANT CHROME

2.617

ES: CR 42 A B D O / EF

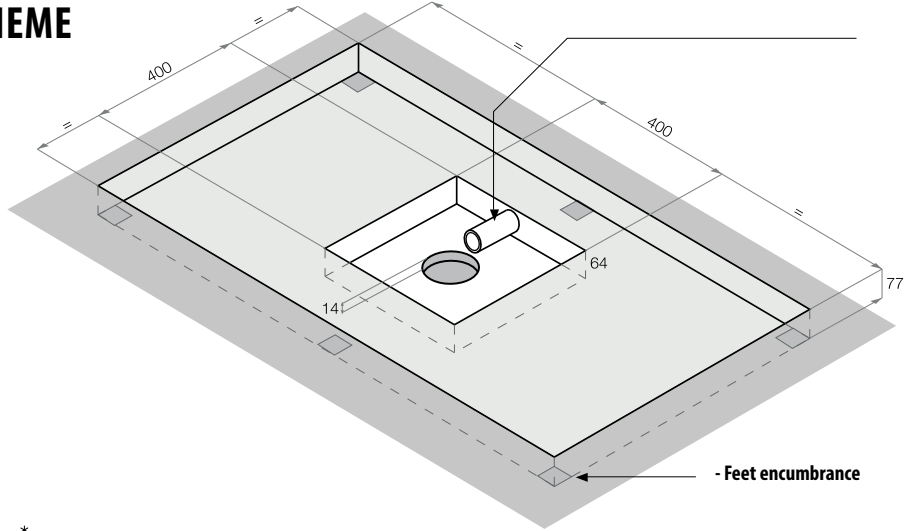
FILO-DOCCIA

RASODOCCIA SHOWER TRAY SCHEME

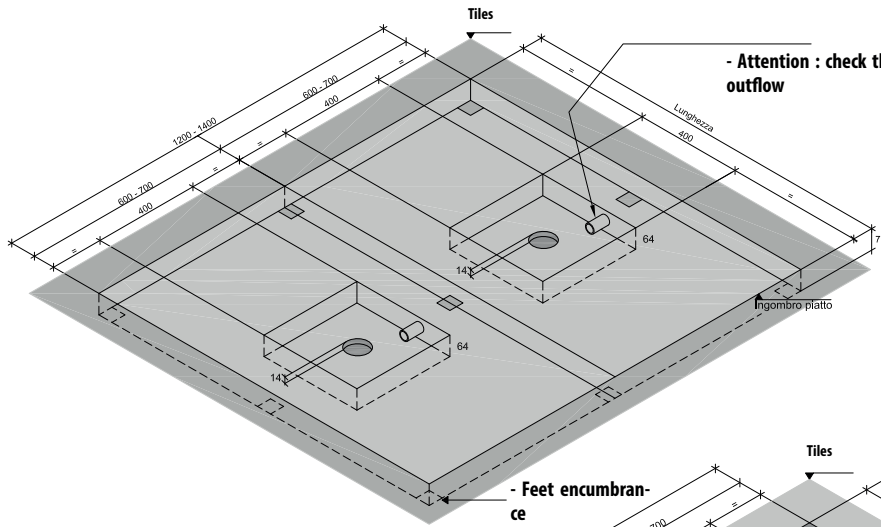
SHOWER TRAY WITH CENTRAL BLOW PIPE

The scheme shows the encumbrance of the shower tray with the dimensions of the excavation for the drain. The location of the pipe is not binding, it is important that the pipe is minimum 2 cm under the level of the drain. Please see the enclosed picture:

- Attention : check the inclination of the pipe to obtain a correct outflow

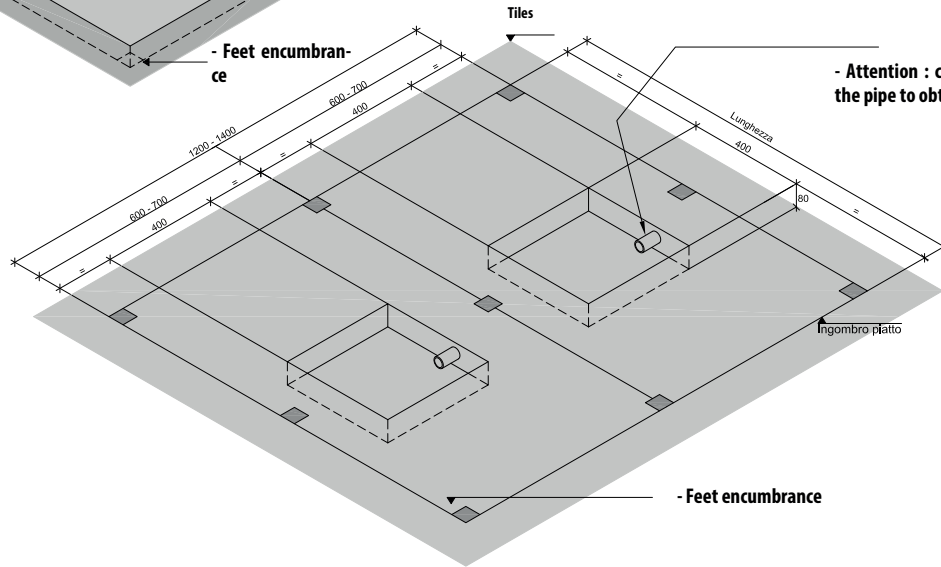


- Feet encumbrance



- Attention : check the inclination of the pipe to obtain a correct outflow

- Feet encumbrance



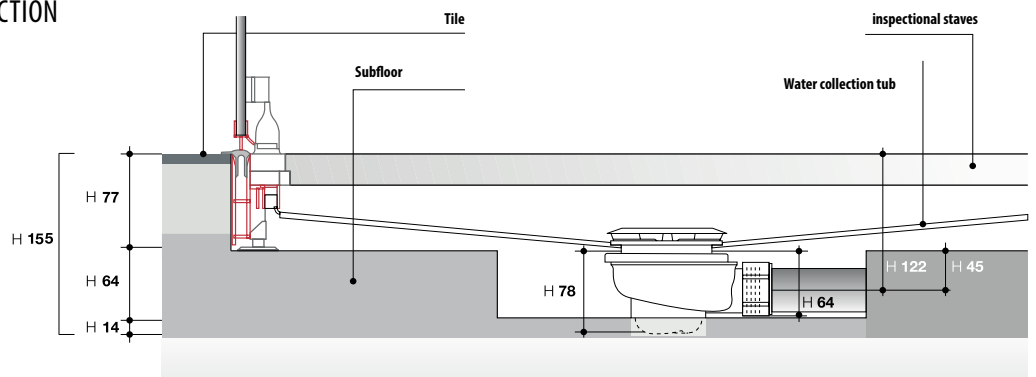
- Attention : check the inclination of the pipe to obtain a correct outflow

- Feet encumbrance

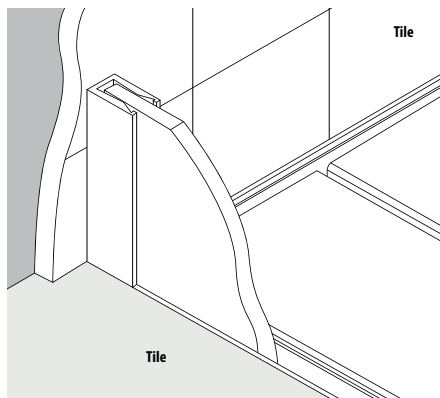
ATTENTION: The quantity of the feet depends on the measure of the shower tray

EXCAVATION AND SHOWER TRAY SECTION

WARNING: check that the slope of the hose is at least 2%. Drain pipe \varnothing 40 mm.

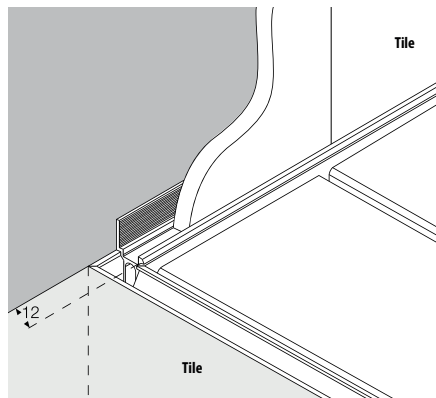


INCREASED PROFILE



The "U" profile of 27 mm allows an internal adjustability of 14 mm (+/- 7mm)

STANDARD PROFILE



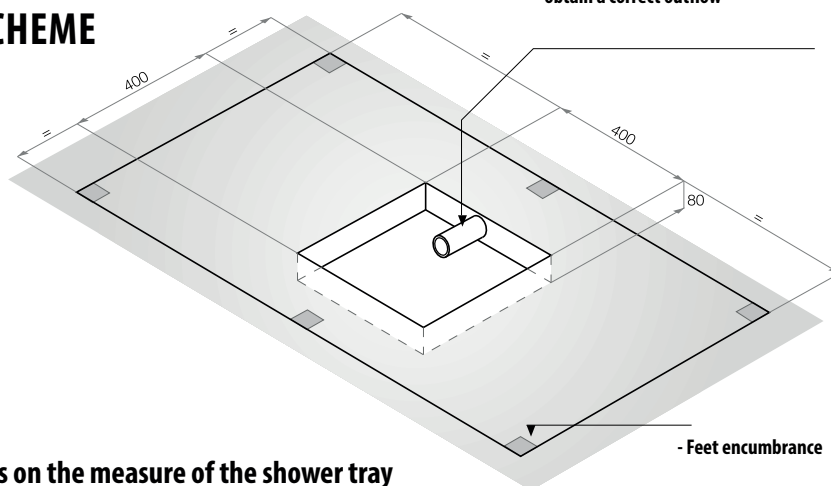
The shower tray is built-in on the floor and also on the wall of 12 mm. The special profile welcomes the coating giving the visual effect of a complete built-in installation. The coating must have minimum thickness of 6 mm and a maximum of 11 mm.

RASO-DOCCIA

RASODOCCIA SHOWER TRAY SCHEME

SHOWER TRAY WITH CENTRAL BLOW PIPE

The scheme shows the encumbrance of the shower tray with the dimensions of the excavation for the drain. The location of the pipe is not binding, it is important that the pipe is minimum 2 cm under the level of the drain. Please see the enclosed picture:

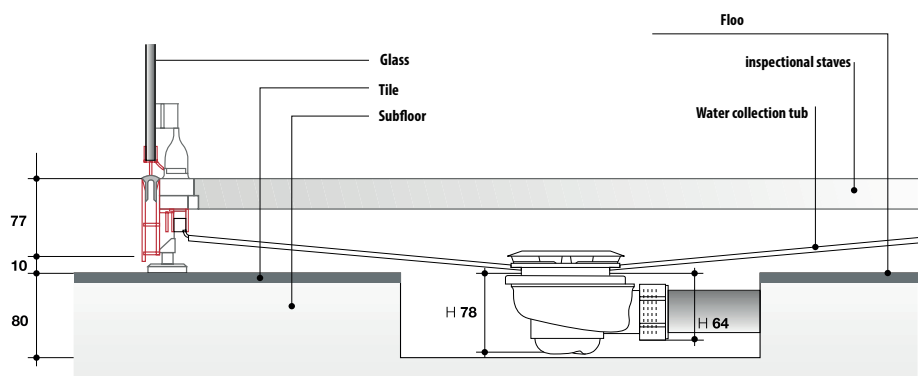


- Attention : check the inclination of the pipe to obtain a correct outflow

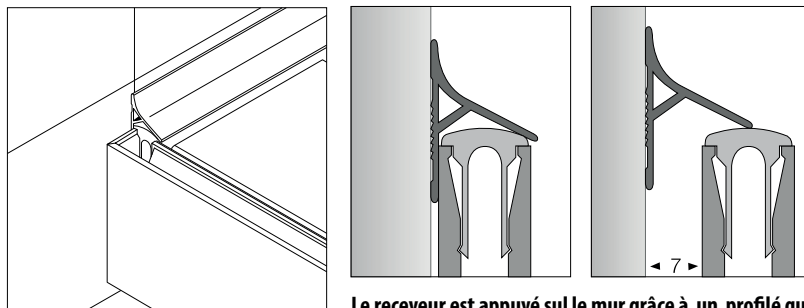
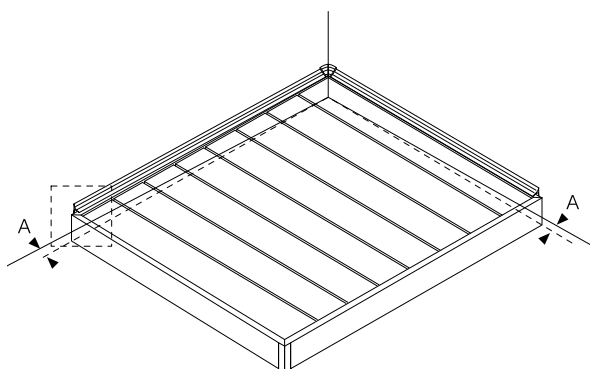
ATTENTION: The quantity of the feet depends on the measure of the shower tray

EXCAVATION AND SHOWER TRAY SECTION

WARNING: check that the slope of the hose is at least 2%. Drain pipe \varnothing 40 mm.



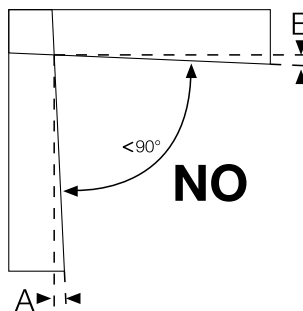
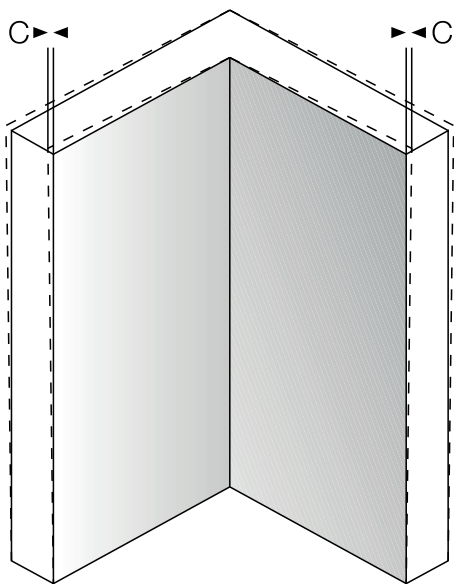
FOR OUT OF SQUARE



Le receveur est appuyé sur le mur grâce à un profilé qui garantit le flux d'eau vers la partie interne du receveur. Le détail note que ce profilé permet une réglage de l'aplomb.

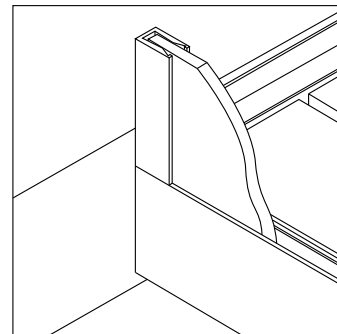
INCREASED PROFILE

- The Filodoccia with the increased profile PRF001 allows a compensation of 7mm of out of square. See on the drawings A+C and / or B+C



- THE SHOWER TRAY CANNOT BE INSTALLED IF THE OUT OF SQUARE CREATES A CORNER INFERIOR TO 90°

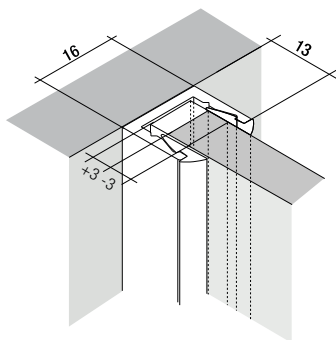
The "U" profile of 27 mm allows an internal adjustability of 14 mm (+/- 7mm)



RASO/FILO DOCCIA

WALL PROFILES (ON REQUEST)

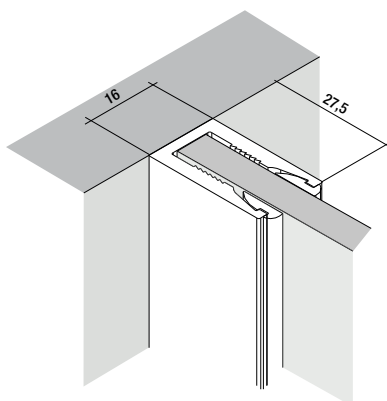
- The RASODOCCIA + FILODOCCIA system includes, when required or on request, a special wall adjustment profile made of aluminum. Available with or without flap.



COD.	MEASURE	
PRF011/E	1.975 mm	56
PRF011/Z	1.975 mm	56
PRF011/Q	1.975 mm	61

WALL ADJUSTMENT PROFILES (STANDARD)

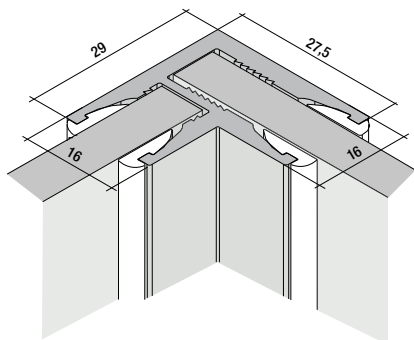
- The big vertical adjustment profile, which is standard on the RASODOCCIA + FILODOCCIA, allows the adjustment of 14 mm of possible out of square.



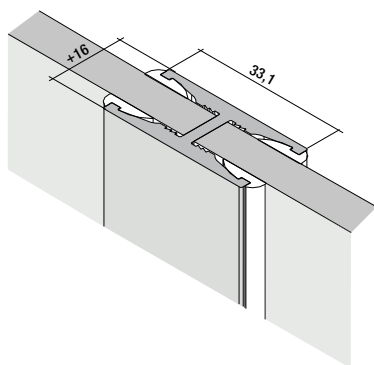
COD.	MEASURE	
PRF001/E	1975 mm	64
PRF001/Z	1975 mm	64
PRF001/Q	1975 mm	71

CORNER AND ALLIGNED UNION PROFILES (ON REQUEST)

- When required or on request, both RASODOCCIA + FILODOCCIA have corner or aligned union profiles which allow the union of the glass sheets.



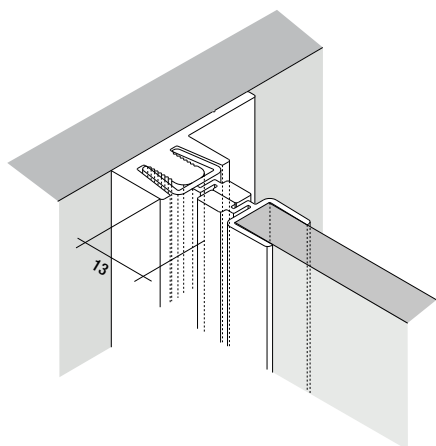
COD.	MEASURE	
PRF002/E	1975 mm	72
PRF002/Z	1975 mm	72
PRF002/Q	1975 mm	86



COD.	MEASURE	
PRF003/E	1975 mm	64
PRF003/Z	1975 mm	64
PRF003/Q	1975 mm	71

DOOR CLOSING PROFILES (STANDARD)

- On the RASODOCCIA + FILODOCCIA with hinged door there is a special aluminum closing profile (wall side) and a sealing gasket in PVC (handle side)



COD.	MEASURE	
PRF005/E	1975 mm	72
PRF005/Z	1975 mm	72
PRF005/Q	1975 mm	86

PVC

COD.	MEASURE	
PRF005/E	1975 mm	72

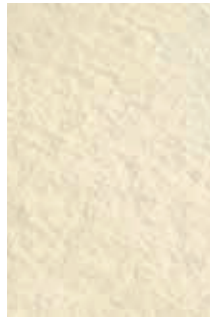
SHOWER TRAY



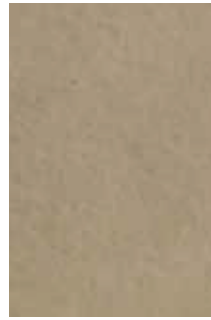
White "B"



Pietra White "Z"



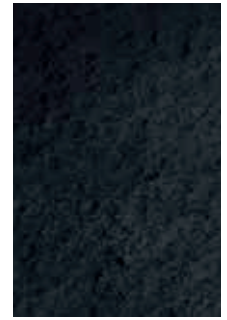
Pietra Tortora "U"



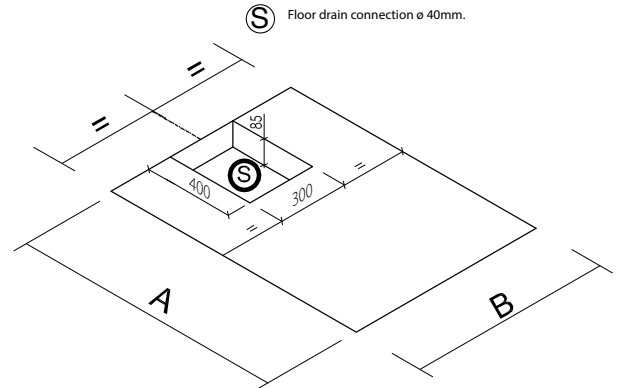
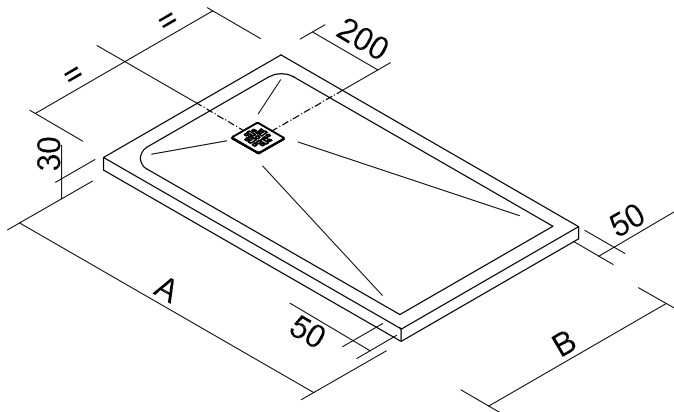
Pietra Cappuccino "E"



Pietra Fumo "H"



Pietra Karbon "J"



MEASURE	A x B	CODE		DELIVERY
100x70	A x B	TCX1070/_	481	5-6 weeks
100x80	A x B	TCX1080/_	499	5-6 weeks
120x80	A x B	TCX1280/_	555	2-3 weeks
140x80	A x B	TCX1480/_	609	5-6 weeks
100x90	A x B	TCX1090/_	517	5-6 weeks
120x90	A x B	TCX1290/_	593	5-6 weeks
140x90	A x B	TCX1490/_	637	5-6 weeks
140x100	A x B	TCX1410/_	839	5-6 weeks

PHYSICAL FEATURES

Hole for drain for standards type Geberit ø 90 mm

Height 30 mm

Shower tray profile 50 mm

REPAIRATION KIT

Bicomponent resin, sandpaper COD. A00053/_ 72 5-6 weeks

TECHNICAL FEATURES

Reversible


Drain included

Coloured metal drain cover included

Shower tray made from a mixture of minerals and resins

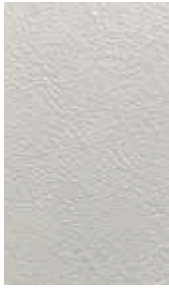
OPTIONAL

Stainless steel drain cover

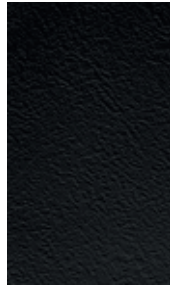
	COD.		
	A00054/A	37	5-6 weeks

ZEN LAYER PANEL

COVER



White "E"



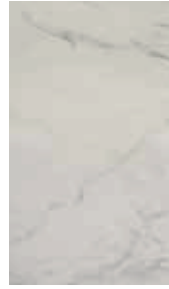
Black "Z"



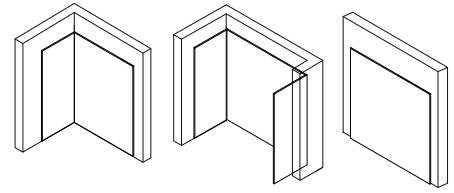
Grey "G"



Marquina Black "2"



White Marble "5"
replace "Z_N_/2" with "Z_N_/5"



Layer is a Zen multilayer panel consisting of 2 outer aluminum sheets with 6mm thick PVC inside, available in different finishes: white, White Marble, grey, black and black Marquina.

CORNER

MEASURE	CODE	PROFILES		DELIVERY
1000X700	ZPA00107/E	MATT WHITE	1.596	5-6 weeks
	ZPA00107/Z	MATT BLACK	1.596	5-6 weeks
	ZPA00107/G	ALU. BRUSHED SILVER	1.596	5-6 weeks
	ZPA00107/2	MARQUINA BLACK	1.596	5-6 weeks
1000X800	ZPA00108/E	MATT WHITE	1.596	5-6 weeks
	ZPA00108/Z	MATT BLACK	1.596	5-6 weeks
	ZPA00108/G	ALU. BRUSHED SILVER	1.596	5-6 weeks
	ZPA00108/2	MARQUINA BLACK	1.596	5-6 weeks
1200X800	ZPA00128/E	MATT WHITE	1.596	5-6 weeks
	ZPA00128/Z	MATT BLACK	1.596	5-6 weeks
	ZPA00128/G	ALU. BRUSHED SILVER	1.596	5-6 weeks
	ZPA00128/2	MARQUINA BLACK	1.596	5-6 weeks
1400X800	ZPA00148/E	MATT WHITE	1.726	5-6 weeks
	ZPA00148/Z	MATT BLACK	1.726	5-6 weeks
	ZPA00148/G	ALU. BRUSHED SILVER	1.726	5-6 weeks
	ZPA00148/2	MARQUINA BLACK	1.726	5-6 weeks
1000X900	ZPA00109/E	MATT WHITE	1.596	5-6 weeks
	ZPA00109/Z	MATT BLACK	1.596	5-6 weeks
	ZPA00109/G	ALU. BRUSHED SILVER	1.596	5-6 weeks
	ZPA00109/2	MARQUINA BLACK	1.596	5-6 weeks
1200X900	ZPA00129/E	MATT WHITE	1.596	5-6 weeks
	ZPA00129/Z	MATT BLACK	1.596	5-6 weeks
	ZPA00129/G	ALU. BRUSHED SILVER	1.596	5-6 weeks
	ZPA00129/2	MARQUINA BLACK	1.596	5-6 weeks
1400X900	ZPA00149/E	MATT WHITE	1.726	5-6 weeks
	ZPA00149/Z	MATT BLACK	1.726	5-6 weeks
	ZPA00149/G	ALU. BRUSHED SILVER	1.726	5-6 weeks
	ZPA00149/2	MARQUINA BLACK	1.726	5-6 weeks
1400X1000	ZPA00141/E	MATT WHITE	1.726	5-6 weeks
	ZPA00141/Z	MATT BLACK	1.726	5-6 weeks
	ZPA00141/G	ALU. BRUSHED SILVER	1.726	5-6 weeks
	ZPA00141/2	MARQUINA BLACK	1.726	5-6 weeks

CUSTOMIZED SIZE: (on request)

Width max. 1800x1200 mm - height max. 2200 mm

3 SIDE

MEASURE	CODE	PROFILES		DELIVERY
1000	ZPP00100/E	MATT WHITE	928	5-6 weeks
	ZPP00100/Z	MATT BLACK	928	5-6 weeks
	ZPP00100/G	ALU. BRUSHED SILVER	928	5-6 weeks
	ZPP00100/2	MARQUINA BLACK	928	5-6 weeks
1200	ZPP00120/E	MATT WHITE	928	5-6 weeks
	ZPP00120/Z	MATT BLACK	928	5-6 weeks
	ZPP00120/G	ALU. BRUSHED SILVER	928	5-6 weeks
	ZPP00120/2	MARQUINA BLACK	928	5-6 weeks
1400	ZPP00140/E	MATT WHITE	1.058	5-6 weeks
	ZPP00140/Z	MATT BLACK	1.058	5-6 weeks
	ZPP00140/G	ALU. BRUSHED SILVER	1.058	5-6 weeks
	ZPP00140/2	MARQUINA BLACK	1.058	5-6 weeks

CUSTOMIZED SIZE: (on request)

Width max. 1800 mm - height max. 2200 mm

NICHE

PRICE LIST WITH POINTS

MEASURE	CODE	PROFILES		DELIVERY
1000X700X700	ZPN00107/E	MATT WHITE	2.342	5-6 weeks
	ZPN00107/Z	MATT BLACK	2.342	5-6 weeks
	ZPN00107/G	ALU. BRUSHED SILVER	2.342	5-6 weeks
	ZPN00107/2	MARQUINA BLACK	2.342	5-6 weeks
1000X800X800	ZPN00108/E	MATT WHITE	2.342	5-6 weeks
	ZPN00108/Z	MATT BLACK	2.342	5-6 weeks
	ZPN00108/G	ALU. BRUSHED SILVER	2.342	5-6 weeks
	ZPN00108/2	MARQUINA BLACK	2.342	5-6 weeks
1200X800X800	ZPN00128/E	MATT WHITE	2.342	5-6 weeks
	ZPN00128/Z	MATT BLACK	2.342	5-6 weeks
	ZPN00128/G	ALU. BRUSHED SILVER	2.342	5-6 weeks
	ZPN00128/2	MARQUINA BLACK	2.342	5-6 weeks
1400X800X800	ZPN00148/E	MATT WHITE	2.472	5-6 weeks
	ZPN00148/Z	MATT BLACK	2.472	5-6 weeks
	ZPN00148/G	ALU. BRUSHED SILVER	2.472	5-6 weeks
	ZPN00148/2	MARQUINA BLACK	2.472	5-6 weeks
1000X900X900	ZPN00109/E	MATT WHITE	2.342	5-6 weeks
	ZPN00109/Z	MATT BLACK	2.342	5-6 weeks
	ZPN00109/G	ALU. BRUSHED SILVER	2.342	5-6 weeks
	ZPN00109/2	MARQUINA BLACK	2.342	5-6 weeks
1200X900X900	ZPN00129/E	MATT WHITE	2.342	5-6 weeks
	ZPN00129/Z	MATT BLACK	2.342	5-6 weeks
	ZPN00129/G	ALU. BRUSHED SILVER	2.342	5-6 weeks
	ZPN00129/2	MARQUINA BLACK	2.342	5-6 weeks
1400X900X900	ZPN00149/E	MATT WHITE	2.472	5-6 weeks
	ZPN00149/Z	MATT BLACK	2.472	5-6 weeks
	ZPN00149/G	ALU. BRUSHED SILVER	2.472	5-6 weeks
	ZPN00149/2	MARQUINA BLACK	2.472	5-6 weeks
1400X1000X1000	ZPN00141/E	MATT WHITE	2.472	5-6 weeks
	ZPN00141/Z	MATT BLACK	2.472	5-6 weeks
	ZPN00141/G	ALU. BRUSHED SILVER	2.472	5-6 weeks
	ZPN00141/2	MARQUINA BLACK	2.472	5-6 weeks

CUSTOMIZED SIZE: (on request)

Width max. 1800x1200x1200 mm - height max. 2200 mm

ATTENTION: PANELS LARGER THAN 1400 MM WILL BE SUPPLIED IN 2 ASSEMBLED PIECES.

ACCESSORIES AND COMPLEMENTS

STAVES



White "E"



Black "Z"



Iroko "L"



Teak "T"

FLAT DEPTH	STAVES	FINISHES	COD.		DELIVERY
700 mm	650 mm	MATT WHITE	ARFA001/E	53	4-5 weeks
		MATT BLACK	ARFA001/Z	53	4-5 weeks
		IROKO	ARF0001/L	53	4-5 weeks
		TEAK	ARF0001/T	89	4-5 weeks
750 mm	700 mm	MATT WHITE	ARFA002/E	54	4-5 weeks
		MATT BLACK	ARFA002/Z	54	4-5 weeks
		IROKO	ARF0002/L	54	4-5 weeks
		TEAK	ARF0002/T	91	4-5 weeks
800 mm	750 mm	MATT WHITE	ARFA003/E	55	4-5 weeks
		MATT BLACK	ARFA003/Z	55	4-5 weeks
		IROKO	ARF0003/L	55	4-5 weeks
		TEAK	ARF0003/T	93	4-5 weeks
850 mm	800 mm	MATT WHITE	ARFA004/E	56	4-5 weeks
		MATT BLACK	ARFA004/Z	56	4-5 weeks
		IROKO	ARF0004/L	56	4-5 weeks
		TEAK	ARF0004/T	96	4-5 weeks
900 mm	850 mm	MATT WHITE	ARFA005/E	57	4-5 weeks
		MATT BLACK	ARFA005/Z	57	4-5 weeks
		IROKO	ARF0005/L	57	4-5 weeks
		TEAK	ARF0005/T	98	4-5 weeks
950 mm	900 mm	MATT WHITE	ARFA006/E	59	4-5 weeks
		MATT BLACK	ARFA006/Z	59	4-5 weeks
		IROKO	ARF0006/L	59	4-5 weeks
		TEAK	ARF0006/T	100	4-5 weeks

ACCESSORIES AND COMPLEMENTS

STOOL HAMMAM



White "E"



Black "Z"



Iroko "L"



Teak "T"

A

FINISHES	COD.		DELIVERY
IROKO	AWB009/EL	324	4-5 weeks
	AWB009/ZL		
TEAK	AWB009/ET	480	4-5 weeks
	AWB009/ZT		

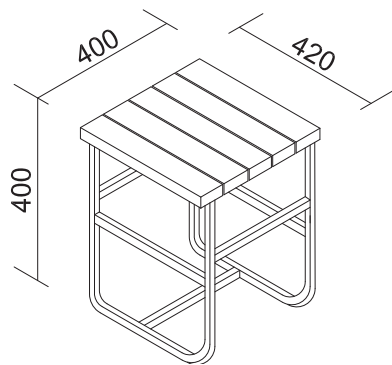
B

ALUMINIUM MATT WHITE	AWB050/E	383	4-5 weeks
ALUMINIUM BLACK	AWB050/Z	383	4-5 weeks

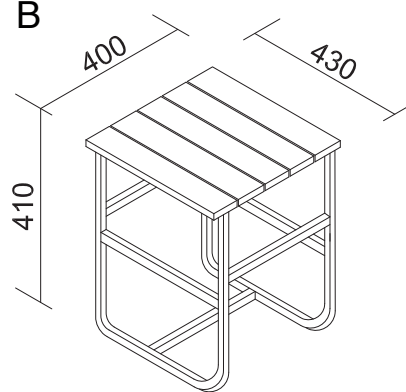
C

IROKO	AWB049/EL	480	4-5 weeks
	AWB049/ZL		
TEAK	AWB049/ET	713	4-5 weeks
	AWB049/ZT		

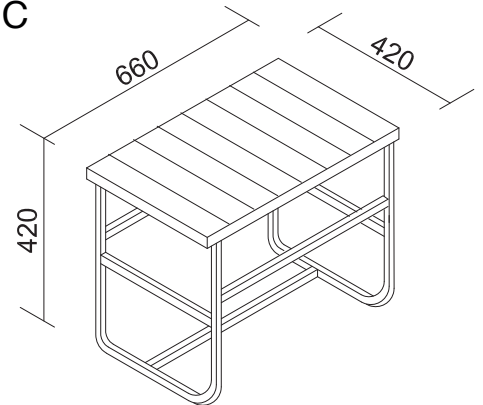
A



B



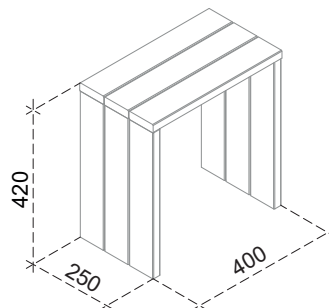
C



ACCESSORIES AND COMPLEMENTS



STOOL HAMMAM

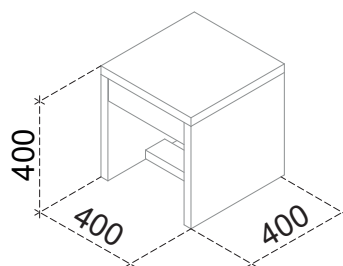


Wood Ash heat treated

FINISHES	COD.	DELIVERY	
Wood Ash heat treated	A6F357/L	680	4-5 weeks



STOOL SAUNA



FINISHES	COD.	DELIVERY	
Classic Fir	AWTA04/Z	330	4-5 weeks



BACKREST

COD.	DELIVERY	
A6F372	230	4-5 weeks

ACCESSORIES AND COMPLEMENTS



HOURGLASS

COD.		DELIVERY
A6F320	130	4-5 weeks



BUCKET AND LADLE

COD.		DELIVERY
A6F321	360	4-5 weeks



SAUNA THERMOHYGROMETER

COD.		DELIVERY
A6F322	231	4-5 weeks



HEADREST

COD.		DELIVERY
A6F371	110	4-5 weeks

GENERAL CONDITION

1. General condition

1.1 The following general contractual conditions are valid for all the orders placed with Megius SpA. Any other agreements are not binding unless they have been expressly recognised in writing by Megius SpA.

1.2 The conditions below are deemed to be accepted when the order is placed.

1.3 This general contractual conditions are also valid for all future business with the contracting party and override any international or national trade usages.

2. Offers and documentation

2.1 Offers must be formulated in writing by Megius SpA and are valid for 1 month from their date of execution unless otherwise agreed.

2.2 Megius SpA reserves the right of exclusion and the rights to all the offer documentation. Documentation must not be made available to third-parties.

2.3 The prices of the individual items in an offer are valid only in conjunction with the order confirmation for all items stated in the offer.

3. Orders

3.1 Orders shall be accepted by Megius SpA only if sent in writing and if each part is filled out.

3.2 Verbal or telephone agreements shall be binding only after they are stated in writing.

3.3 No order may be cancelled without the authorisation of Megius SpA, which reserves the right to charge for any expenses deriving thereof.

3.4 Amendments or cancellations of orders for standard or special materials (special sizes, particular silkscreening, coloured) are not accepted.

3.5 Megius SpA may also execute partial orders.

4. Prices

4.1 Unless otherwise stated in the order confirmation, the prices are in euro, exclude VAT. The transport is included on invoices of minimum 900 net. Lower than 900 net, 80 per shipment will be applied.

4.2 The price of each product includes the packaging. Wooden packaging or pallets that are required in order to ensure additional protection for the goods shall be added to the invoice.

4.3 Therefore the price does not include any expenses and additional costs, for example: shipment, taxes, assembly, installation, etc., which are at the purchaser's expense.

4.4 The price confirmed in the order by Megius SpA shall be binding only until delivery date stated in the order confirmation. Should the costs of materials increase in the period from the contract being stipulated to its execution, Megius SpA reserves the right to amend the prices accordingly.

5. Delivery conditions and times

5.1 Save the explicit stipulation in the contract for a different term contract, the shipment of goods bought and sold will be as specified for each product in the following ways: 1 dot indicates that we will ship within 6-10 business days, two dots indicate that we will ship within 11-15 business days, 3 dots indicate that we will ship in 16-20 days. The working days are counted from the confirmation of the order by Megius SpA. In counting the days indicated above, does not include the closing for company holidays (August) or pre holidays (Christmas holidays). Deadlines set for the shipment are not binding and in no case can be an excuse for late payments or claims for damages. Orders can be processed even partially.

5.2 In the event of force majeure, Megius SpA may delay the order execution for the time needed to resolve these circumstances. Force majeure includes strikes and any unforeseen difficulties in the supply of materials, such as adjournments.

5.3 The agreed delivery time shall be observed if each part of the order has been completed and the principle has fulfilled his payment obligations.

5.4 In accordance with art. 1510 of the Civil Code, the goods

travel at the principle's risk even when they are shipped at the expense of Megius SpA.

5.5 On delivery, the goods shall be checked immediately by the purchaser. Any incomplete or damaged deliveries shall be written immediately on the shipment bill, and Megius SpA shall be informed thereof in writing within 8 days of the goods being accepted (art. 1698).

6. Payment conditions

6.1 Payment shall be made in advance unless otherwise agreed.

6.2 If the payment is late, Megius SpA is not bound to execute any other deliveries regarding the order in question or any other order.

6.3 Bill of exchange and/or cheques shall not be accepted.

6.4 Irrespective of the agreed payment conditions, Megius SpA shall be paid immediately whenever there is evidence that the purchaser's credit is questionable.

7. Warranty

7.1 Megius SpA guarantees its shower enclosures for 24 months for the date of delivery to the sales outlet; this does not include the glass parts. The warranty covers any parts that are faulty on account of defective manufacture and/or the replacement of faulty parts only; any additional claims made by the principle are not covered.

7.2 The aforementioned warranty binds Megius SpA to the repair and/or the replacement of faulty parts only; any additional claims made by the principle are not covered.

7.3 The warranty does not cover damage caused by improper use or assembly of the product, or damage caused by shipment (contact the shipping agent for any such claims).

7.4 The right of warranty shall be exercised within the warranty period at the reseller from which the product was purchased and shall be valid only if accompanied by the certificate of warranty and by proof of purchase.

7.5 Repairs or modifications of any type made to the goods by the principle or by his employees frees Megius SpA from all its warranty responsibilities. Any repairs at Megius SpA's expense shall not be recognised unless they have been authorised in writing beforehand by Megius SpA.

7.6 Megius SpA's liability for damages on account of faulty products is governed in CE countries by national regulations that came into force with CE directive CEE nr° 1999/34/CE.

8. Collection and repair

8.1 As a general rule, no goods shall be collected and returned. Any exceptions shall be dealt with by Megius SpA only on receipt of a written request. Customized sizes, particular silk-screening or colours may not be returned.

8.2 Megius SpA shall not collect any goods without first sending written authorisation that they are to be collected and agreeing the sum to be credited.

8.3 Megius SpA shall not collect any goods without first sending written authorisation thereof.

9. Right of ownership

9.1 The goods shall remain the property of Megius SpA until they have been paid for completely (art. 1523 seg. CC).

10. Catalogues, leaflets, projects and the like

10.1 The photographs featured in the catalogues shall not be considered binding and the weights and sizes stated therein are for indication purposes only. The shower enclosures are produced with a variety of materials such as aluminum, plate glass, methacrylates, and synthetic materials. Megius SpA reserves the right to replace these materials with others of equal or better quality, and to make any modifications in the name of technical improvement.

10.2 Megius SpA shall not be liable for any printing errors, which in any case shall not constitute a reason for claims.

10.3 The weights and the number of packages in the list are approximate and non-binding subject to variation

11. Executive headquarters and competent court

11.1 The executive headquarters for each delivery and payment is Padua, even when the goods are delivered to another place.

11.2 Italian Law applies to all the contracts stipulated between Megius SpA and its contracting parties, and to all consequent rights.

11.3 Should one clause of the contractual conditions herein be declared null and void, this shall have no effect on the rest of the agreement.

11.4 Padua Law Court shall be the sole competent court for any disputes arising from a contract in accordance with art. 17 of the Bruxelles Convention.

12. Privacy

12.1 Under and according to art. 7 and 13 of the legislative nr° 196 of the 30.06.2003, Megius SpA declares that any information placed at its disposal by the principle shall be processed in accordance with current privacy legislation, i.e. only for purposes regarding current or future juristic acts.

N.B.: Megius SpA shall not be liable for any printing errors herein.



EXEN
sauna sliding



KARMA
sauna



TAO
sauna



ZEN COMBI DUO
sauna+hammam



STEAM-ME
soft



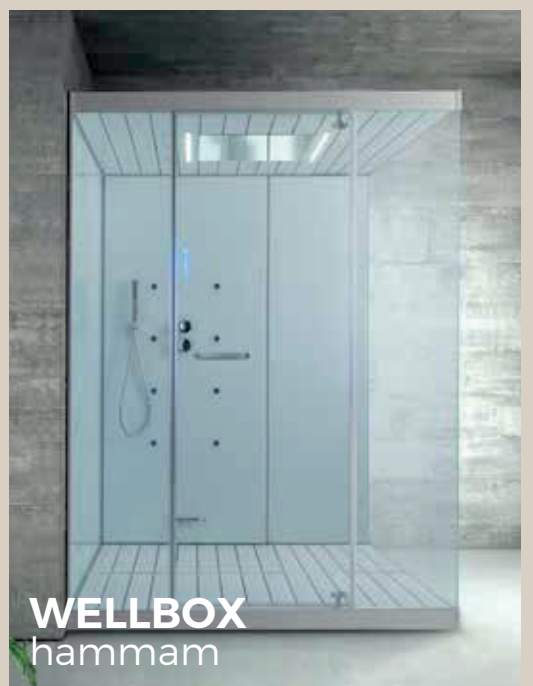
OASI
sauna outdoor



ZEN
shower



ZEN COMBI DUO
sauna+hammam



WELLBOX
hammam



NIRVANA
sauna



OASI
sauna outdoor



ZEN COMBI CORNER
sauna+hammam



EXEN
sauna



KARMA
sauna