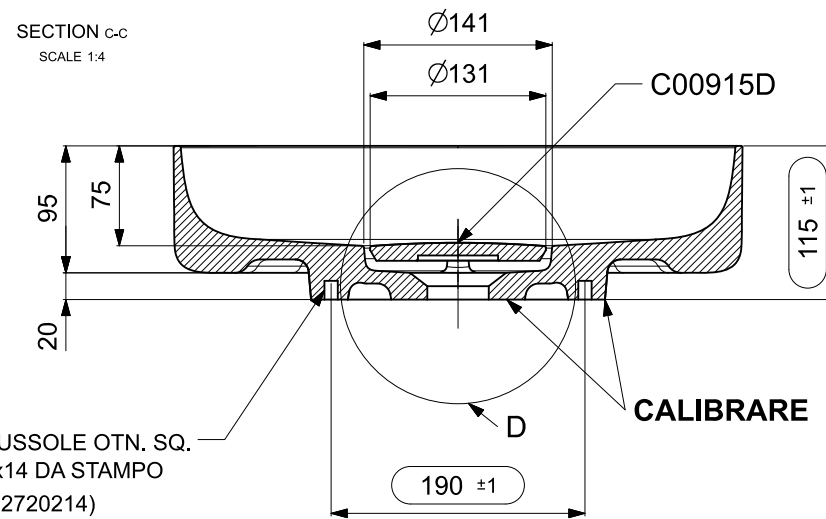
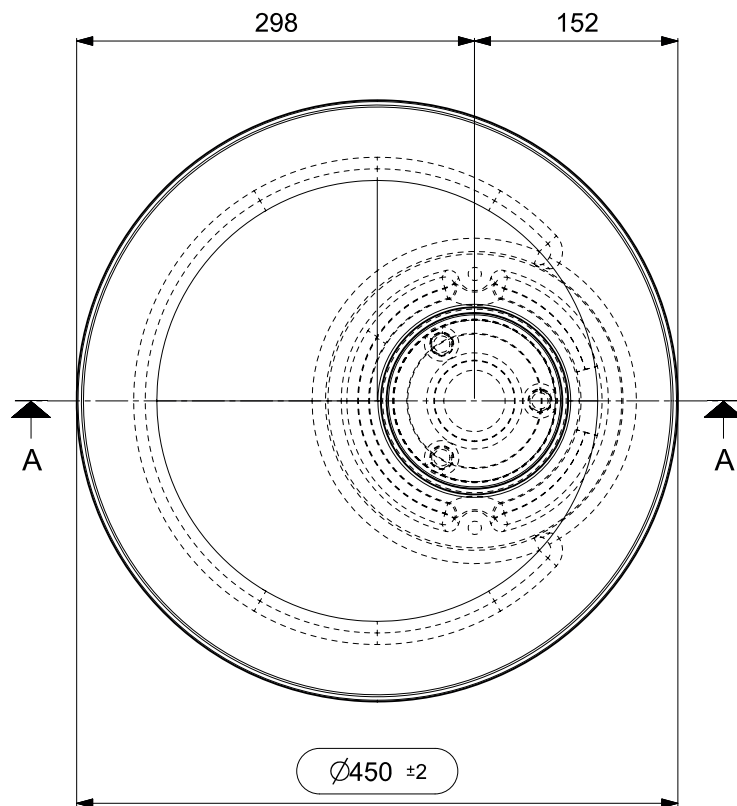


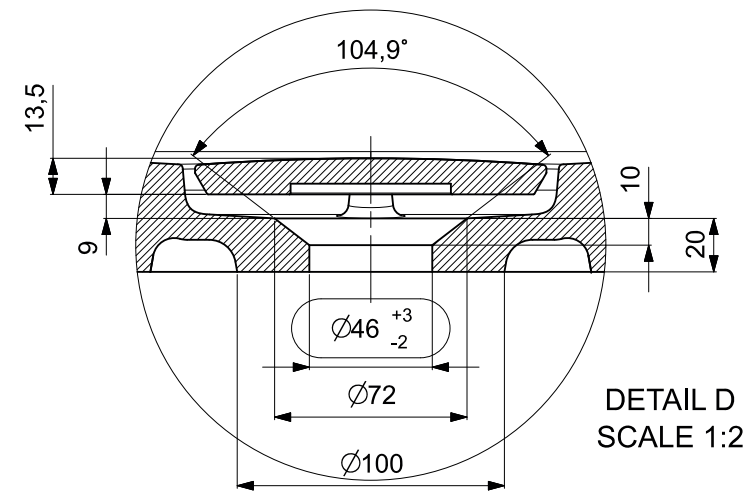
SECTION A-A
SCALE 1:4



N°2 BUSSOLE OTN. SQ.
M6x8x14 DA STAMPO
(COD.2720214)



SCALE 1:4



DETAIL D
SCALE 1:2

N° DATA/Date	FIRMA/drawn by	DESCRIZIONE REVISIONE/Revision description
1		

NOTE/Notes		N° STAMPO/Mould Number
.....		C01565A
.....		PROG.25-011
.....		PESO NETTO/Weight
.....		Kg.8 + 0,3
.....		DATA REV.0/Date Rev.0
.....		08/09/2025
CLIENTE/Client	MODELLO/Model	EMESSO/Drawn by
NICOS	HALO	CLARISSA B.
DENOMINAZIONE/Product Name		VERIFICATO/Checked by
LAVABO CIRCOLARE		A. MANIAGO