

Pos.	Code	Description	Material	Finish	Q.ty	Note
1	C320	Drain body G1" 1/4	CW617N	Chrome	1	
2	GU008	White gasket G1"1/4	PVC 65 ShA		1	
3	P320	Main body G1" 1/4	CW617N	Chrome	1	
4	GU007	Sponge gasket 1" 1/4	PE 30		1	
5	SKN32SA	Ø72 Corian free flow plug	Vario		1	
6	V023	Inox screw M6x80 DIN 7991 AISI 304	AISI A2		1	

**CGS** SISTEMI DI SCARICO

Via Torino 9/A - 28060 CUREGGIO (NO)  
TEL. 0322 - 839971 FAX 0322 - 839973

Rev. Redraft Date

SCALE: 1:1 SIZE: A4  
DATE: 14/09/2017

DRAWING. NR.:  
SKN350.01SA\_CD



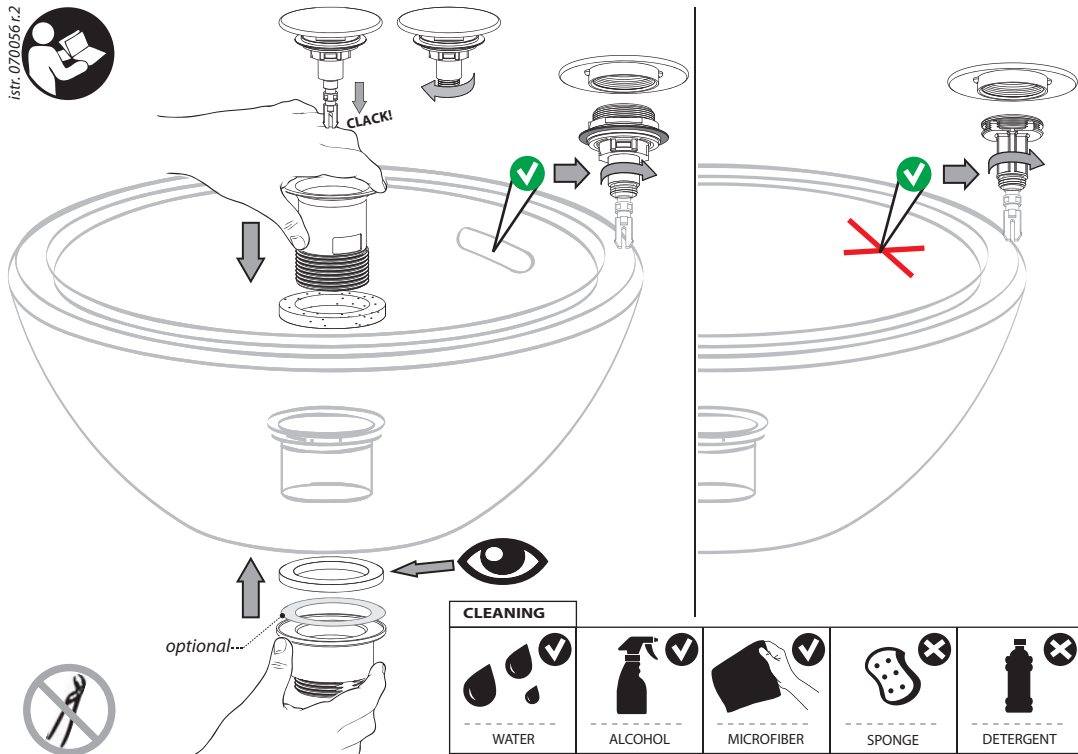
**Description:** Brass chrome free flow waste 1"1/4

CODE: SKN350.01SA  
DESIGNED BY: G.Ruco

MATERIAL:  
GENERAL TOLERANCE.: ISO 2768-m

The information contained in this drawing is the sole property of C.G.S s.r.l.  
Any reproduction in part or whole without permission is prohibited.

VERIFIED BY: G.Ruco  
APPROVED BY: F.Cerutti



CLACK!

optional...

## CLEANING



WATER



ALCOHOL



MICROFIBER

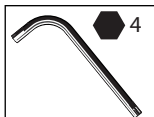
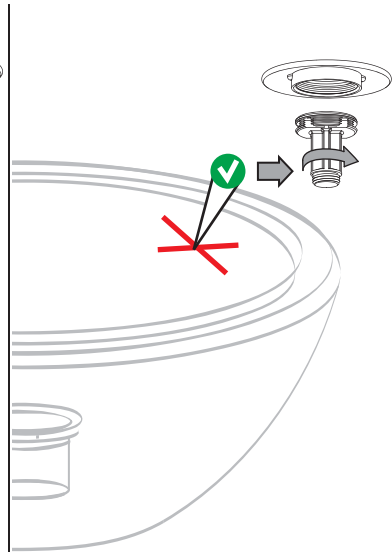
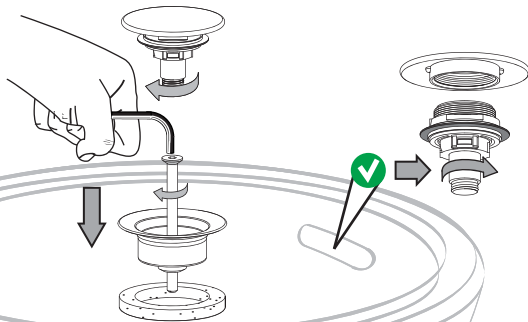


SPONGE

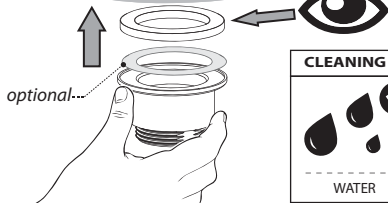


DETERGENT





Not included / Nicht enthalten  
 / Non incluso / Non inclus  
 / Nie zawarty / No incluido  
 / Nao incluido



**CLEANING**

WATER	ALCOHOL	MICROFIBER	SPONGE	DETERGENT