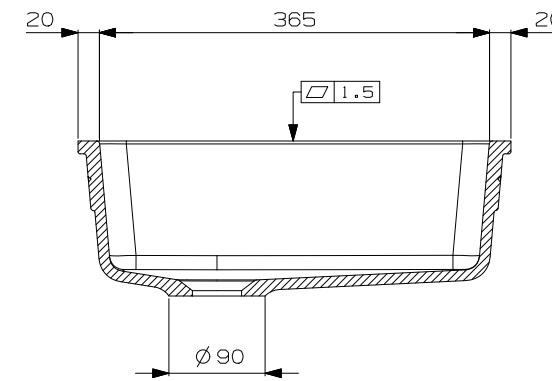
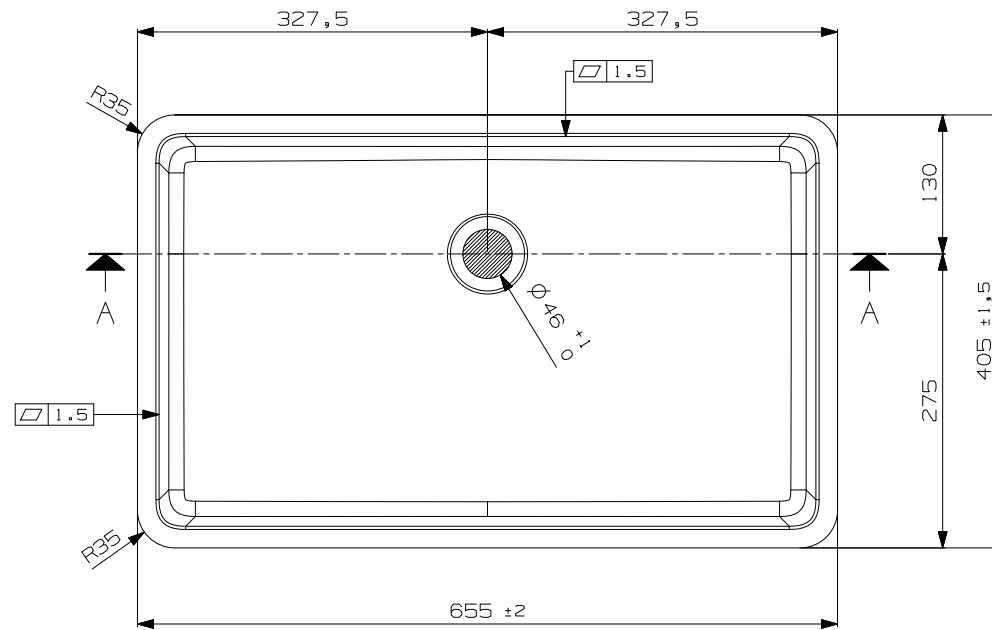


SECTION A-A
SCALE 1:5



SECTION B-B
SCALE 1:5



SCALE 1:5

N° DATA/Date	FIRMA/drawn by	DESCRIZIONE REVISIONE/Revision description
1		

NOTE/Notes		N° STAMPO/Mould Number
.....		C01332A
.....		PROG. 20-086
.....		PESO NETTO/Weight
.....		Kg. 8,5
.....		DATA REV.0/Date Rev.0
.....		12/03/2021
CLIENTE/Client	MODELLO/Model	EMESSO/Drawn by
THE SPLASH LAB	CHANNEL	FABRIZIO D.
DENOMINAZIONE/Product Name		VERIFICATO/Checked by
VASCHETTA SOTTOP. 615x365 S/TP		ANDREA M.

