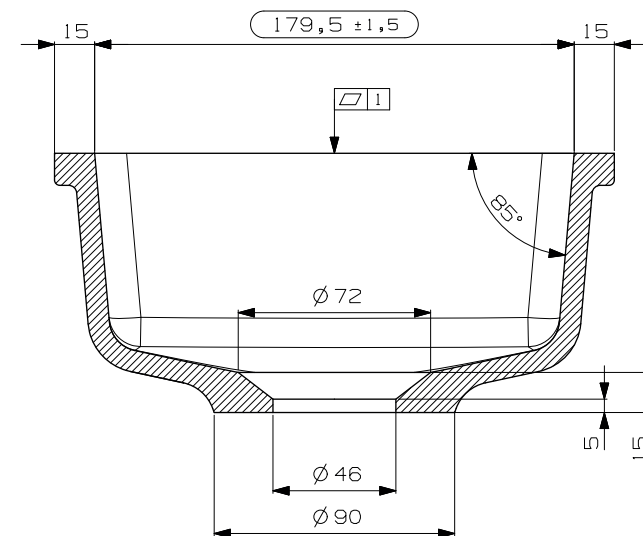
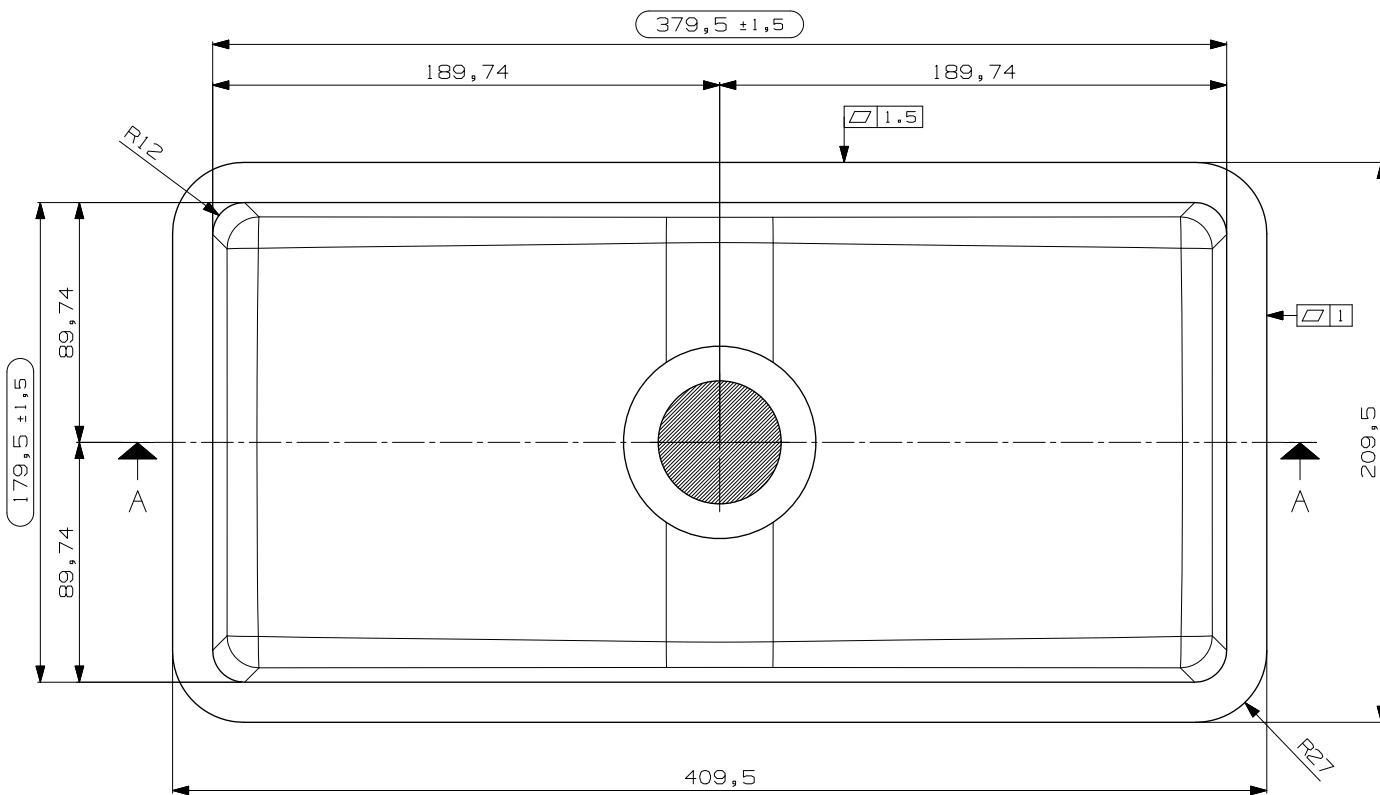


SECTION A-A
SCALE 1:2



SECTION B-B
SCALE 1:2



SCALE 1:2

N° DATA/Date	FIRMA/drawn by	DESCRIZIONE REVISIONE/Revision description
1 09/06/25	FABRIZIO D.	SCHEDA TECNICA

NOTE/Notes		N° STAMPO/Mould Number
		C01550A
		PROG. 17-096
		PESO NETTO/Weight Kg. 2,5 D. 1800 kg/m ³
		DATA REV.0/Date Rev.0 29/04/2025
CLIENTE/Client	MODELLO/Model	EMESSO/Drawn by
NICOS	LAVAMANI	FABRIZIO D.
DENOMINAZIONE/Product Name		VERIFICATO/Checked by
VASCHETTA SOTTOPIANO 380x180		A. MANIAGO