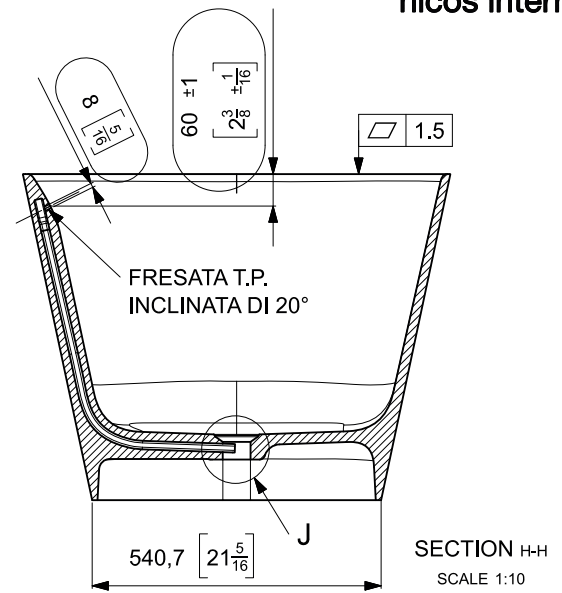
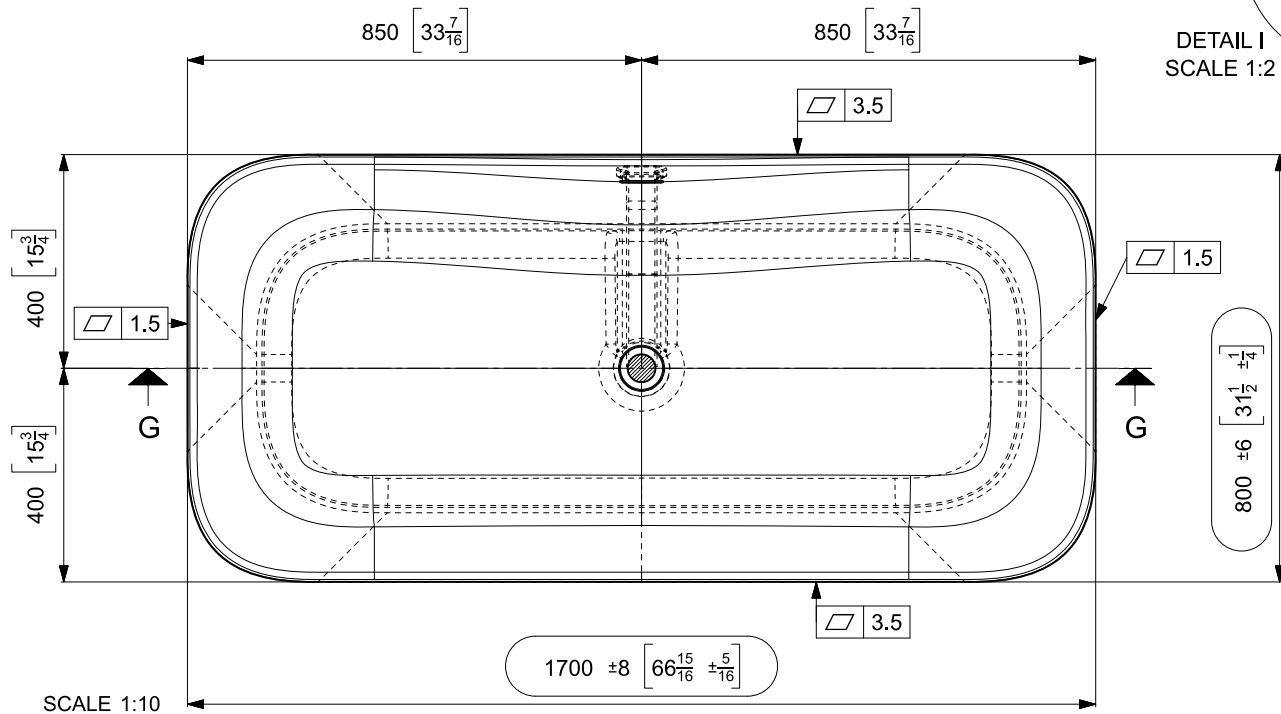


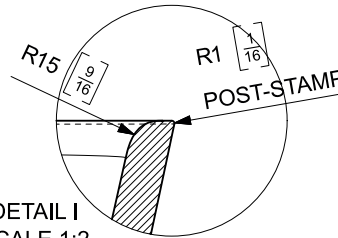
SECTION G-G
SCALE 1:10



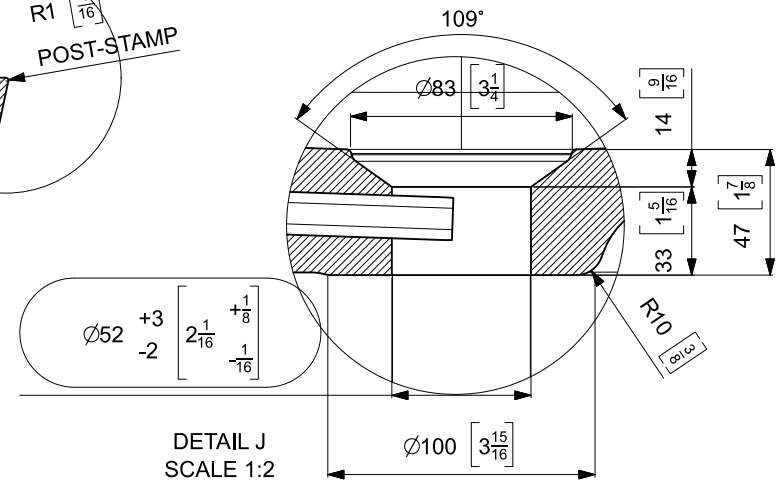
SECTION H-H
SCALE 1:10



SCALE 1:10



DETAIL I
SCALE 1:2



DETAIL J
SCALE 1:2

N°	DATA/Date	FIRMA/drawn by	DESCRIZIONE REVISIONE/Revision description
1			

NOTE/Notes		N° STAMPO/Mould Number
.....		C01415AB16
VEDI SCHEDE ALLEGATE		PROG. 22-031
.....		PESO NETTO/Weight
.....		Kg. 98,5 - lbs. 217
.....		D. 1300 kg/m3
.....		DATA REV.0/Date Rev.0
.....		10/10/2022
CLIENTE/Client	MODELLO/Model	EMESSO/Drawn by
NICOS INT.	AMALFI	S. SANTAROSSA
DENOMINAZIONE/Product Name		VERIFICATO/Checked by
BATHTUB		A. MANIAGO
TUTTE LE QUOTE E TOLLERANZE INDICATE IN QUESTO DISEGNO SI RIFERISCONO A MISURAZIONI EFFETTUATE AD UNA TEMPERATURA DEL MANUFATTO DI 20°C +/-5°C.		PROIEZIONE/Projection
All the dimensions and the tolerances of this drawing are referred to measurements taken with a temperature of the piece of 20°C +/-5°C.	